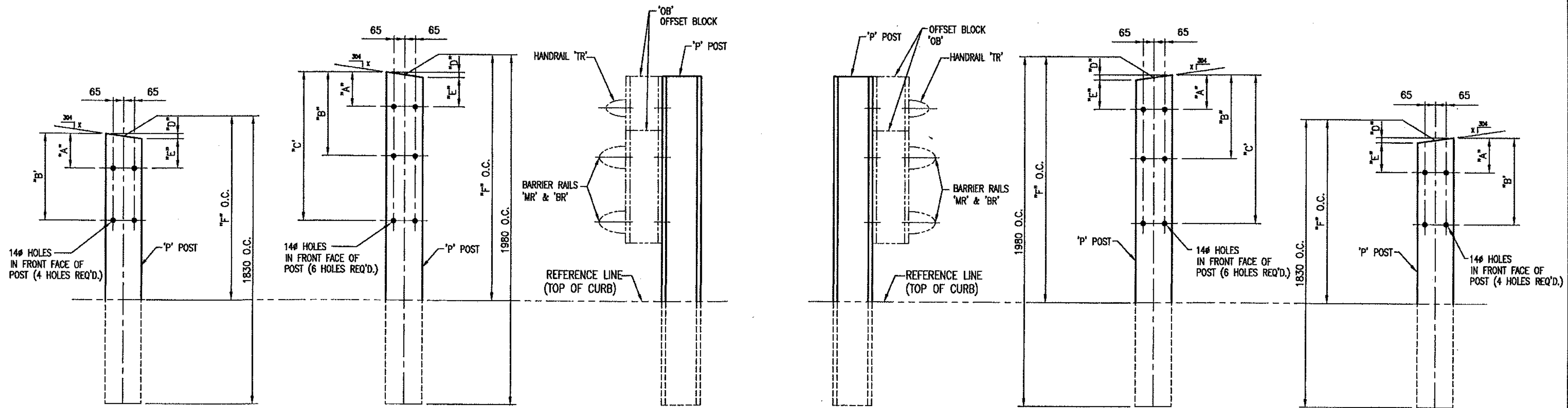


BRIDGE RAILING 96



P7, P12, P13

P8-P11

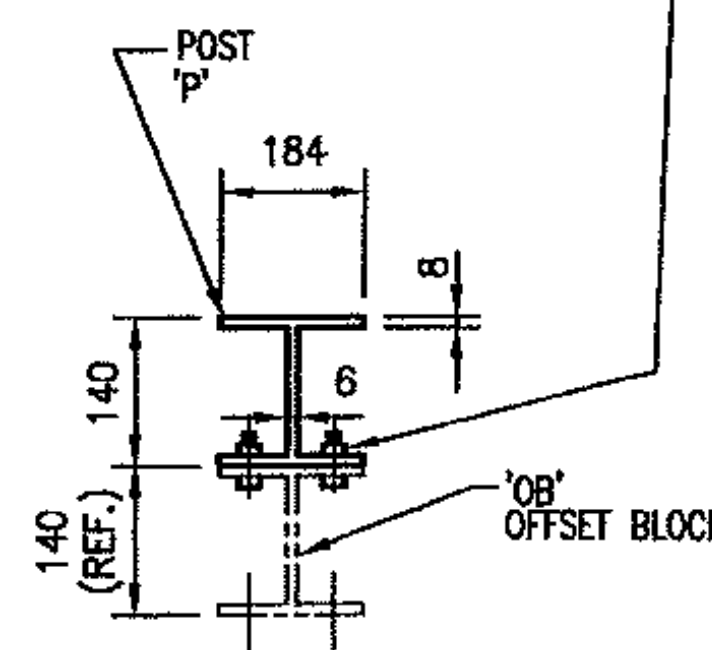
P1-P4

P5, P6

POST DETAIL CHART FOR SE & NW APPROACHES

POST No.	QTY.	OFFSET BLOCK MTG. DIMENSIONS						BEV
		A	B	C	D	E	F (O.C.)	
P8	2	48	347	786	17	31	1242	28
P9	2	48	299	725	17	31	1159	28
P10	2	48	256	663	17	31	1075	28
P11	2	48	213	602	17	31	992	28
P7	19	51	371		0	51	685	SQ
P12	2	55	396		9	46	784	14
P13	2	55	420		9	46	730	14

M12 x 38 LG - FB4
S/S HEX BOLTS w/HEX
NUT & WASHERS - FN1 & FW1



TYP. SECT. POST &
OFFSET BLOCK

POST DETAIL CHART FOR SW & NE APPROACHES

POST No.	QTY.	OFFSET BLOCK MTG. DIMENSIONS						BEV
		A	B	C	D	E	F (O.C.)	
P1	2	47	341	785	15	32	1242	25
P2	2	47	298	724	15	32	1159	25
P3	2	47	255	662	15	32	1075	25
P4	2	47	212	601	15	32	992	25
P5	2	54	419		7	47	785	11
P6	2	54	395		7	47	731	11

ANODIZED
(SEE NOTES ON LB1)

*NOTE:
FOR POST TOPS THAT HAVE BEVELS
LESS THAN OR EQUAL TO 3
- THE POSTS WILL BE TREATED
SQUARE.

Vermont Agency of Transportation
RECEIVED

CK'D BY WDL OK'D BY GS

7:54 am, Jul 13, 2011

RESUBMIT APPROVED X
BY CWC, Proj. Mgr. DATE 07/13/11

PROJECT No. STP 0199 (2)

ITEM No: 621.745

APPROVED: _____ REC'D APPROVAL _____
DRAWING

L.B. FOSTER COMPANY
1016 GREENTREE ROAD
PITTSBURGH, PENNSYLVANIA 15220

FOR: F. R. LAFAYETTE, INCORPORATED
VERMONT AGENCY OF TRANSPORTATION
TOWN OF HINESBURG, COUNTY OF CHITTENDEN, VT
APPROACH RAILING FOR BRIDGE #10, TOWN HIGHWAY 4 (MAJ. COLLECTOR) CLASS 2
APPROACH RAIL POST DETAILS

MADE CMS DATE 06/18/11 JOB No. ARO689 CUST. No.
CHECK Dd DATE 06/28/11 DRAWING LB10 REV. No.

REV.	DESCRIPTION	BY	DATE