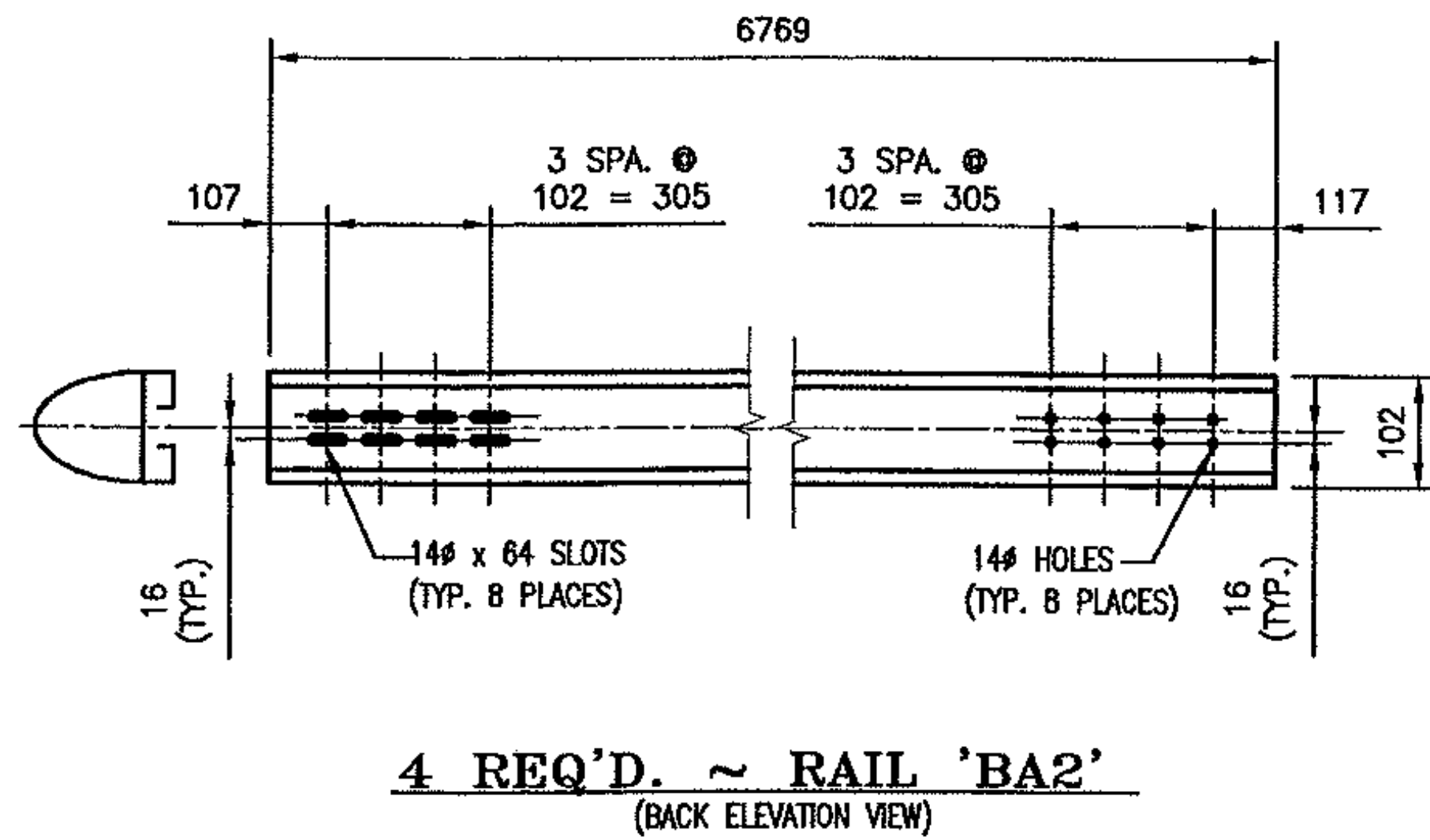
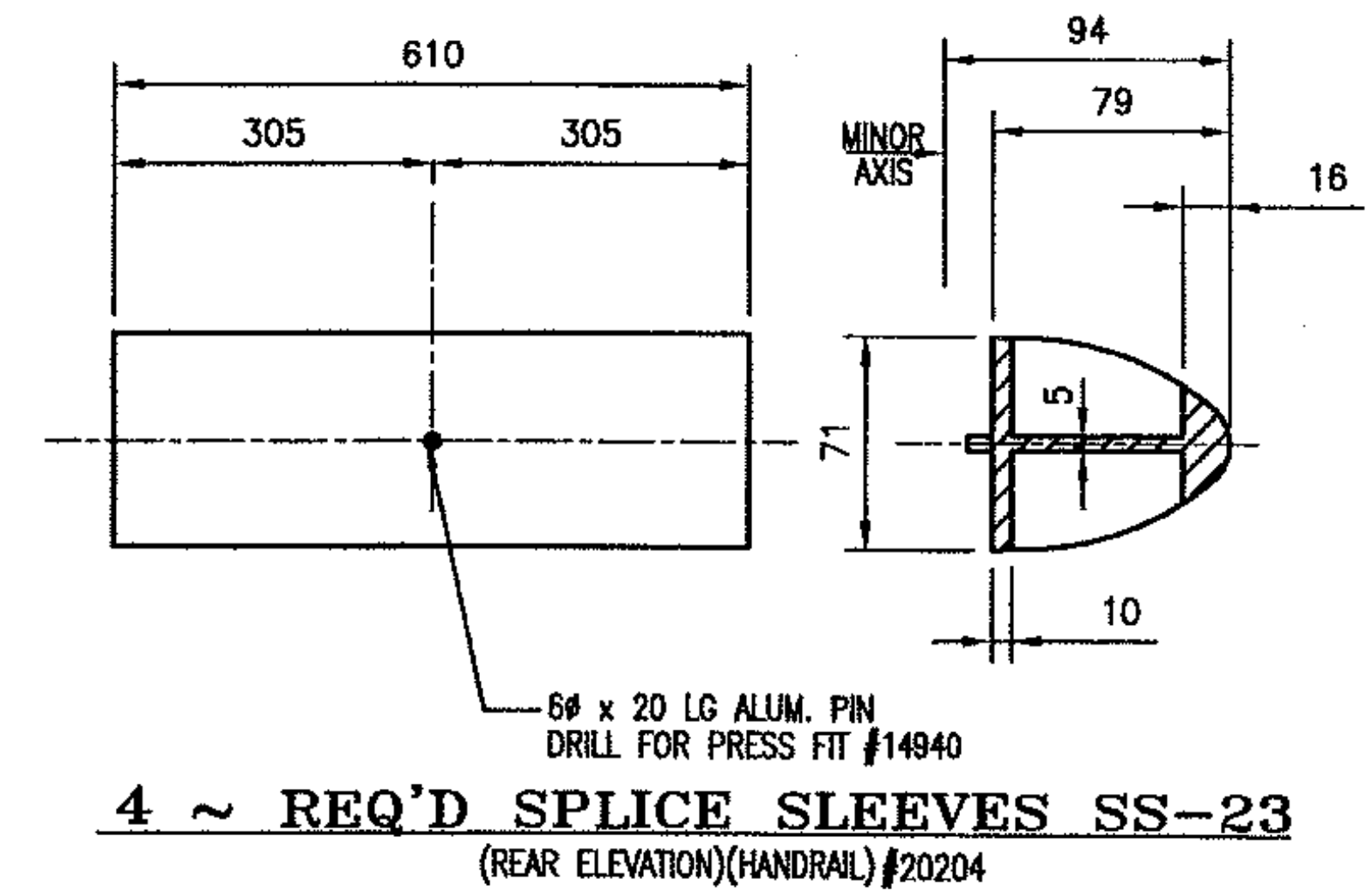
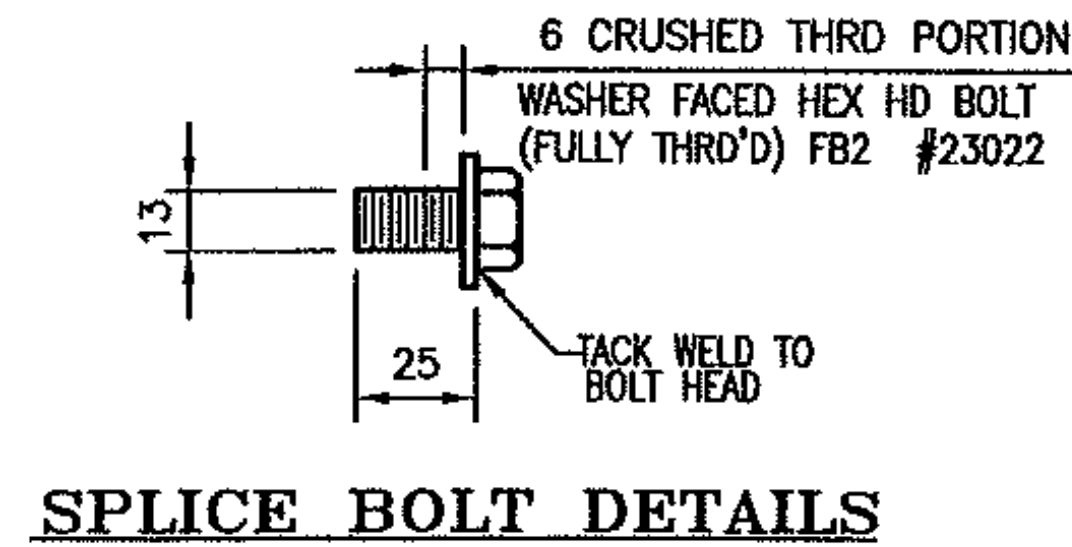
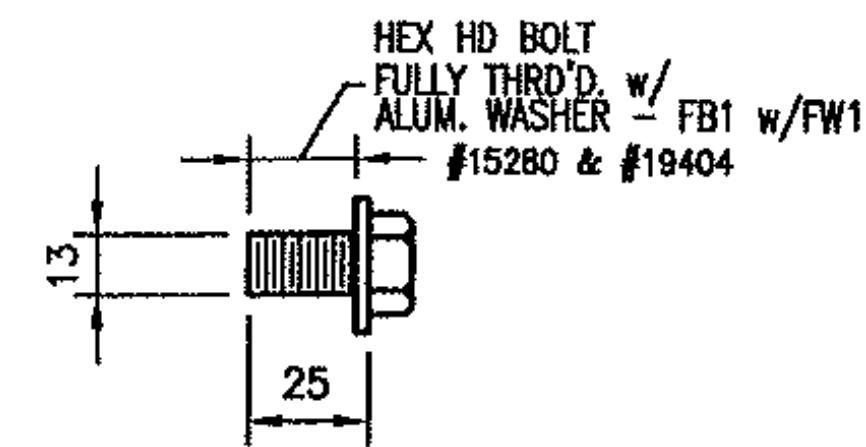
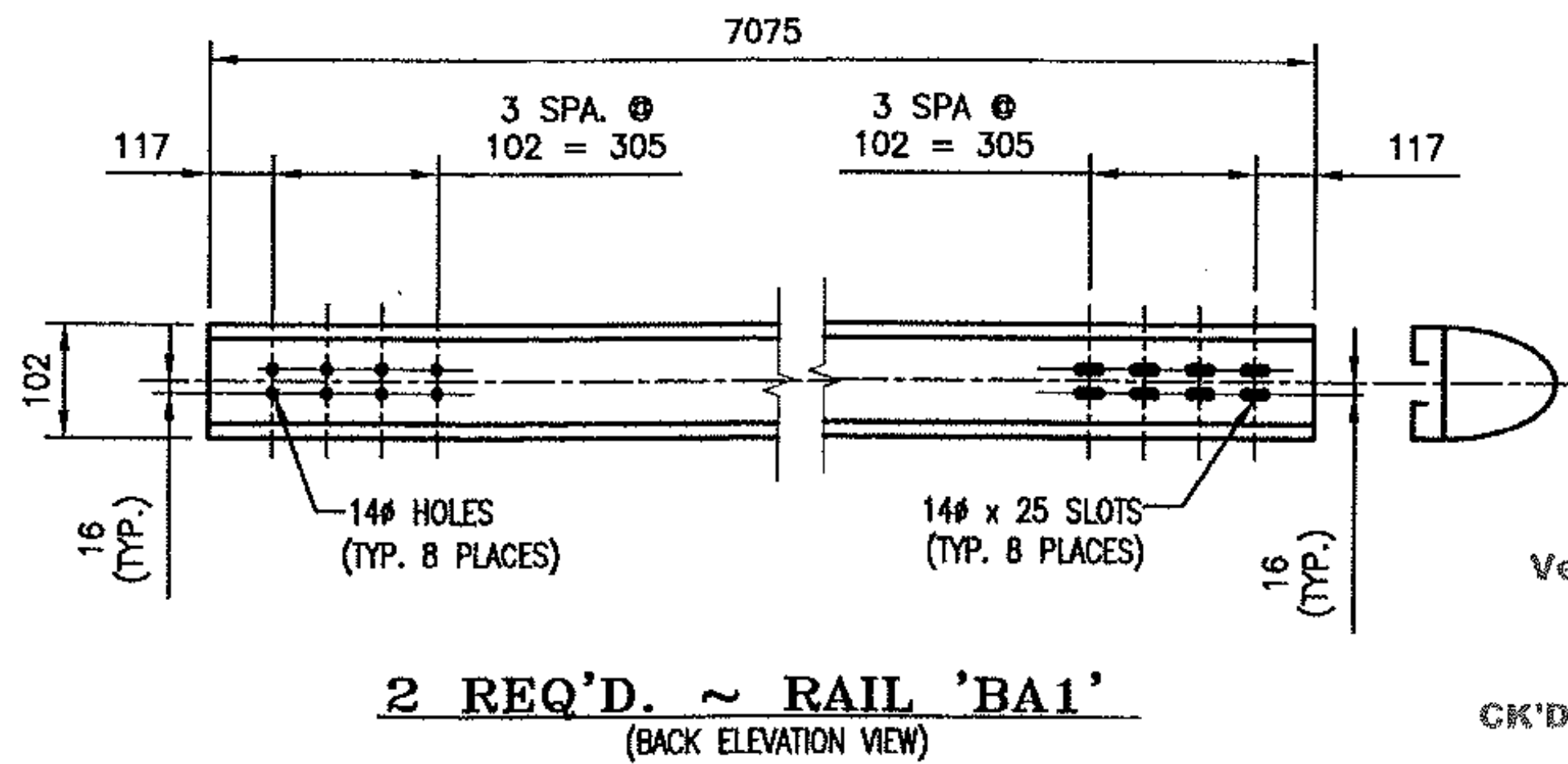
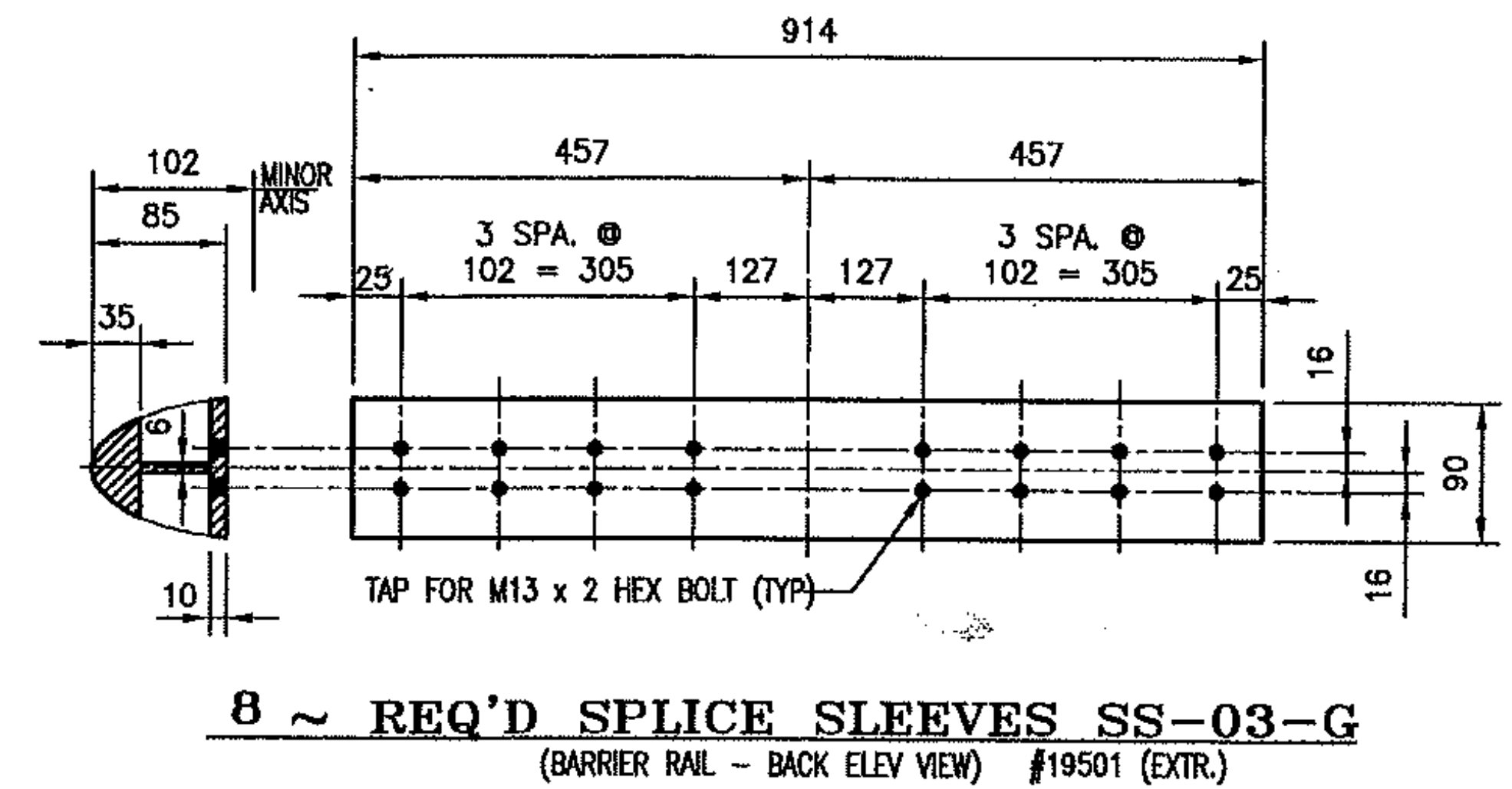


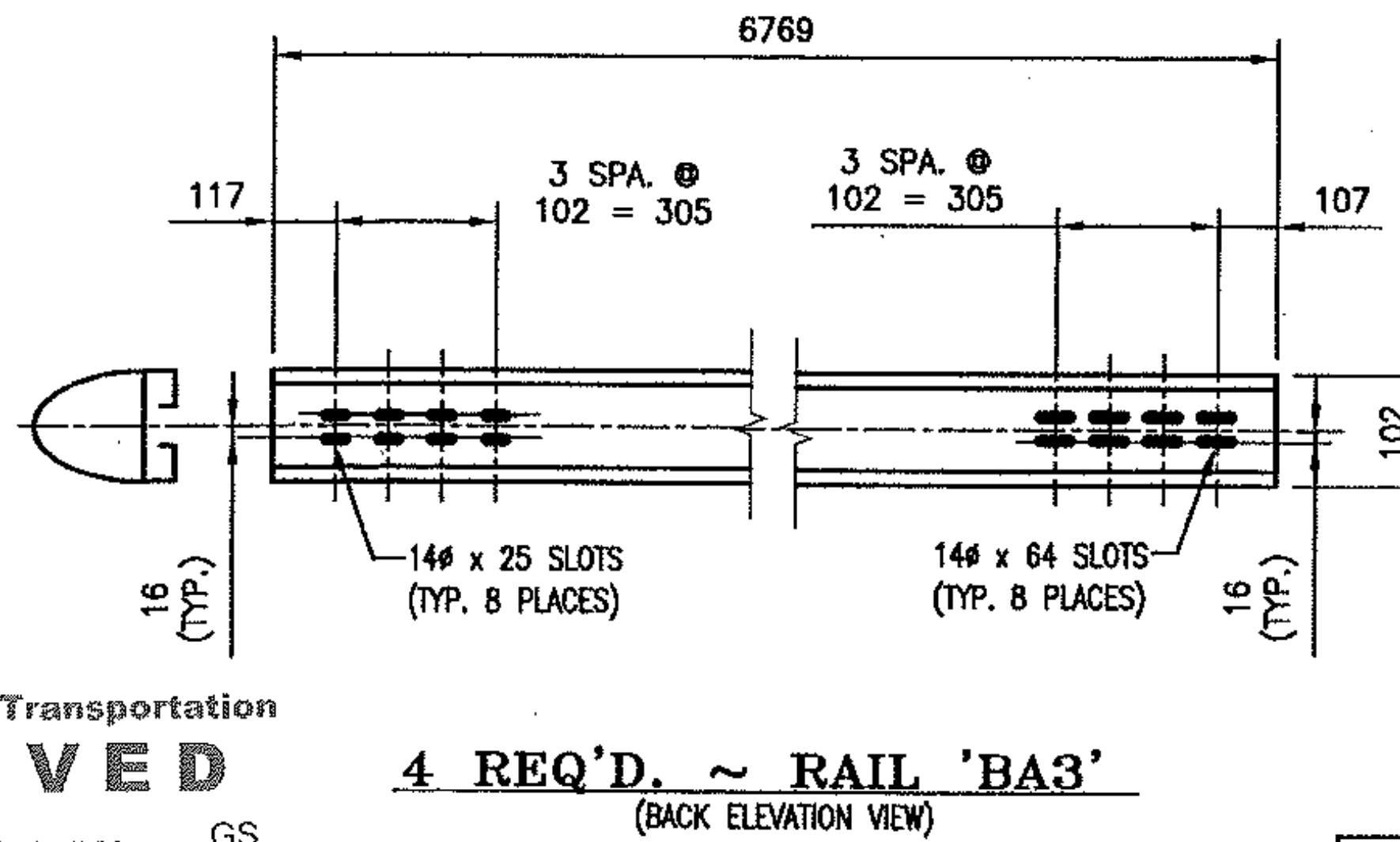
2 REQ'D. ~ RAIL 'BA4'
 (BACK ELEVATION VIEW)



4 REQ'D. ~ RAIL 'BA2'
 (BACK ELEVATION VIEW)



2 REQ'D. ~ RAIL 'BA1'
 (BACK ELEVATION VIEW)



4 REQ'D. ~ RAIL 'BA3'
 (BACK ELEVATION VIEW)

ANODIZED
 (SEE NOTES ON LB1)

Vermont Agency of Transportation
RECEIVED

CK'D BY WDL OK'D BY GS

7:54 am, Jul 13, 2011

RESUBMIT APPROVED X
 BY CWC, Proj. Mgr. DATE 07/13/11

PROJECT No. STP 0199(2) ITEM No: 525.225

APPROVED: _____ REC'D APPROVAL _____
 DRAWING

L.B. FOSTER COMPANY
 1016 GREENTREE ROAD
 PITTSBURGH, PENNSYLVANIA 15220

FOR: F. R. LAFAYETTE, INCORPORATED
 VERMONT AGENCY OF TRANSPORTATION
 TOWN OF HINESBURG, COUNTY OF CHITTENDEN
 BRIDGE RAILING FOR BRIDGE #10, TOWN HIGHWAY 4 (MAJOR COLLECTOR), CLASS 2
 OVER LAPLATTE RIVER ~ 3L ALUM BRIDGE RAILING ~ RAIL DETAILS

MADE CMS DATE 06/03/11 JOB No. ARO689 CUST. No.
 CHECK_Dd DATE 06/28/11 DRAWING LB5 REV. No.

REV.	DESCRIPTION	BY	DATE