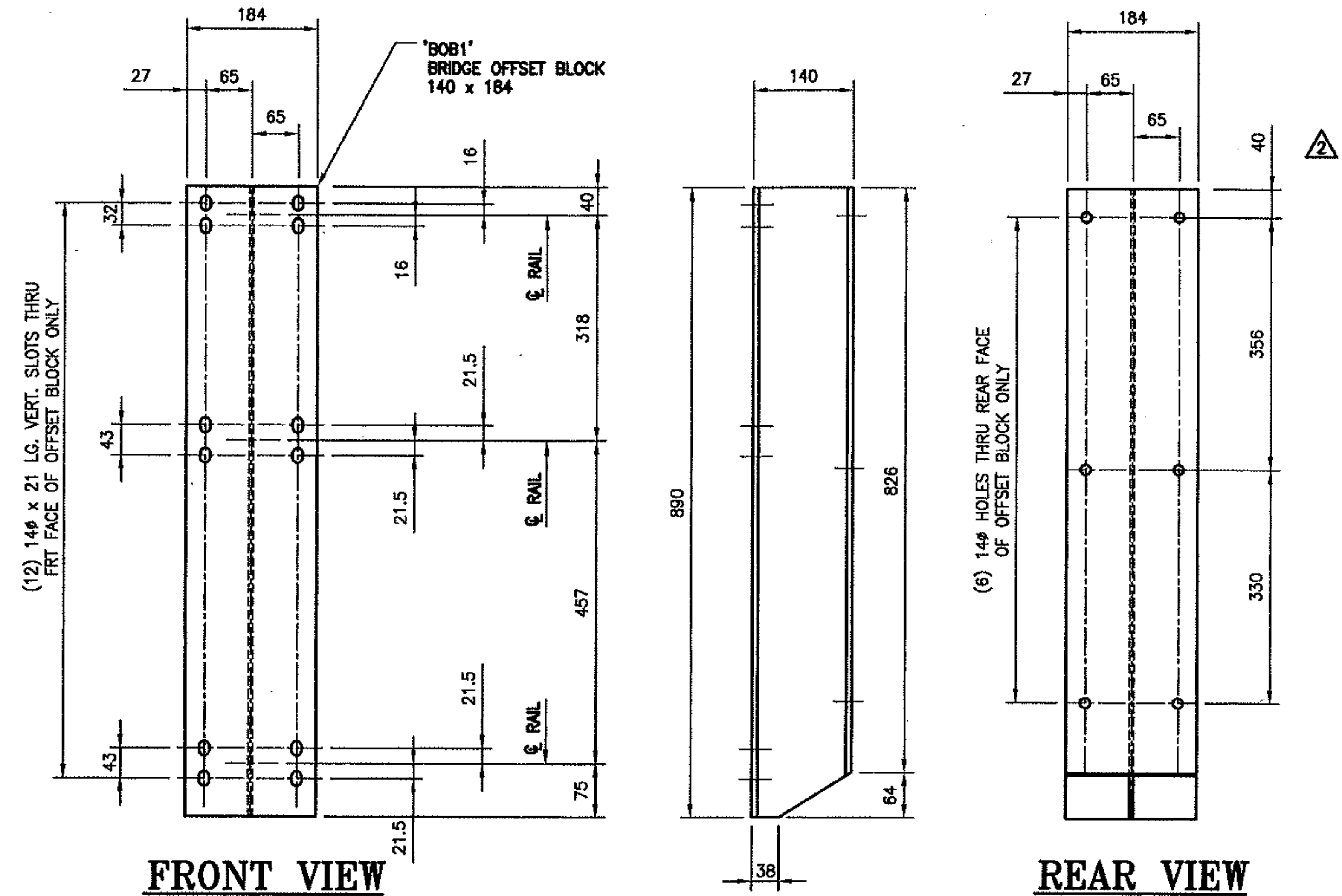


FRONT VIEW

SIDE VIEW

23 ~ REQ'D FABRICATED RAIL POSTS BP1 (SPECIAL)

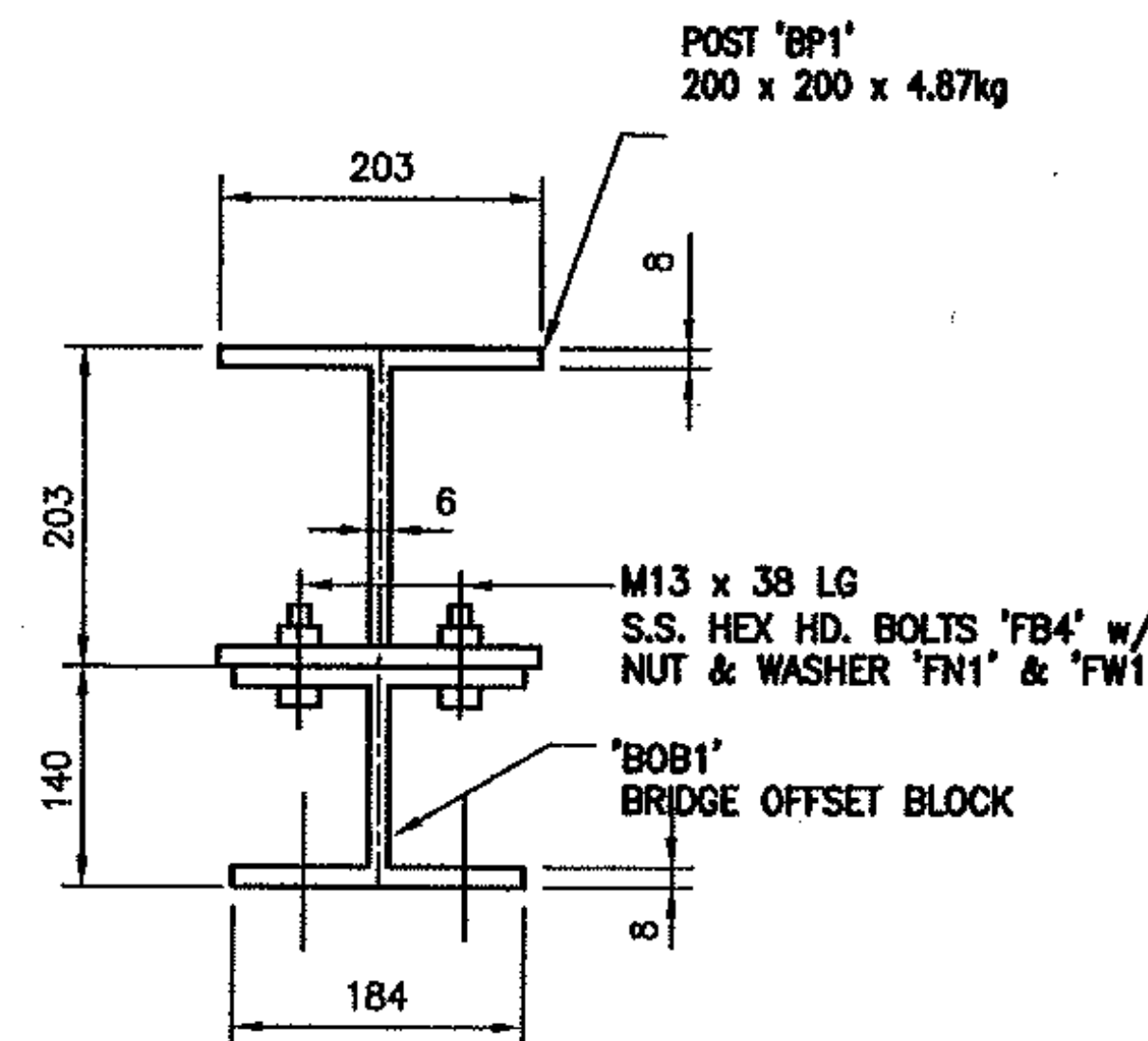
(CURB SIDE)



FRONT VIEW

REAR VIEW

23 ~ REQ'D BRIDGE OFFSET BLOCK 'BOB1'



TYP. PLAN VIEW POST & BRIDGE OFFSET BLOCK

Vermont Agency of Transportation

RECEIVED

CK'D BY WDL OK'D BY GS

10:02 am, Jul 14, 2011

RESUBMIT APPROVED X
BY CWC, Proj. Mgr. DATE 07/14/11

ANODIZED

(SEE LB01 FOR DETAILS)

PROJECT No. STP 0199(2) ITEM No: 525.225

APPROVED: _____ REC'D APPROVAL DRAWING

L.B. FOSTER COMPANY
1016 GREENTREE ROAD
PITTSBURGH, PENNSYLVANIA 15220

FOR: F. R. LAFAYETTE, INCORPORATED
VERMONT AGENCY OF TRANSPORTATION

TOWN OF HINESBURG, COUNTY OF CHITTENDEN
BRIDGE RAILING FOR BRIDGE #10, TOWN HIGHWAY 4 (MAJOR COLLECTOR), CLASS 2
OVER LAPLATE RIVER - 3/4 ALUM BRIDGE RAILING - POST & OFFSET BLOCK DETAILS

MADE CMS DATE 08/17/11 JOB No. AR0889 CUST. No.
CHECK_Dd DATE 06/28/11 DRAWING LB2 REV. No. 2

REV.	DESCRIPTION	BY	DATE
2	MOVED REAR HOLES PER APPROVAL MARKUPS	CMS	07/14/11
1	GENERAL REVISION PER APPROVAL MARKUPS	CMS	07/12/11