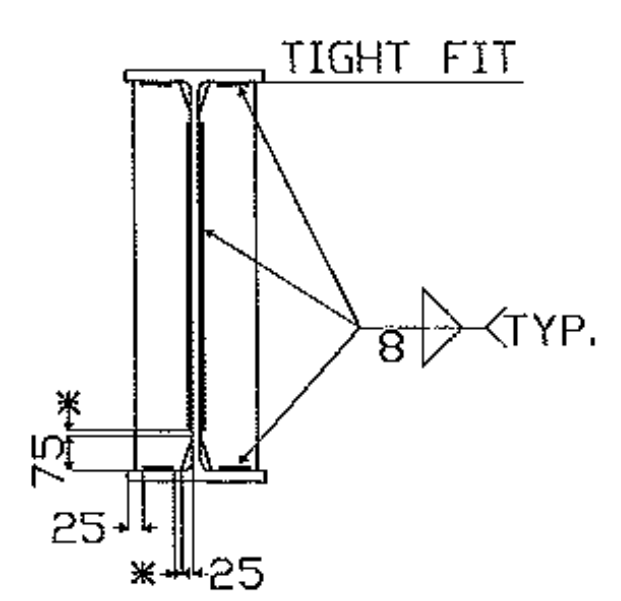


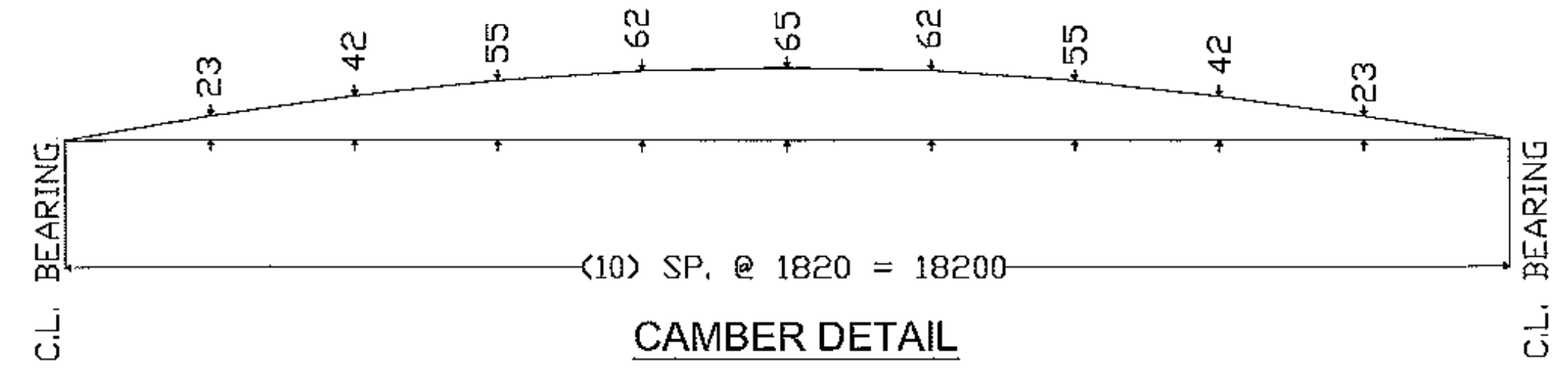
TYP. ABUTMENT STIFFENER
WELD DETAIL (AT ENDS OF BEAM)

* NO WELD FOR 6mm MIN.
OR 13mm MAX.



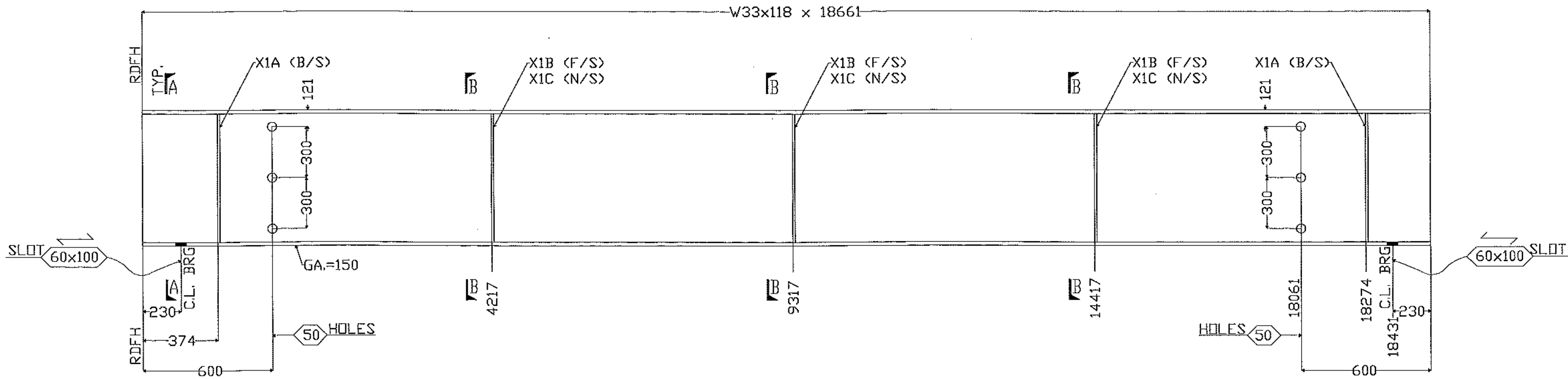
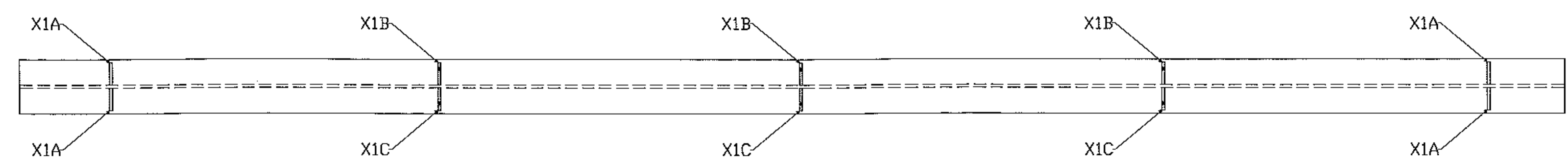
TYP. DIAPHRAGM STIFFENER
WELD DETAIL

* NO WELD FOR 6mm MIN.
OR 13mm MAX.

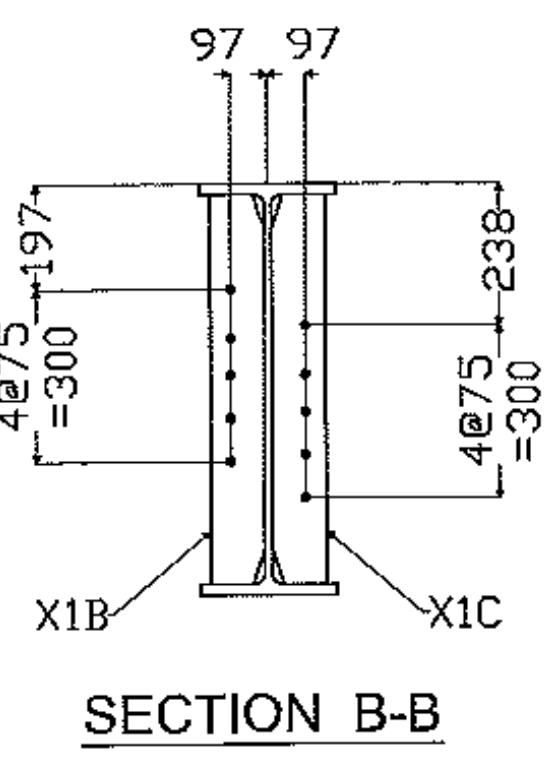
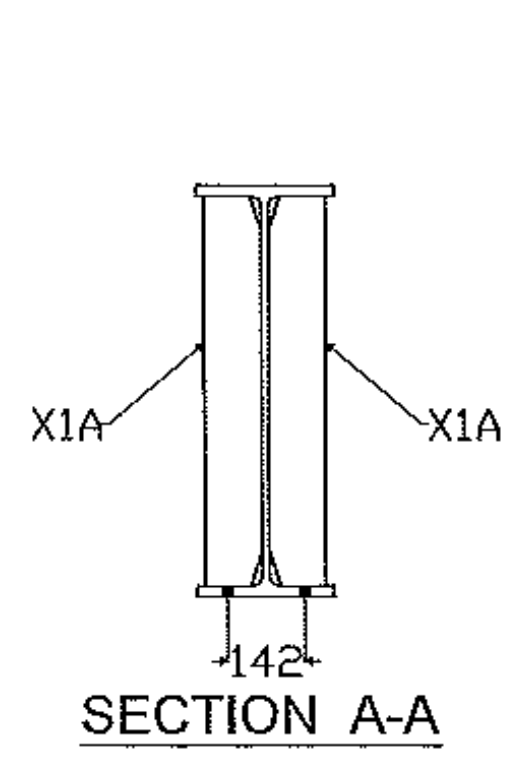


CAMBER DETAIL

SHIPPER		BILL OF MATERIAL						
NO.	MARK	NO.	MARK	SIZE	LENGTH	REMARKS	ITEM	WEIGHT
1	4B1			W33x118	18661	CVN		
		4	X1A	PL13x130	797			
		3	X1B	PL13x130	797			
		3	X1C	PL13x130	797			



ONE ~ GIRDER DETAIL ~ 4B1



Vermont Agency of Transportation
RECEIVED

CK'D BY WDL OK'D BY GS

8:02 am, Jul 25, 2011

RESUBMIT APPROVED X
BY CWC DATE 07/25/11

SHOP NOTE: DIM'S SHOWN
ARE IN METRIC (mm)

SHOP NOTES
HOLES: 24Ø UDN
BELTS: PER GNI
PAINT: PER GNI
WELDS: ER 80S-N1
MATERIAL: M270 GR.50

3							
2							
1	7.21.11	APPROVER COMMENTS					
REV. NO.	DATE	REVISION					
GIRDER DETAIL							
SILVER ST. BRDG - HINESBURG							
STATE OF VERMONT							
PROJECT No. STP 0199(2)							
PRECISE STRUCTURAL PRODUCTS							
3 FARM LANE GEORGETOWN, MA 01833 978-352-2591							
OWNER: VT AGENCY OF TRANSPORTATION							
CONTRACTOR: A.L. STONGE CONTRACTORS, INC							
DRAWN BY	CHECKED BY	APP.	SHOP	DIST.	CONTRACT NO.	SHEET NO.	
KC	WL				3578	4	
06/24/11	06/28/11						