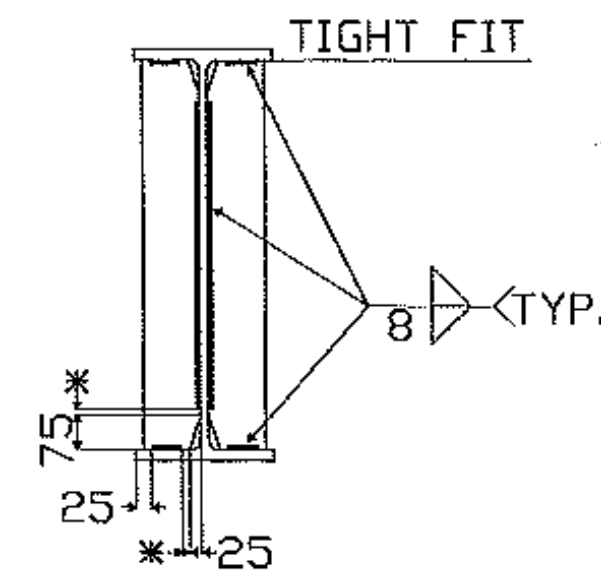


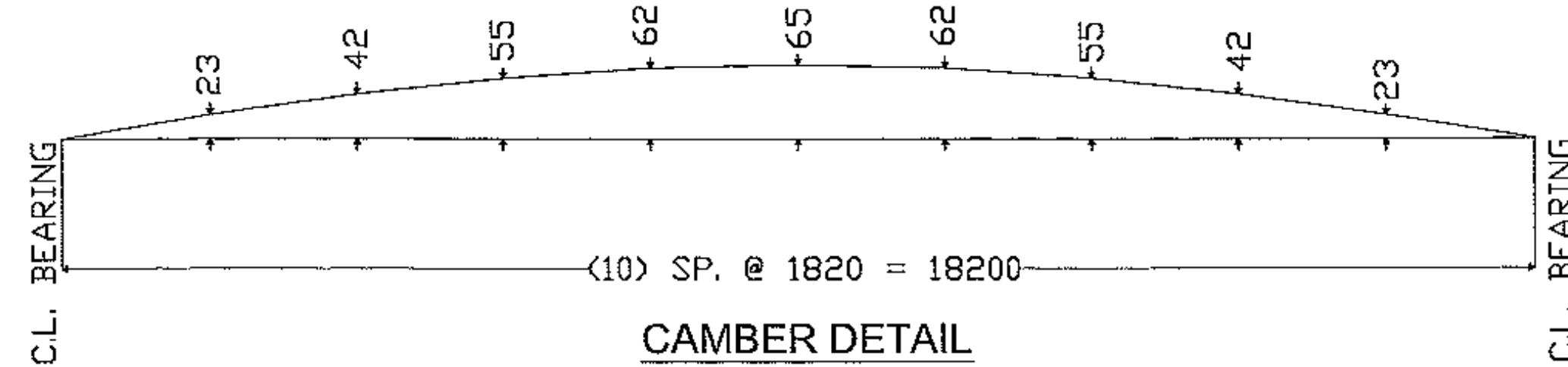
TYP. ABUTMENT STIFFENER  
WELD DETAIL (AT ENDS OF BEAM)

\* NO WELD FOR 6mm MIN.  
OR 13mm MAX.



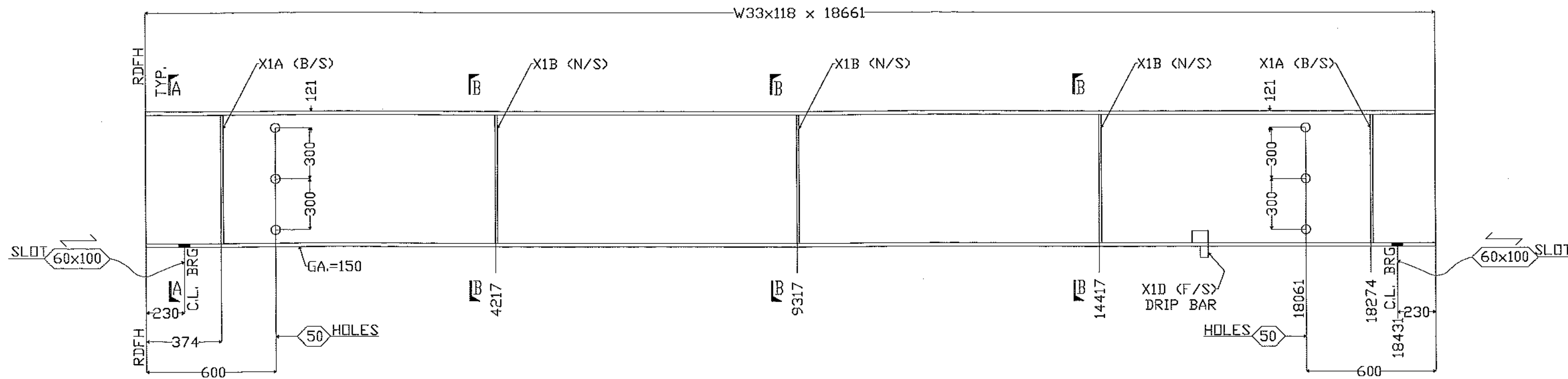
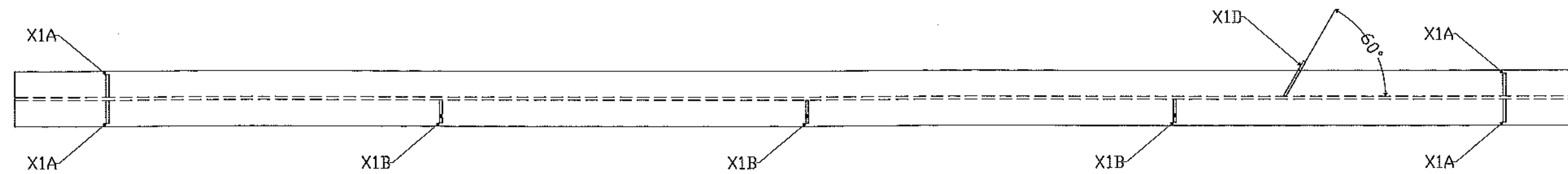
TYP. DIAPHRAGM STIFFENER  
WELD DETAIL

\* NO WELD FOR 6mm MIN.  
OR 13mm MAX.

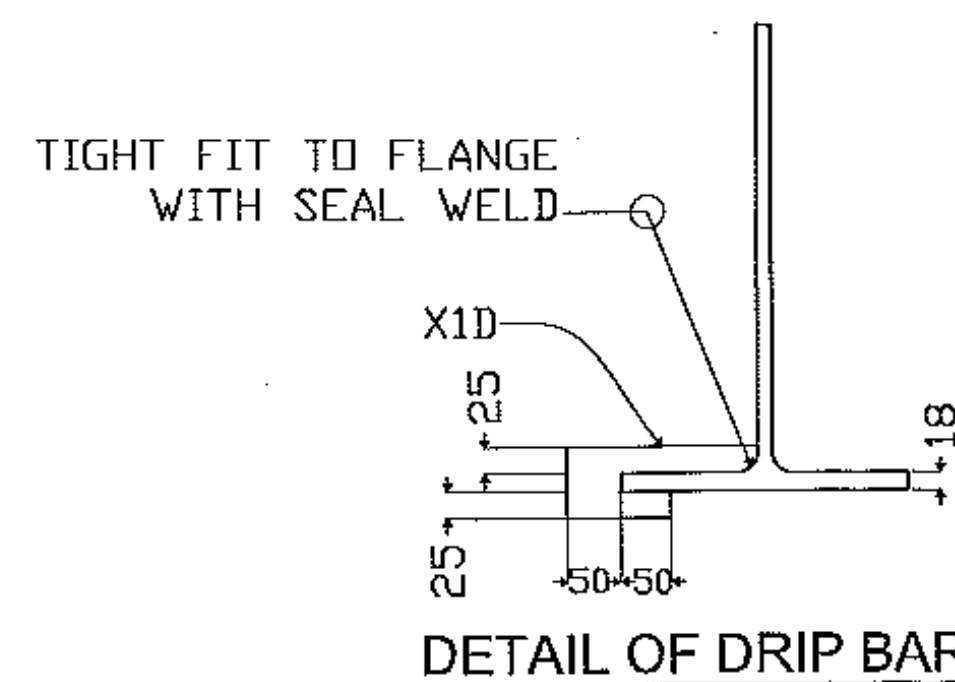
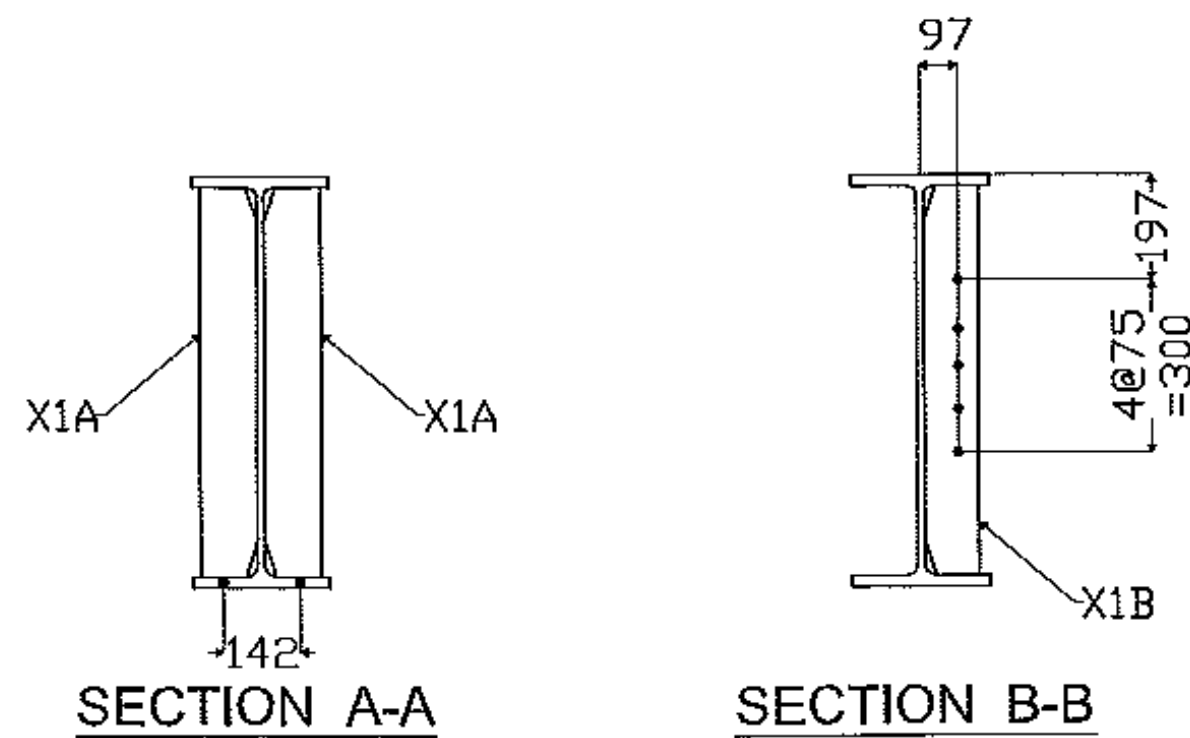


CAMBER DETAIL

| SHIPPER |      | BILL OF MATERIAL |      |          |        |         |      |        |
|---------|------|------------------|------|----------|--------|---------|------|--------|
| NO.     | MARK | NO.              | MARK | SIZE     | LENGTH | REMARKS | ITEM | WEIGHT |
| 1       | 1B1  |                  |      | W33x118  | 18661  | CVN     |      |        |
|         |      | 4                | X1A  | PL13x130 | 797    |         |      |        |
|         |      | 3                | X1B  | PL13x130 | 797    |         |      |        |
|         |      | 1                | X1D  | PL25x69  | 210    |         |      |        |



ONE ~ GIRDER DETAIL ~ 1B1



Vermont Agency of Transportation  
**RECEIVED**

CK'D BY WDL OK'D BY GS  
8:02 am, Jul 25, 2011  
RESUBMIT APPROVED X  
BY CWC DATE 07/25/11

SHOP NOTE: DIM'S SHOWN  
ARE IN METRIC (mm)

SHOP NOTES  
HOLES: 24# UEN  
BOLTS: PER GNI  
PAINT: PER GNI  
WELDS: ER 80S-Ni  
MATERIAL: M270 GR.50

|  |            |  |
|--|------------|--|
| 3  |            |  |
| 2  |            |  |
| 1  | 7.21.11    | APPROVER COMMENTS                      |
|  |            | REVISION                               |
| GIRDER DETAIL  |            |  |
| SILVER ST. BRDG - HINESBURG<br>STATE OF VERMONT<br>PROJECT No. STP 0199(2)         |            |  |
| PRECISE STRUCTURAL PRODUCTS<br>3 FARM LANE<br>GEORGETOWN, MA 01833<br>978-352-2591 |            |  |
| OWNER: VT AGENCY OF TRANSPORTATION<br>CONTRACTOR: A.L. STONGE CONTRACTORS, INC     |            |  |
| DRAWN BY   | CHECKED BY | APP. SHOP DIST. CONTRACT NO. SHEET NO. |
| KC   | WL         |  |
| 06/24/11   | 06/28/11   | 3578 1                                 |