

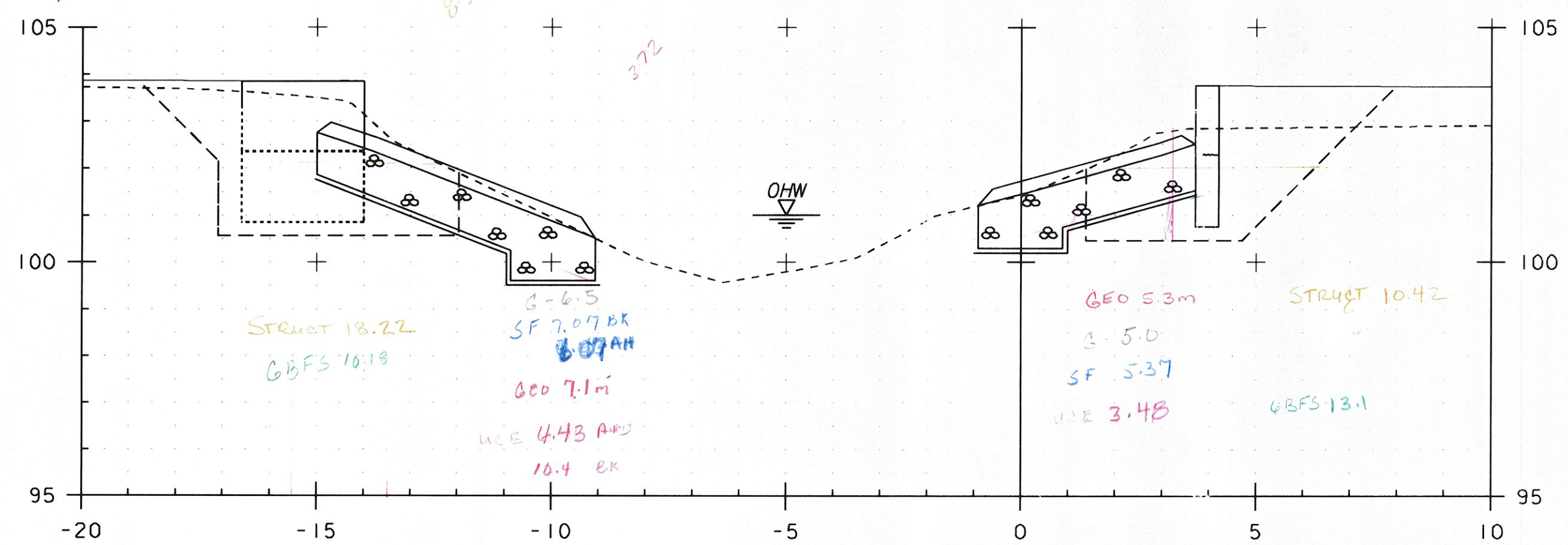
STA 20+25.100 (LT CHANNEL)
 BEGIN STRUCTURE EXCAVATION
 GRANULAR BACKFILL FOR STRUCTURES
 STA 20+25.100 (LT & RT CHANNEL)
 END GRUBBING MATERIAL

20+30.00

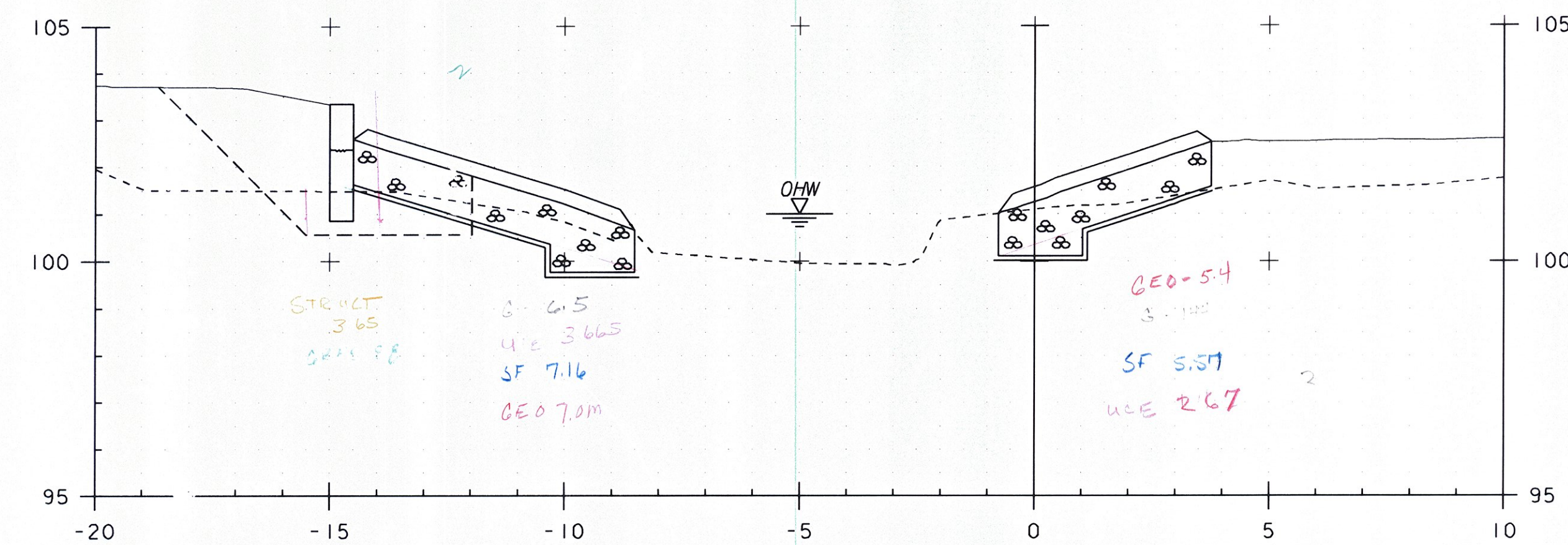
STA 20+40.500 (LT CHANNEL)
 END UNCLASSIFIED CHANNEL EXCAVATION
 STONE FILL, TYPE III
 GEOTEXTILE UNDER STONE FILL
 GRUBBING MATERIAL

STA 20+38.250 (LT CHANNEL)
 END STRUCTURE EXCAVATION
 GRANULAR BACKFILL FOR STRUCTURES

STA 20+38.500 (RT CHANNEL)
 END UNCLASSIFIED CHANNEL EXCAVATION
 STONE FILL, TYPE III
 GEOTEXTILE UNDER STONE FILL
 GRUBBING MATERIAL

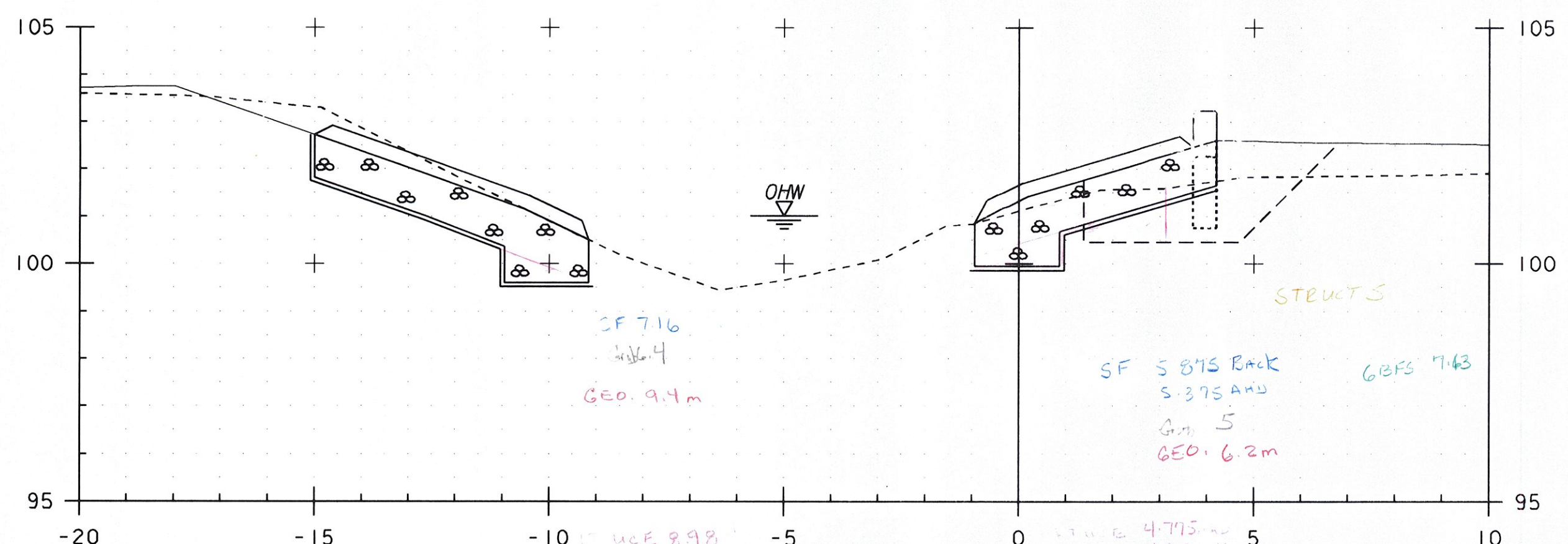


20+025.00



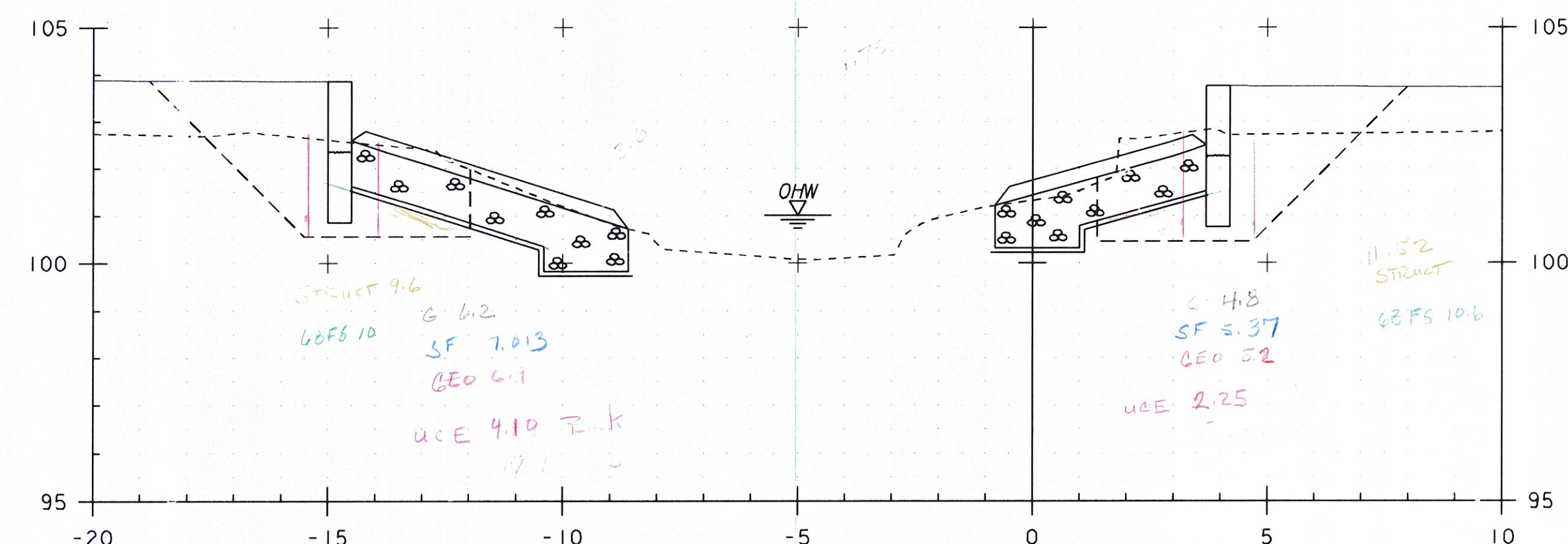
20+037.00

STA 20+37.000 (RT CHANNEL)
 END STRUCTURE EXCAVATION
 GRANULAR BACKFILL FOR STRUCTURES



20+023.00

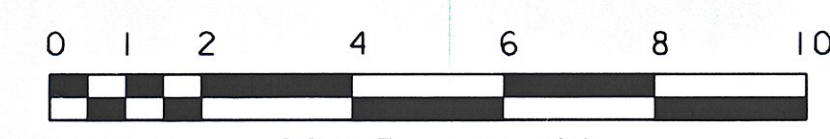
STA 20+22.100 (RT CHANNEL)
 BEGIN STRUCTURE EXCAVATION
 GRANULAR BACKFILL FOR STRUCTURES



20+035.00

STA 20+34.900 (LT & RT CHANNEL)
 BEGIN GRUBBING MATERIAL

STA 20+21.000 (LT & RT CHANNEL)
 BEGIN UNCLASSIFIED CHANNEL EXCAVATION
 STONE FILL, TYPE III
 GEOTEXTILE UNDER STONE FILL
 GRUBBING MATERIAL



STA. 20+023 TO STA. 20+037

PROJECT NAME:	HINESBURG	PLOT DATE:	02-MAR-2011
PROJECT NUMBER:	STP 0199(2)	DRAWN BY:	C. MOONEY
FILE NAME:	01j282/str/s01j282xsl.dgn	CHECKED BY:	C. CARLSON
PROJECT LEADER:	C. CARLSON	CHANNEL SECTIONS	SHEET 45 OF 56
DESIGNED BY:	W. LAMMER		