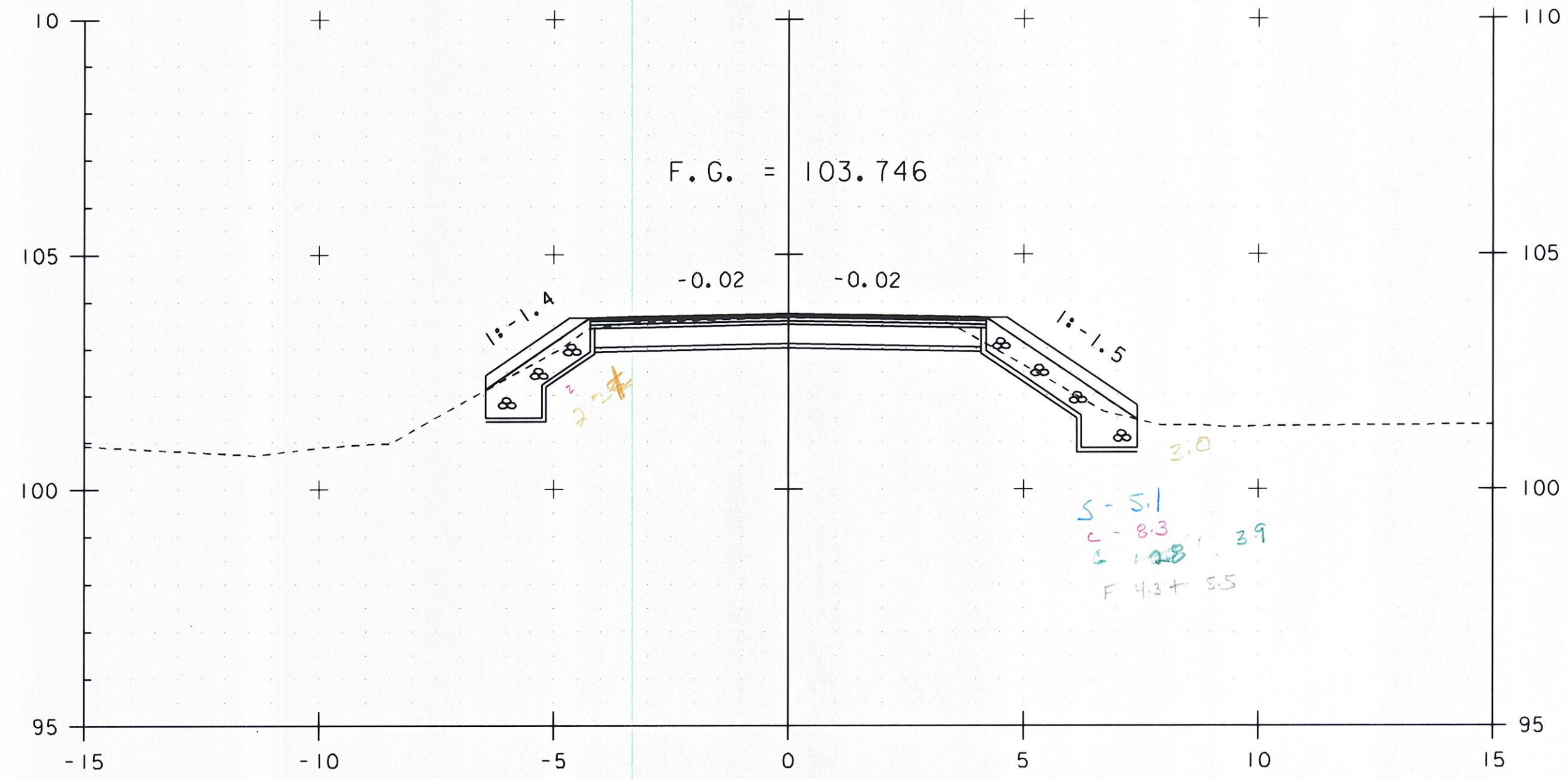
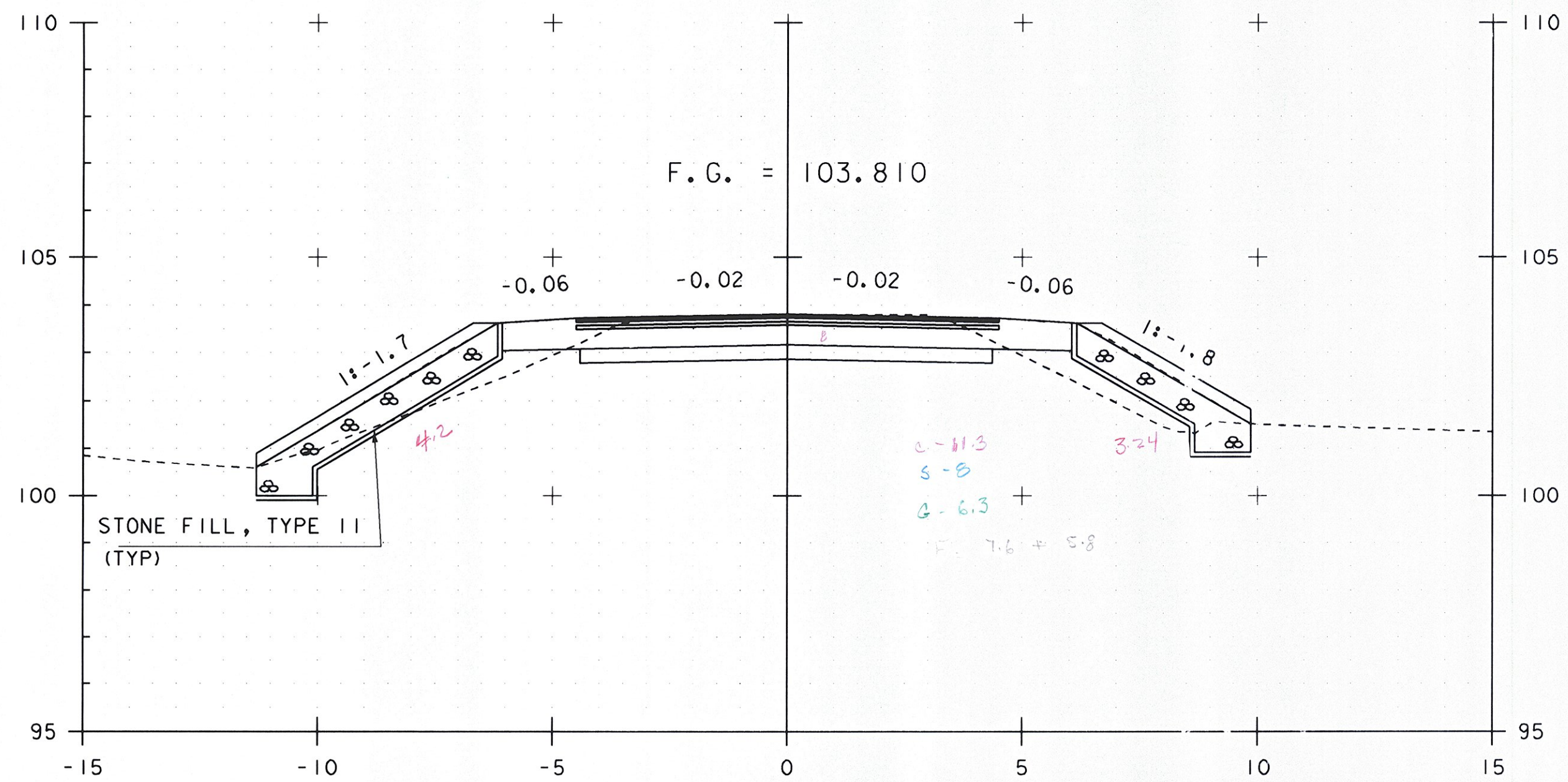


STA. 1+140.00
END PROJECT
BEGIN ROADWAY APPROACH

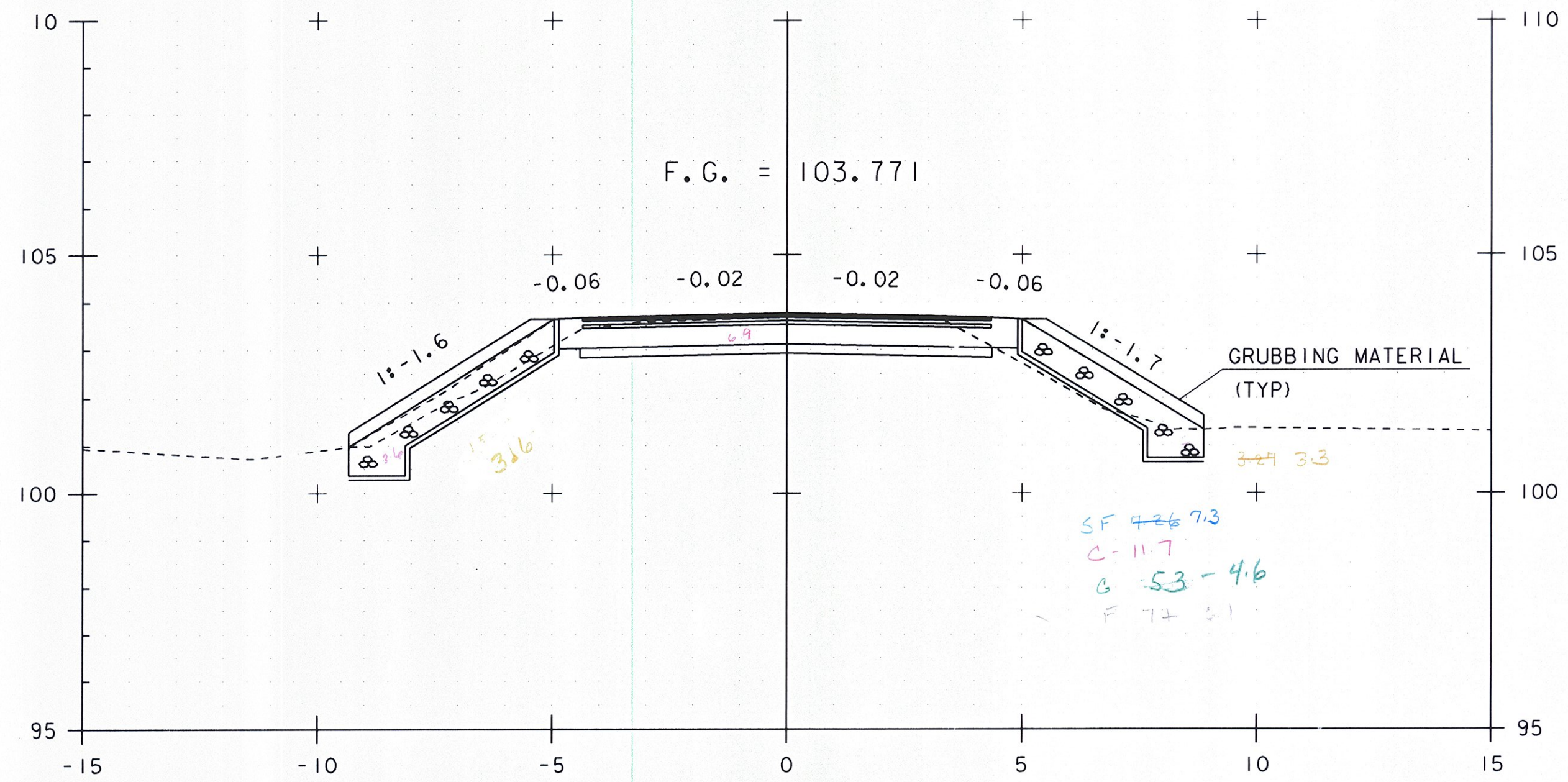
1+140.00



1+150.00



1+137.20



1+145.00

STA. 1+137 TO STA. 1+150

PROJECT NAME:	HINESBURG	PLOT DATE:	02-MAR-2011
PROJECT NUMBER:	STP 0199(2)	DRAWN BY:	C. MOONEY
FILE NAME:	01J282/str/s01J282xsl.dgn	CHECKED BY:	C. CARLSON
PROJECT LEADER:	C. CARLSON	DESIGNED BY:	W. LAMMER
DESIGNED BY:	W. LAMMER	MAINLINE SECTIONS SHEET 7	SHEET 41 OF 56