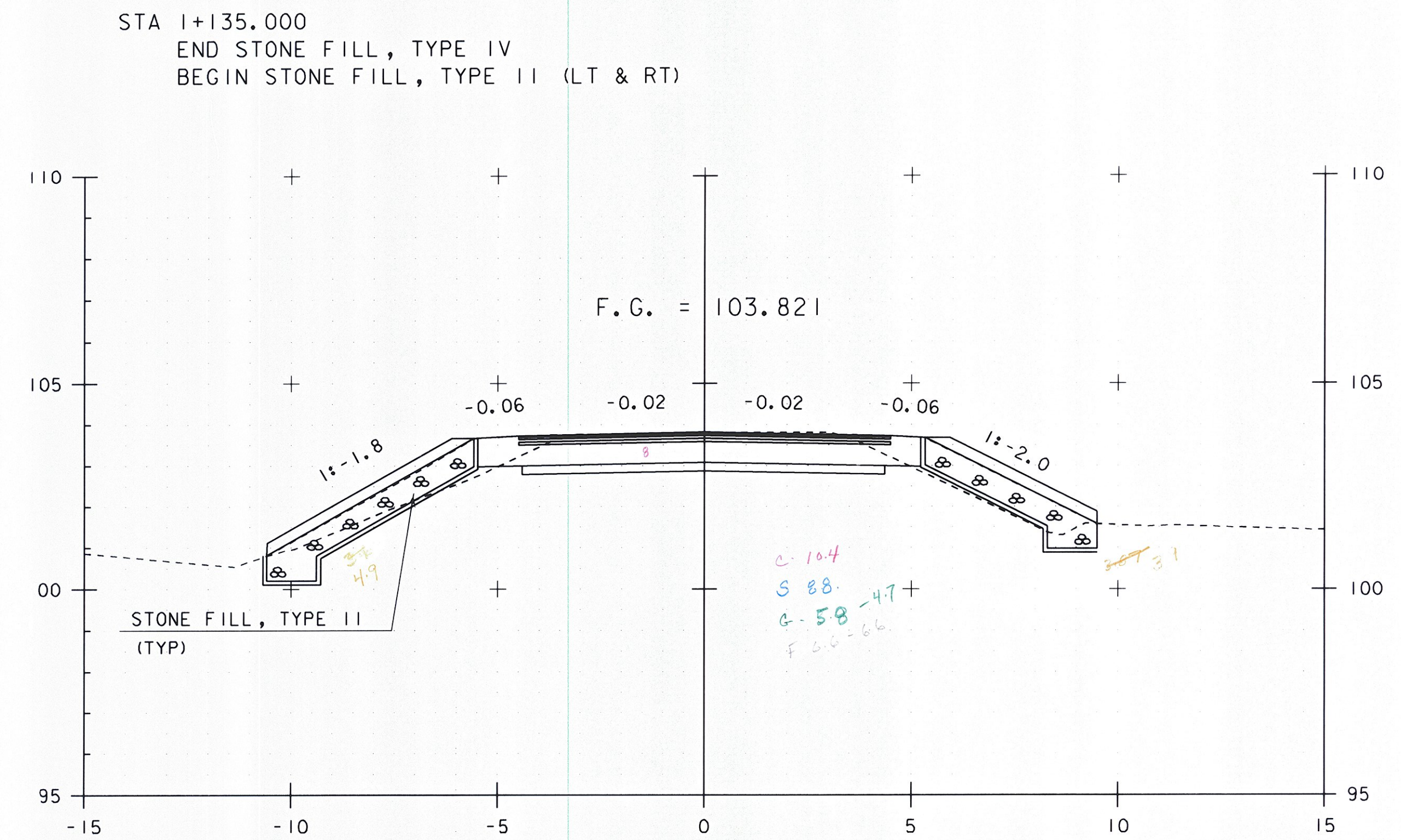
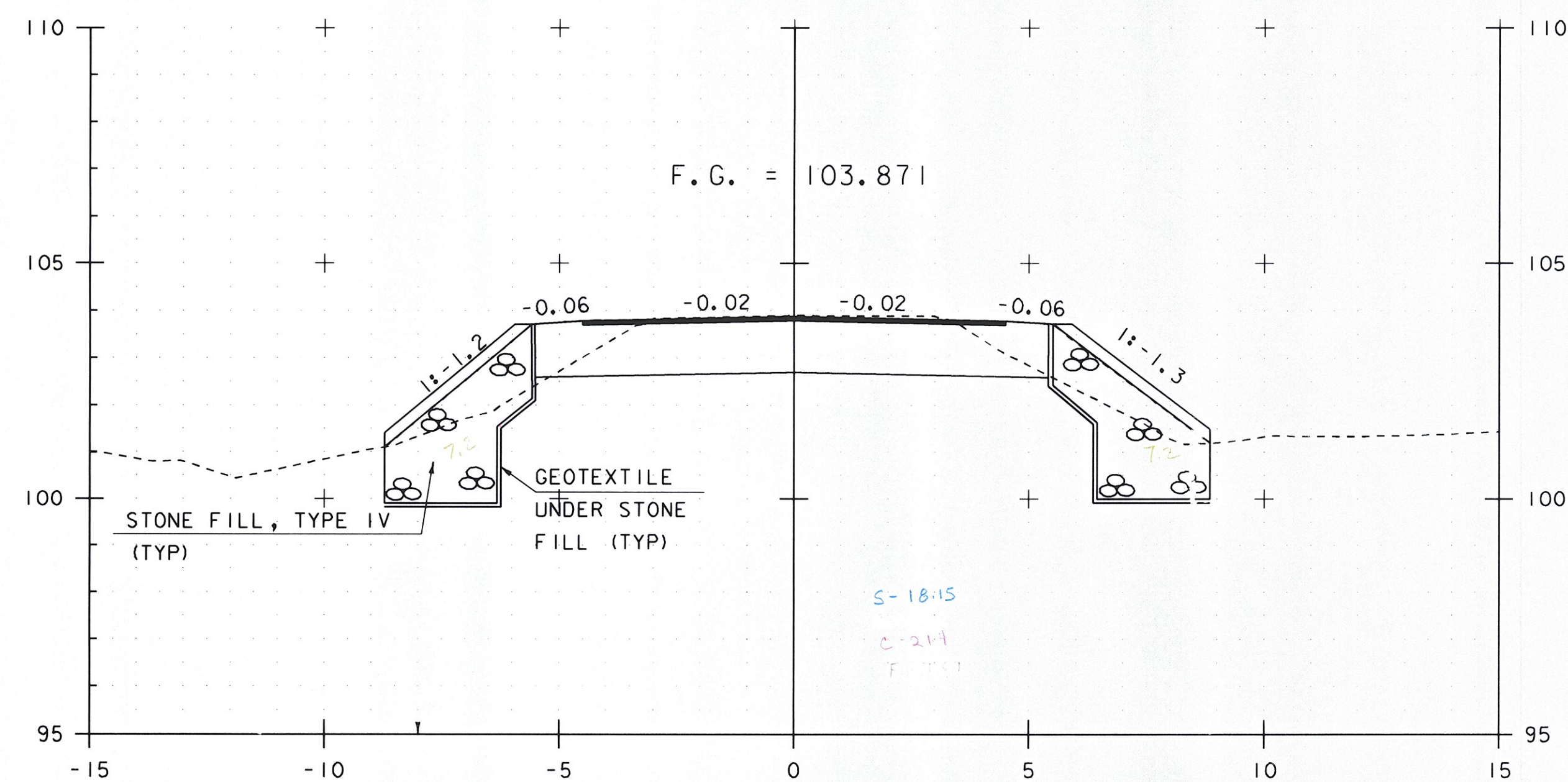


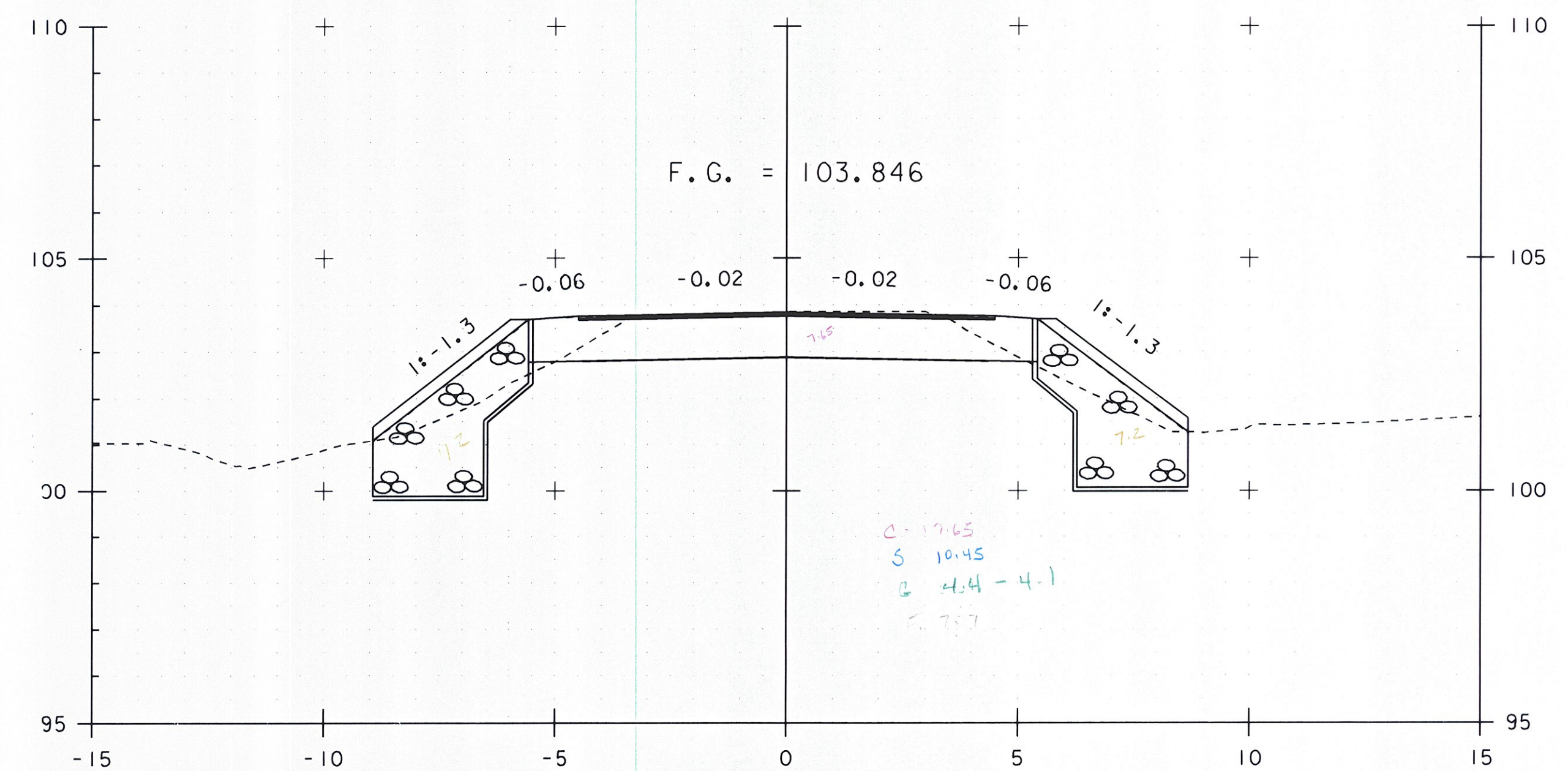
I+129.70



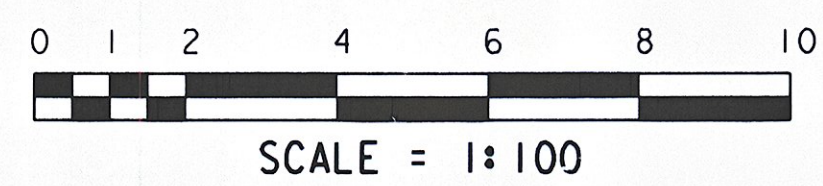
I+135.00



I+125.00



I+130.00



STA. I+125 TO STA. I+135

PROJECT NAME:	HINESBURG	PLOT DATE:	02-MAR-2011
PROJECT NUMBER:	STP 0199(2)	DRAWN BY:	C. MOONEY
FILE NAME:	01J282/str/s01J282xsl.dgn	CHECKED BY:	C. CARLSON
PROJECT LEADER:	C. CARLSON	MAINLINE SECTIONS SHEET	6
DESIGNED BY:	W. LAMMER	SHEET	40 OF 56