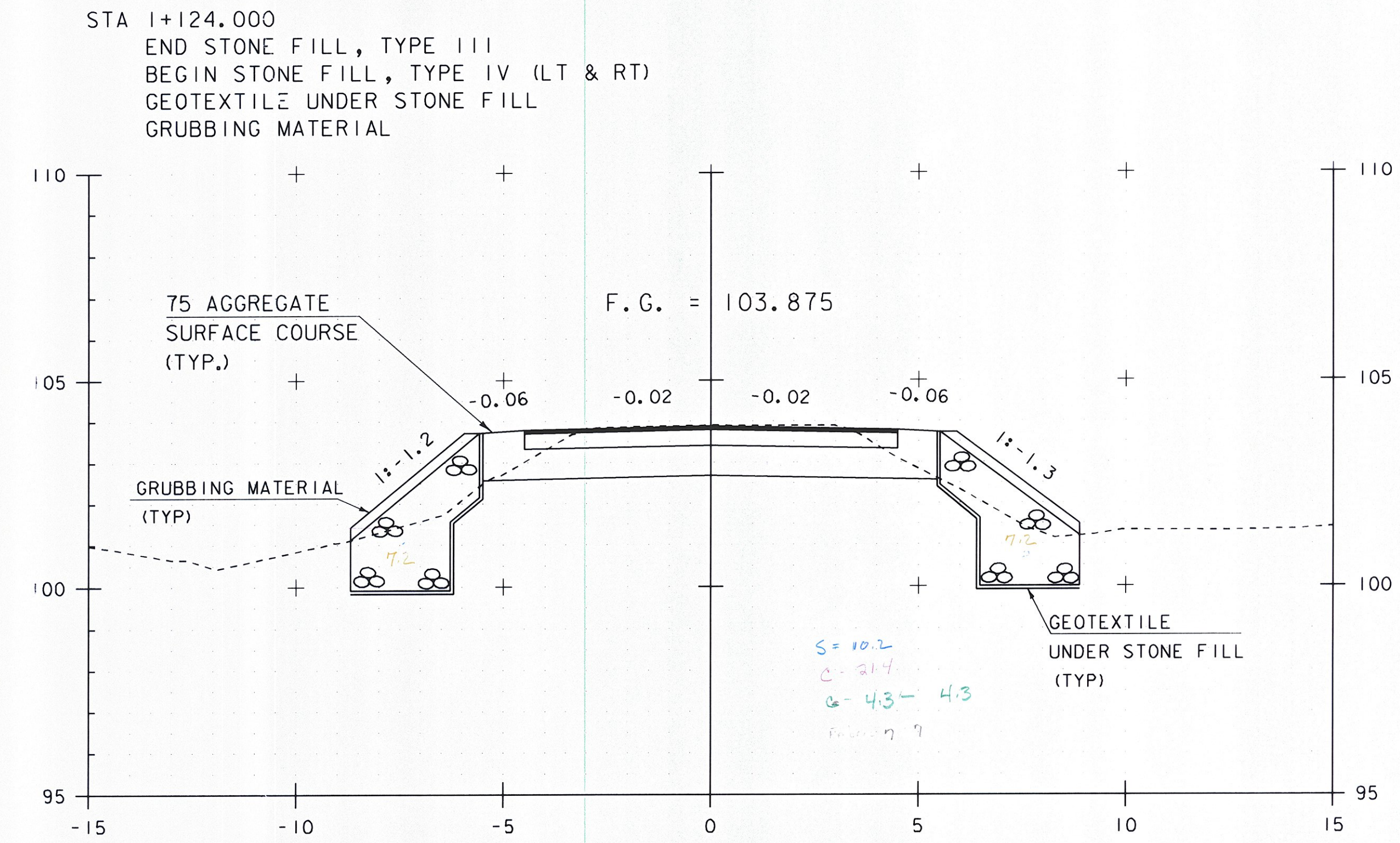
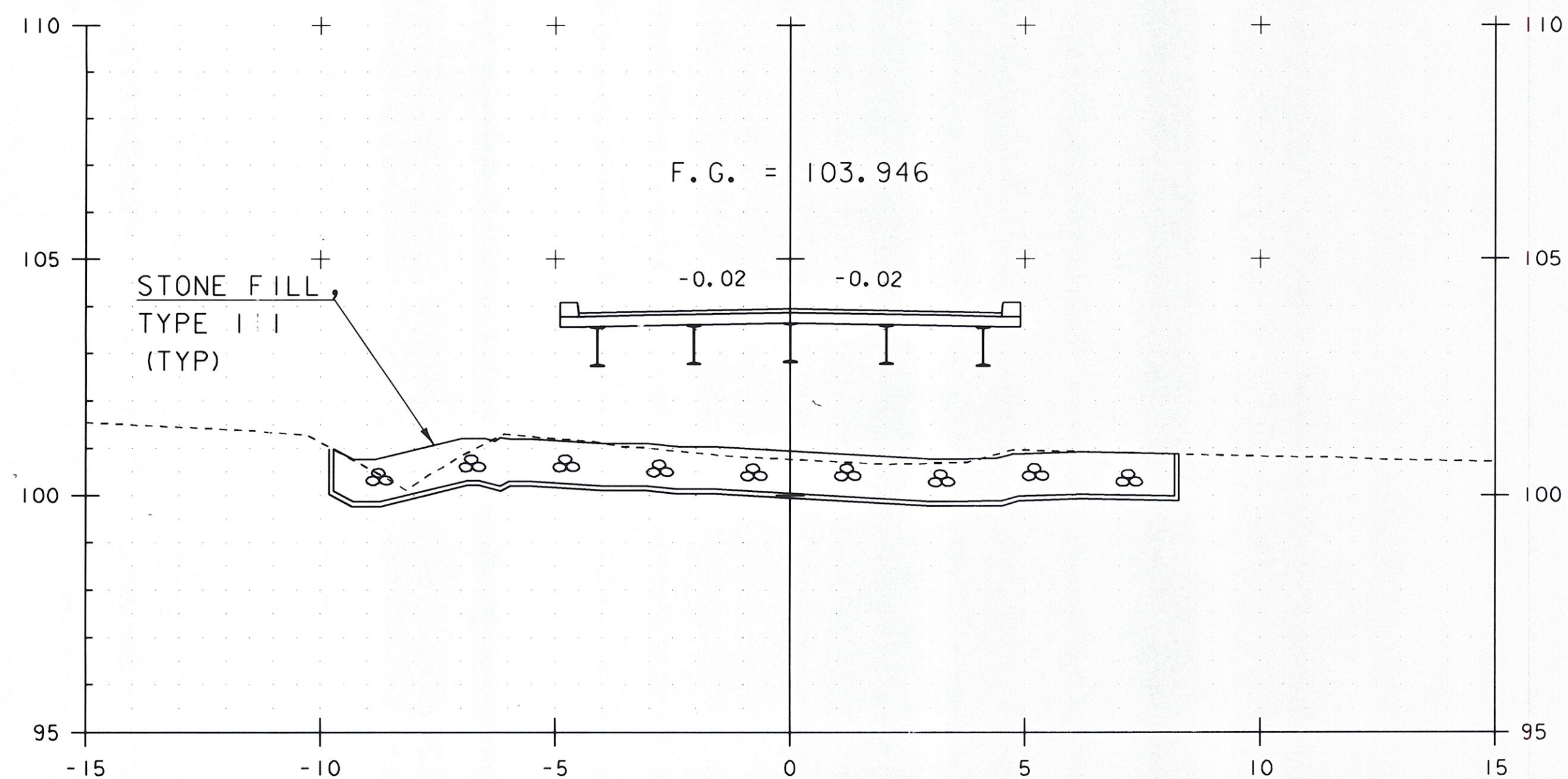


1+115.00



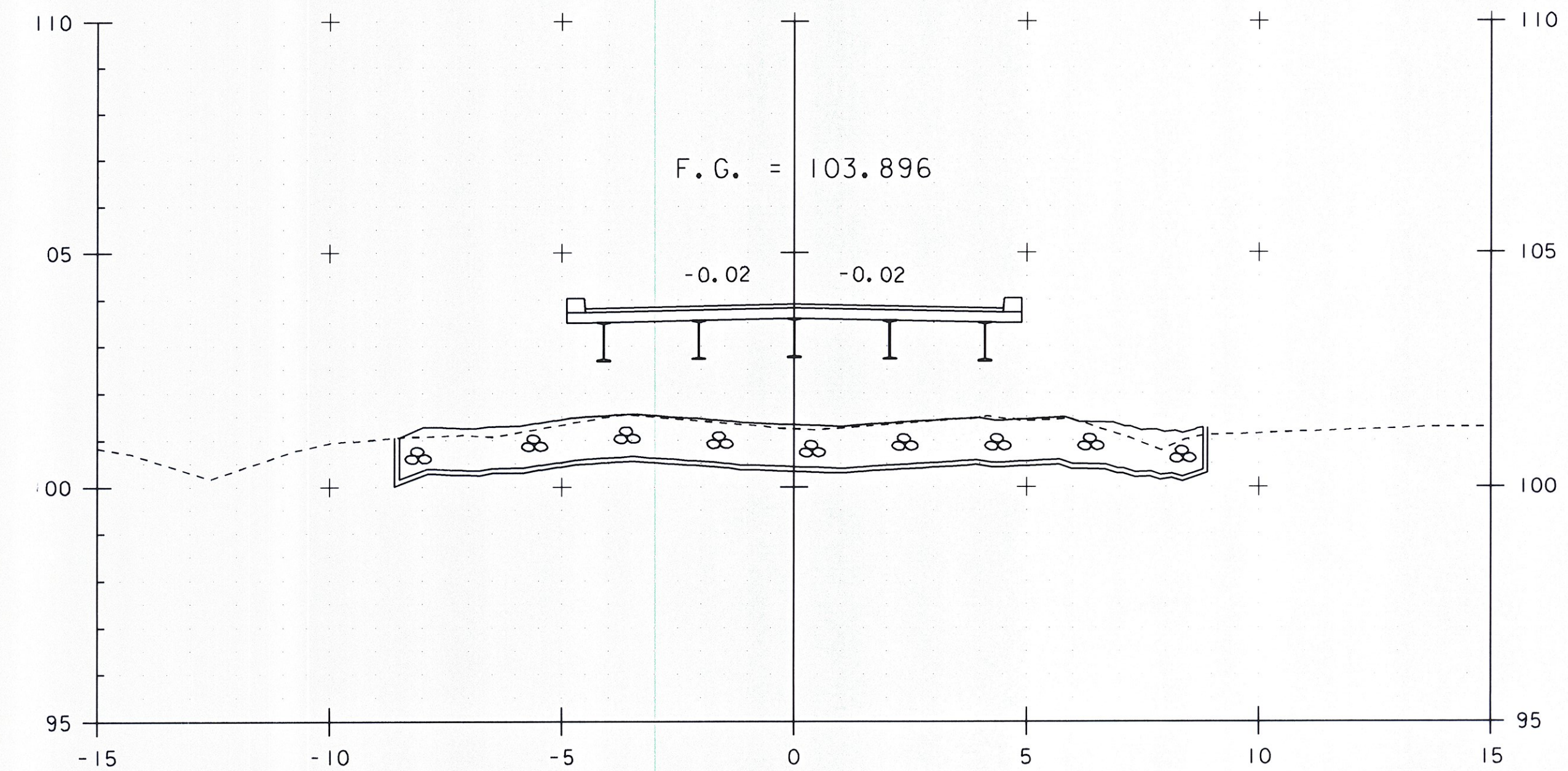
1+124.20

STA 1+124.000
END BRIDGE

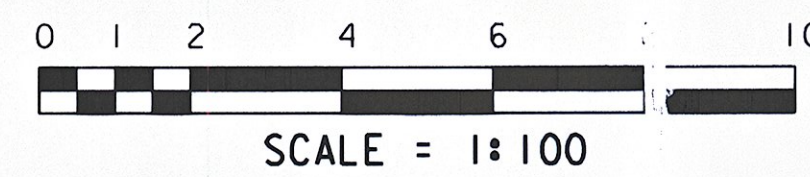


1+110.00

STA 1+105.200
BEGIN BRIDGE



1+120.00



STA. 1+110 TO STA. 1+124

PROJECT NAME:	HINESBURG	PLOT DATE:	02-MAR-2011
PROJECT NUMBER:	STP 0199(2)	DRAWN BY:	C. MOONEY
FILE NAME:	01J282/str/s01J282xsl.dgn	CHECKED BY:	C. CARLSON
PROJECT LEADER:	C. CARLSON	DESIGNED BY:	W. LAMMER
DESIGNED BY:	W. LAMMER	MAINLINE SECTIONS SHEET	5
		SHEET	39 OF 56