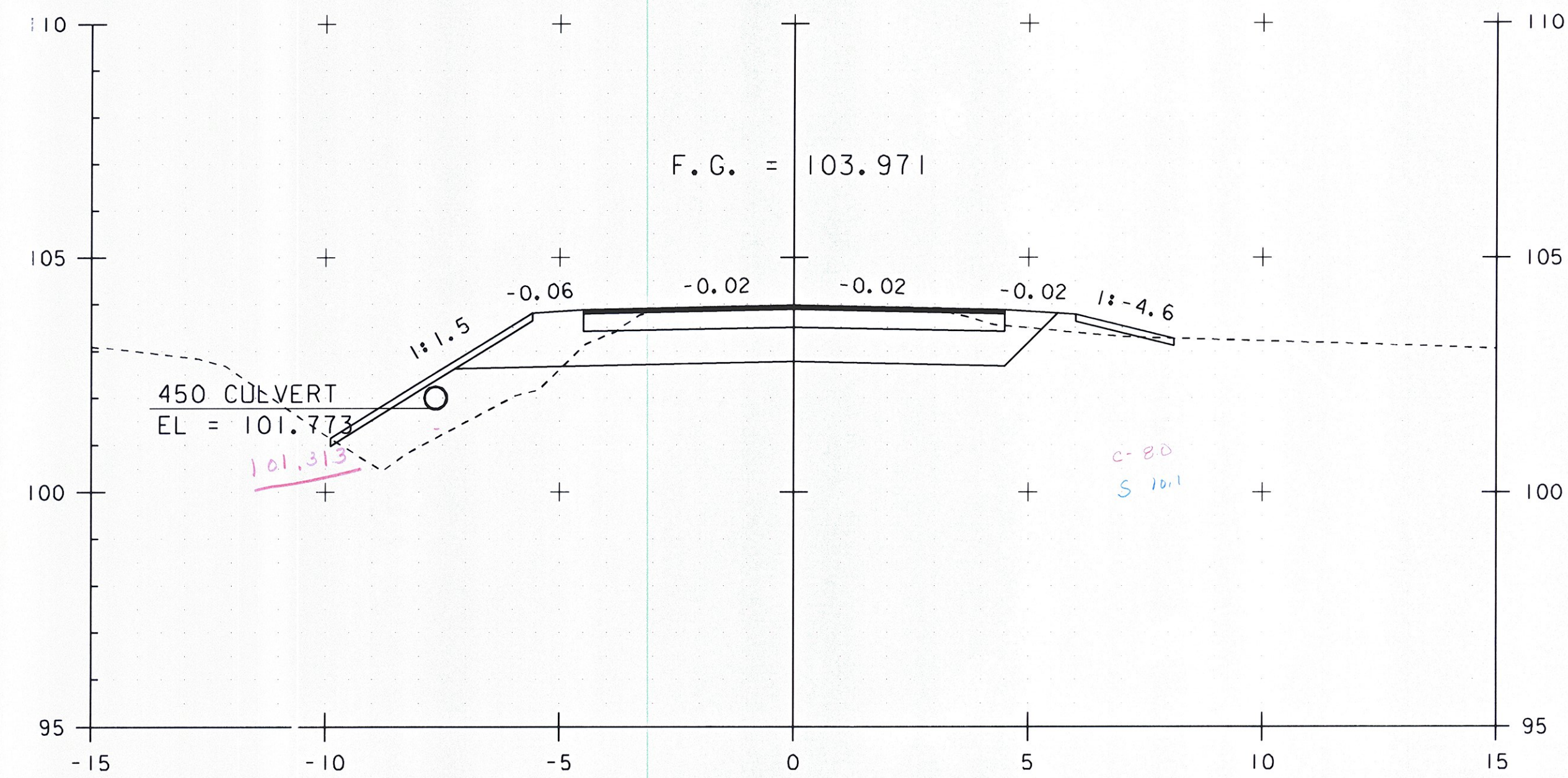
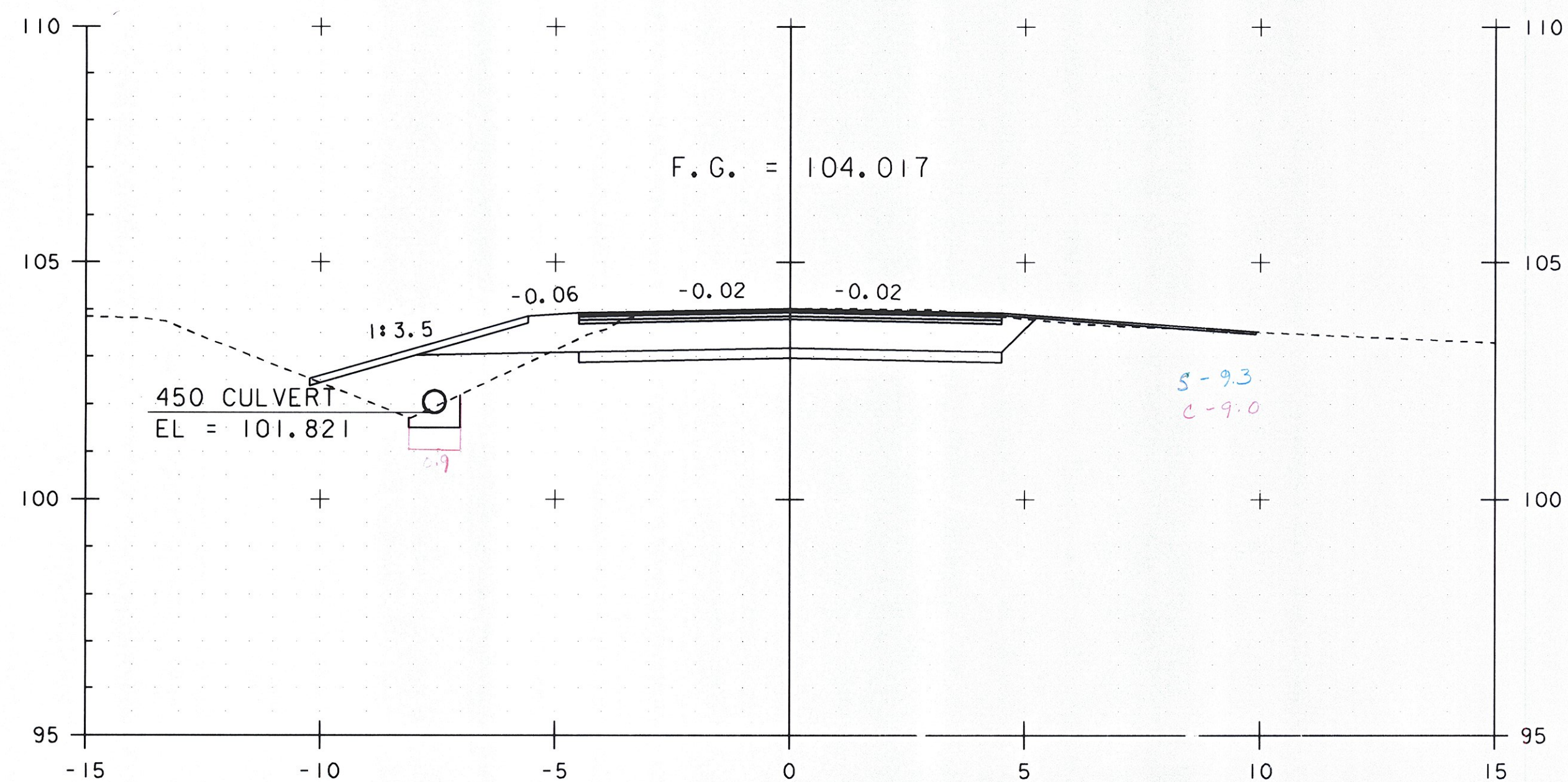


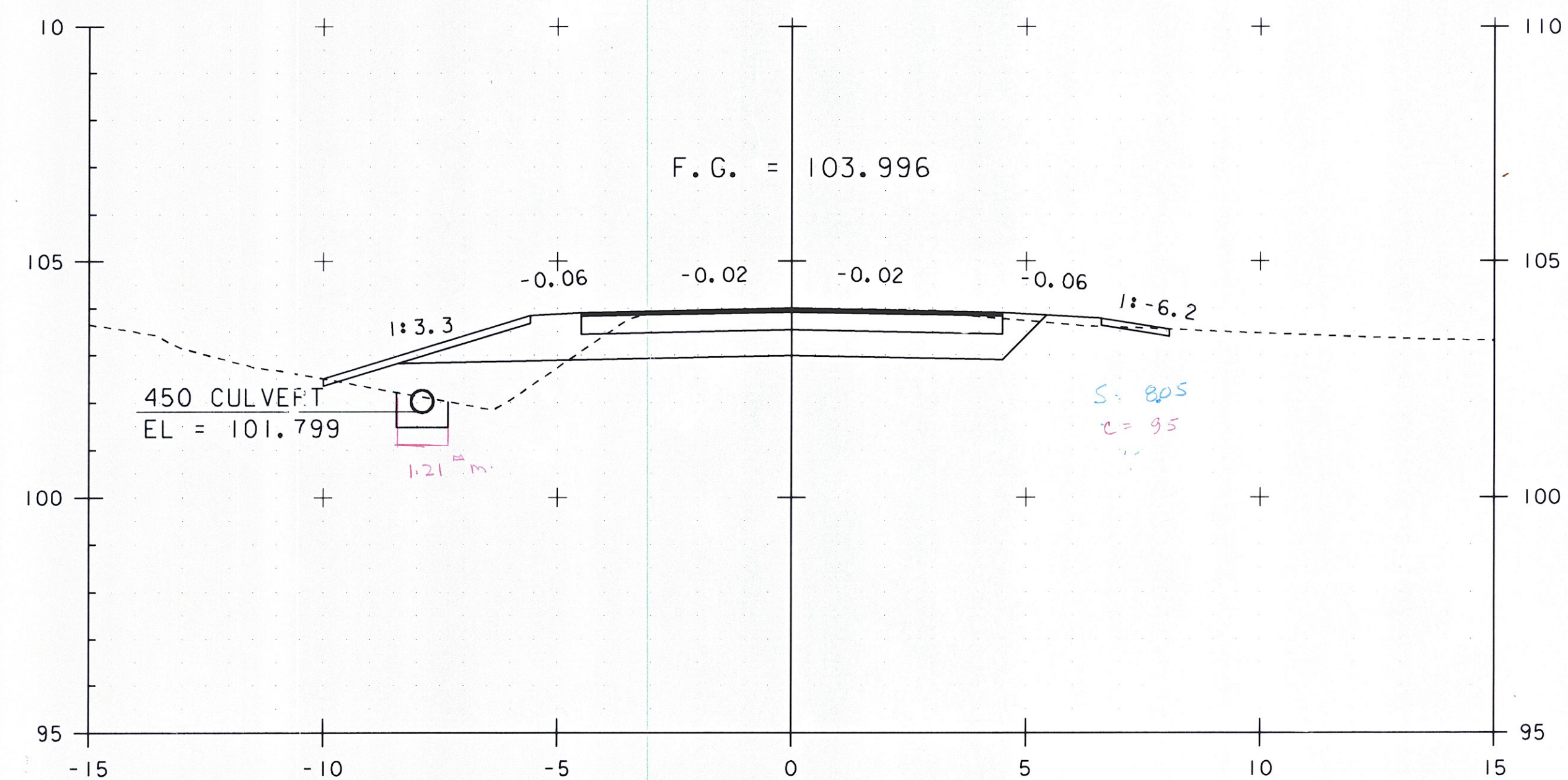
I+099.50



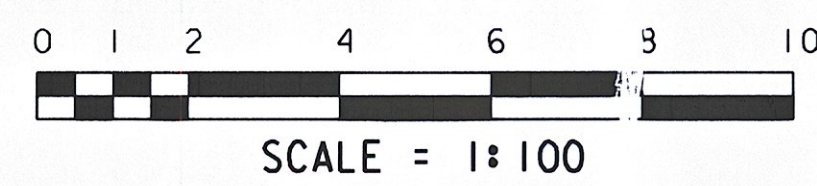
I+105.00



I+095.75



I+100.00



STA. I+096 TO STA. I+105

PROJECT NAME: HINESBURG	PLOT DATE: 02-MAR-2011
PROJECT NUMBER: STP 0199(2)	DRAWN BY: C. MOONEY
FILE NAME: 01J282/s+tr/s01J282xsl.dgn	CHECKED BY: C. CARLSON
PROJECT LEADER: C. CARLSON	SHEET 38 OF 56
DESIGNED BY: W. LAMMER	
MAINLINE SECTIONS SHEET 4	