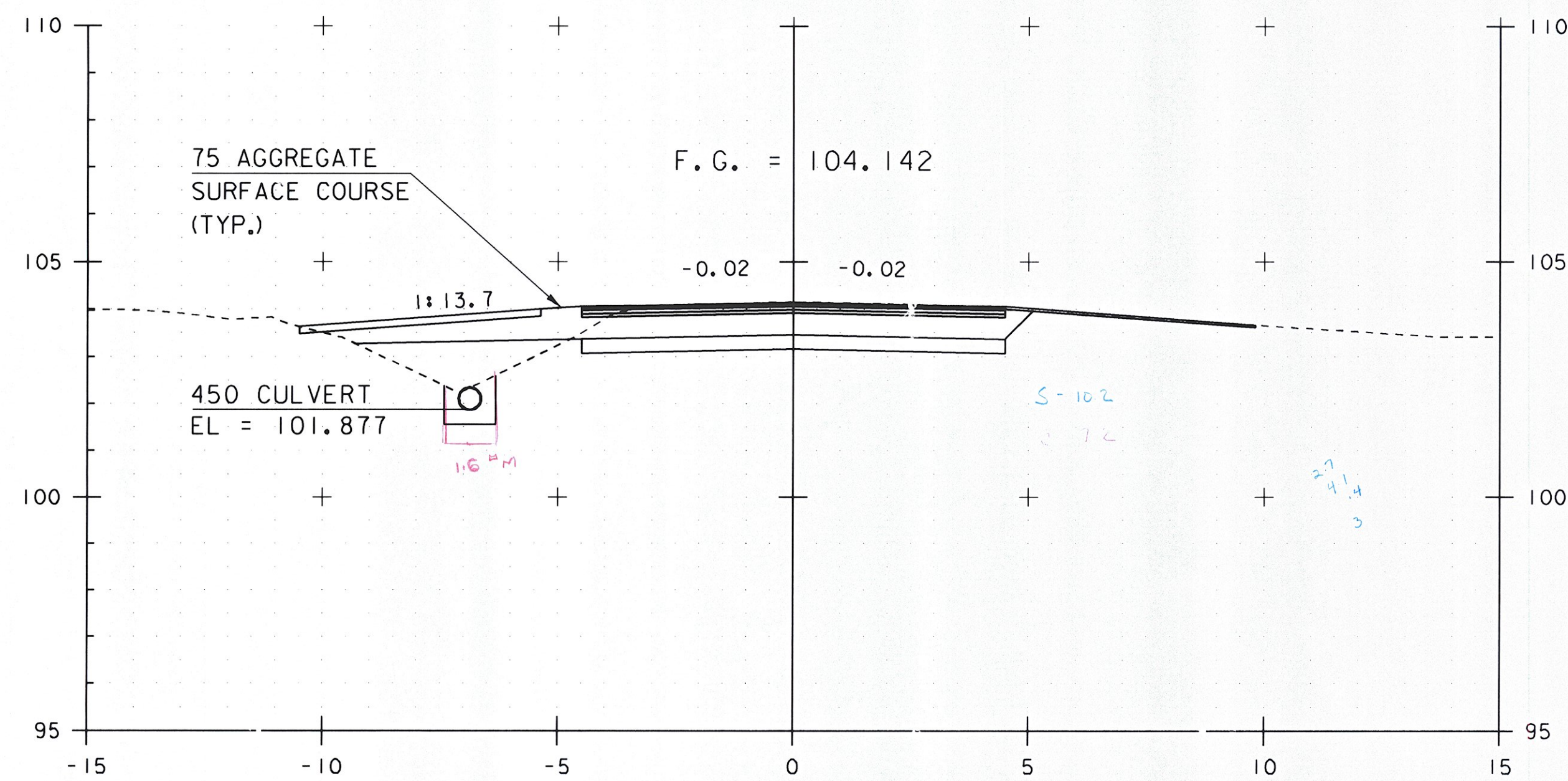
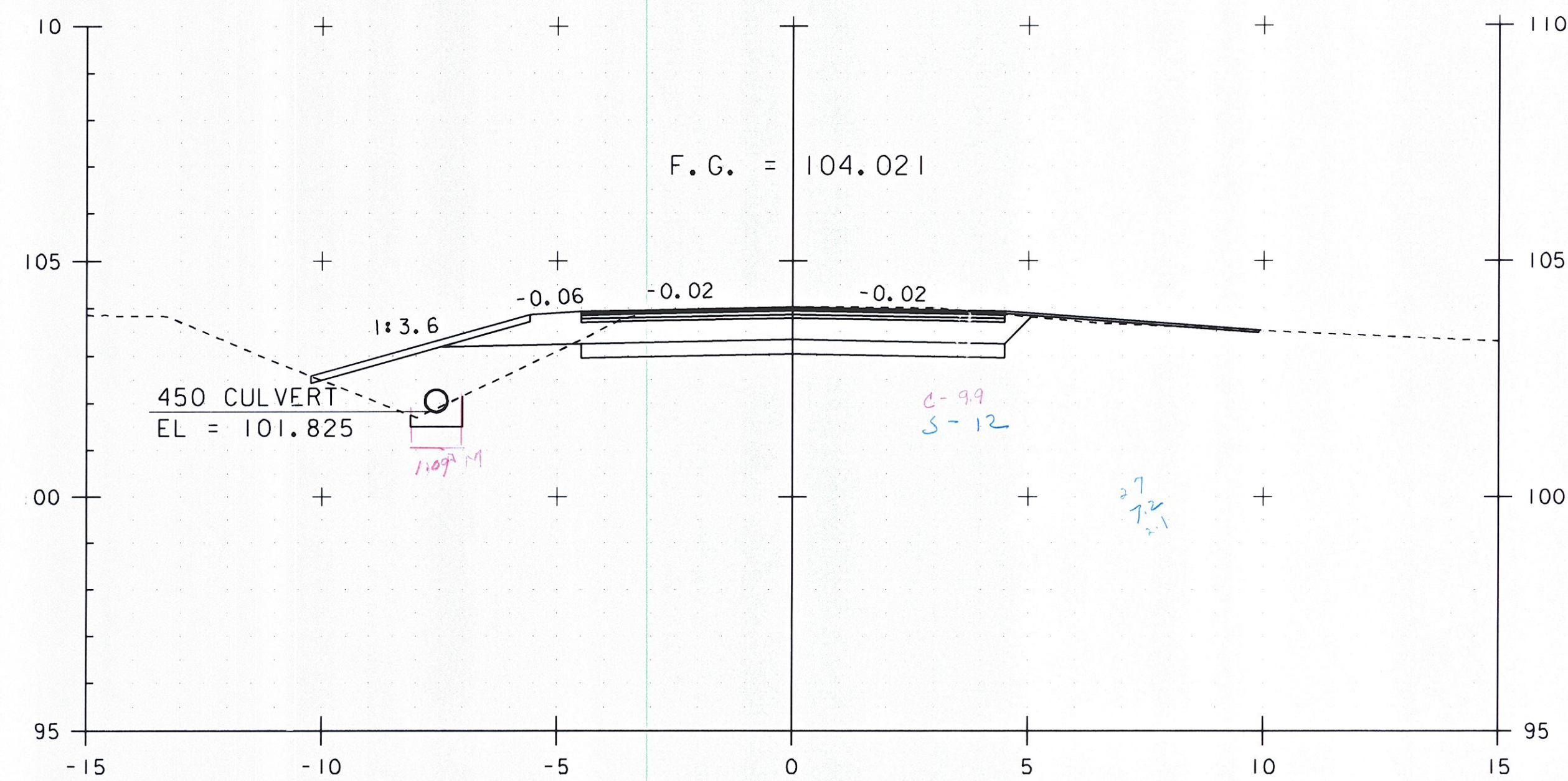


NOTE:
EXISTING CULVERT TYPES, SIZES,
AND FLOW LINE ELEVATIONS TO BE
VERIFIED IN THE FIELD

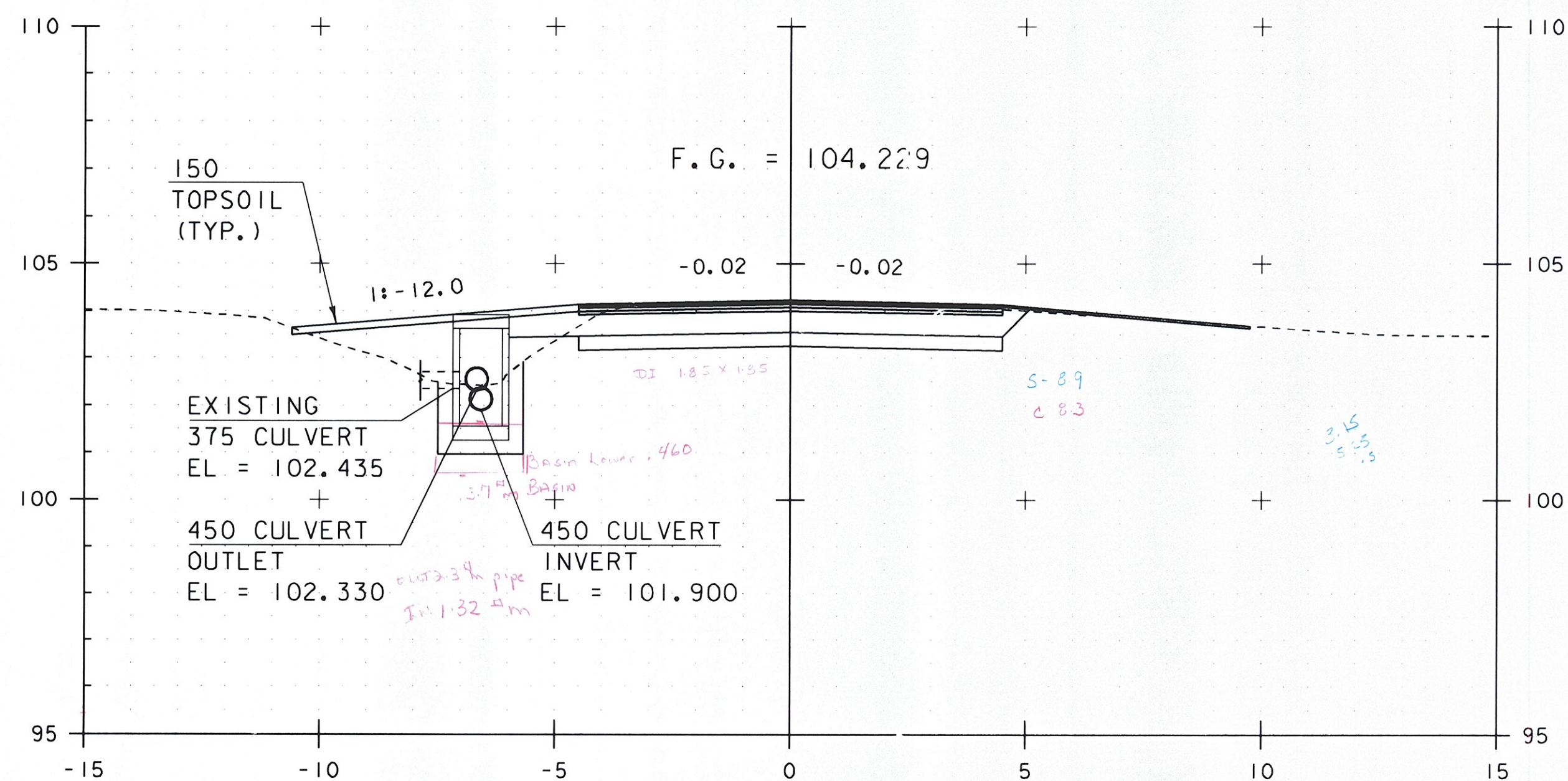


1+085.00

STA. 1+087.00 RT
CONSTRUCT DRIVE

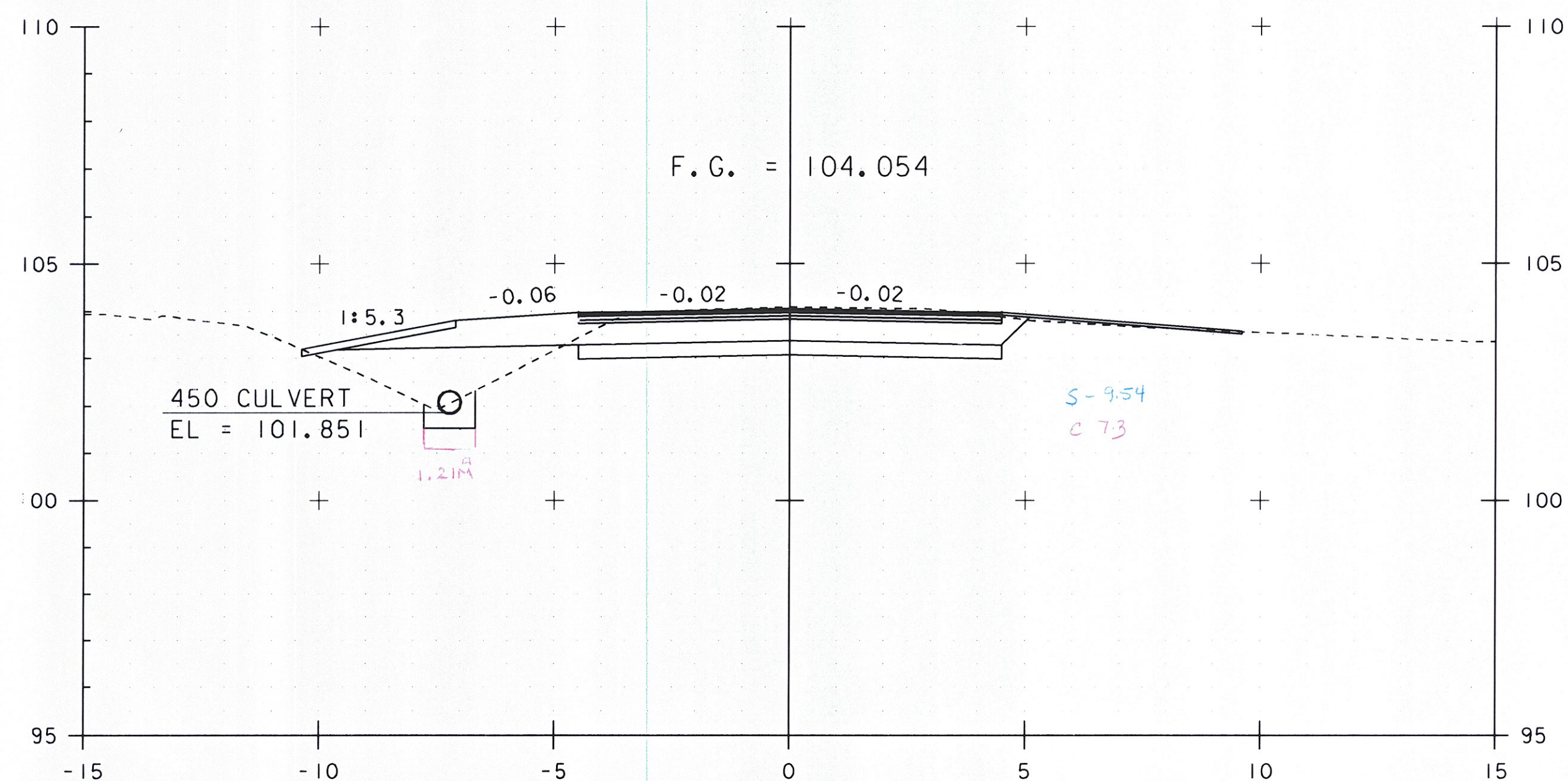


1+095.00

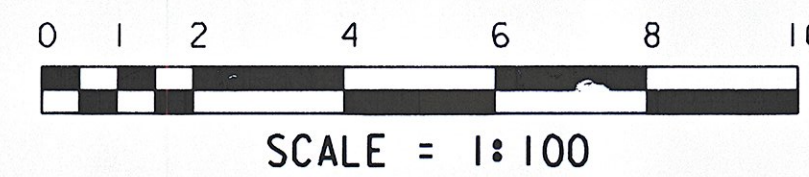


1+080.00

STA. 1+080.50 LT
MATCH NEW DI INTO
EXISTING DRAINAGE
SYSTEM



1+090.00



STA. 1+080 TO STA. 1+095

PROJECT NAME:	HINESBURG	PLOT DATE:	02-MAR-2011
PROJECT NUMBER:	STP 0199(2)	DRAWN BY:	C. MOONEY
FILE NAME:	01J282/str/s01J282xsl.dgn	CHECKED BY:	C. CARLSON
PROJECT LEADER:	C. CARLSON	MAINLINE SECTIONS SHEET	3
DESIGNED BY:	W. LAMMER		
			SHEET 37 OF 56