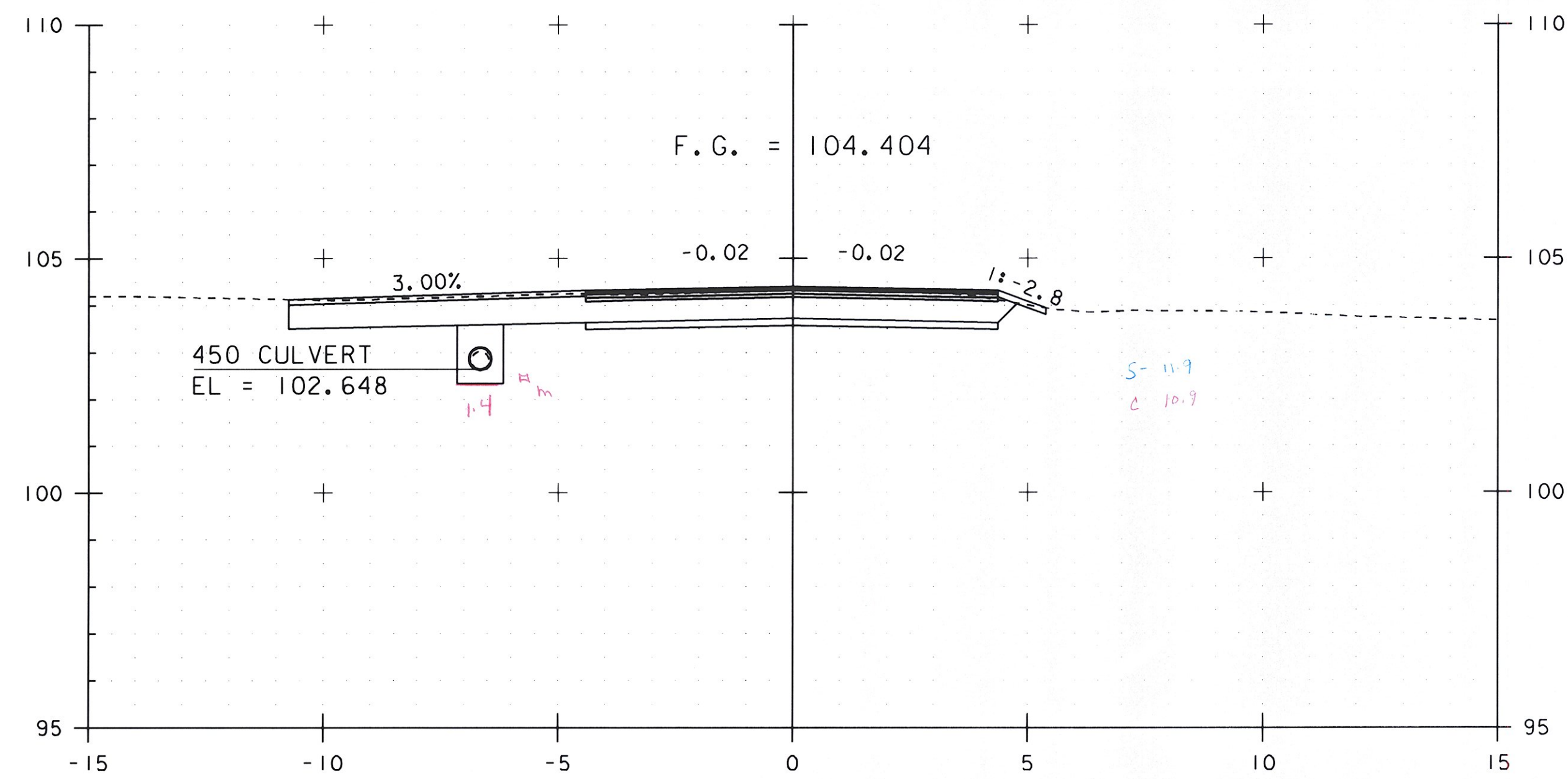
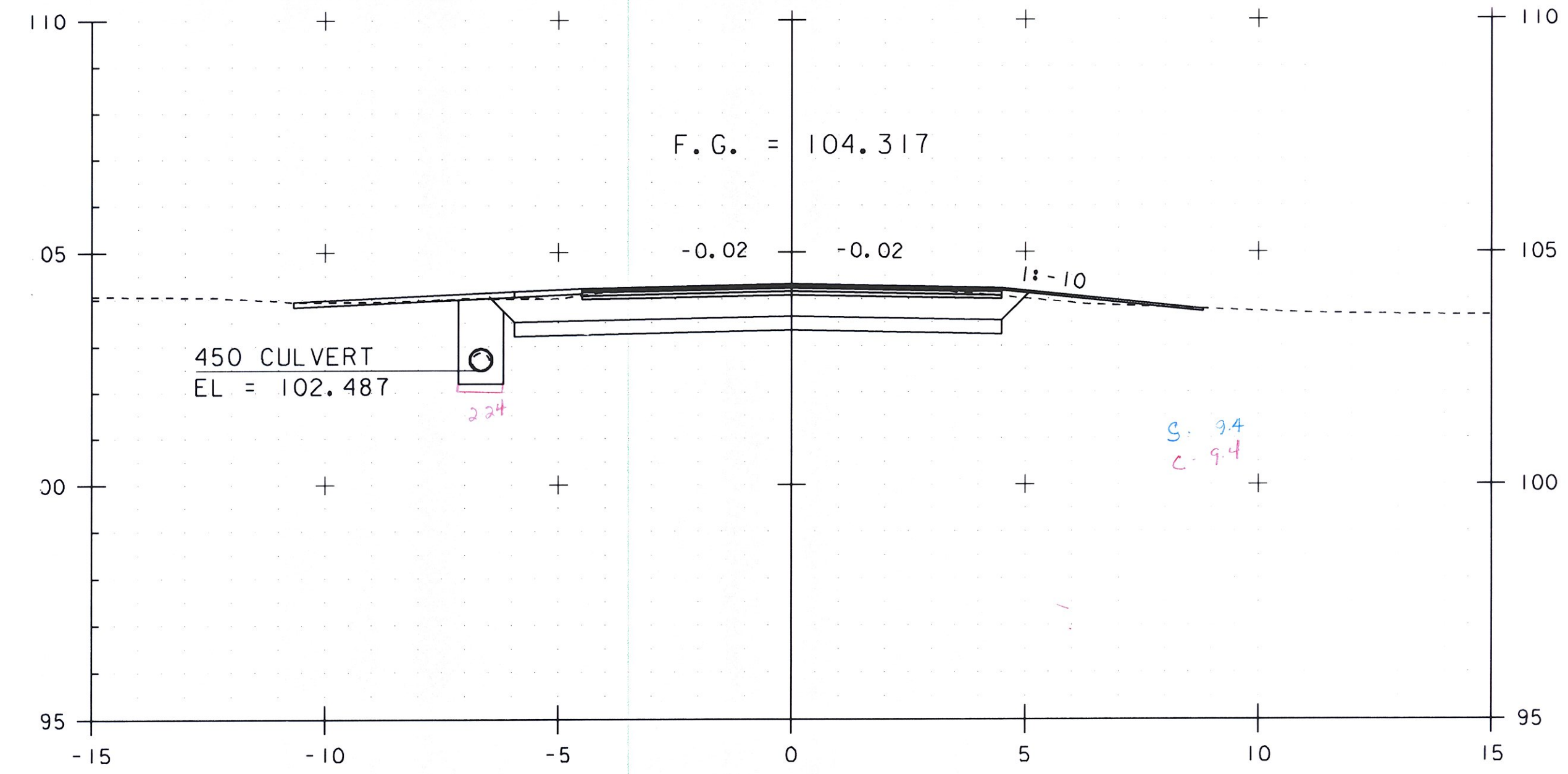


NOTE:
EXISTING CULVERT TYPES, SIZES,
AND FLOW LINE ELEVATIONS TO BE
VERIFIED IN THE FIELD

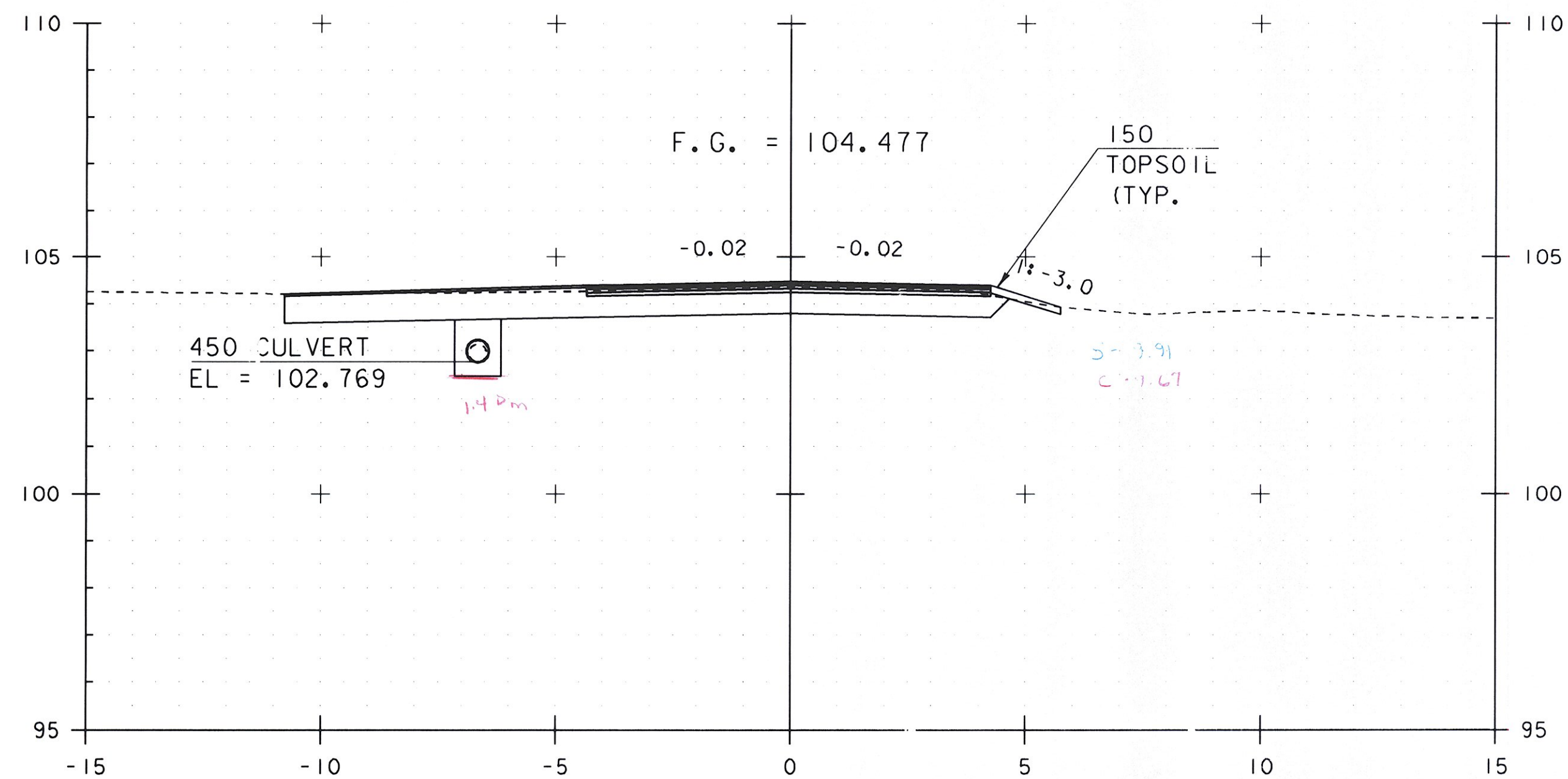


STA 1+070.00 LT
CONSTRUCT DRIVE
SEE SHEET 8 FOR DETAILS

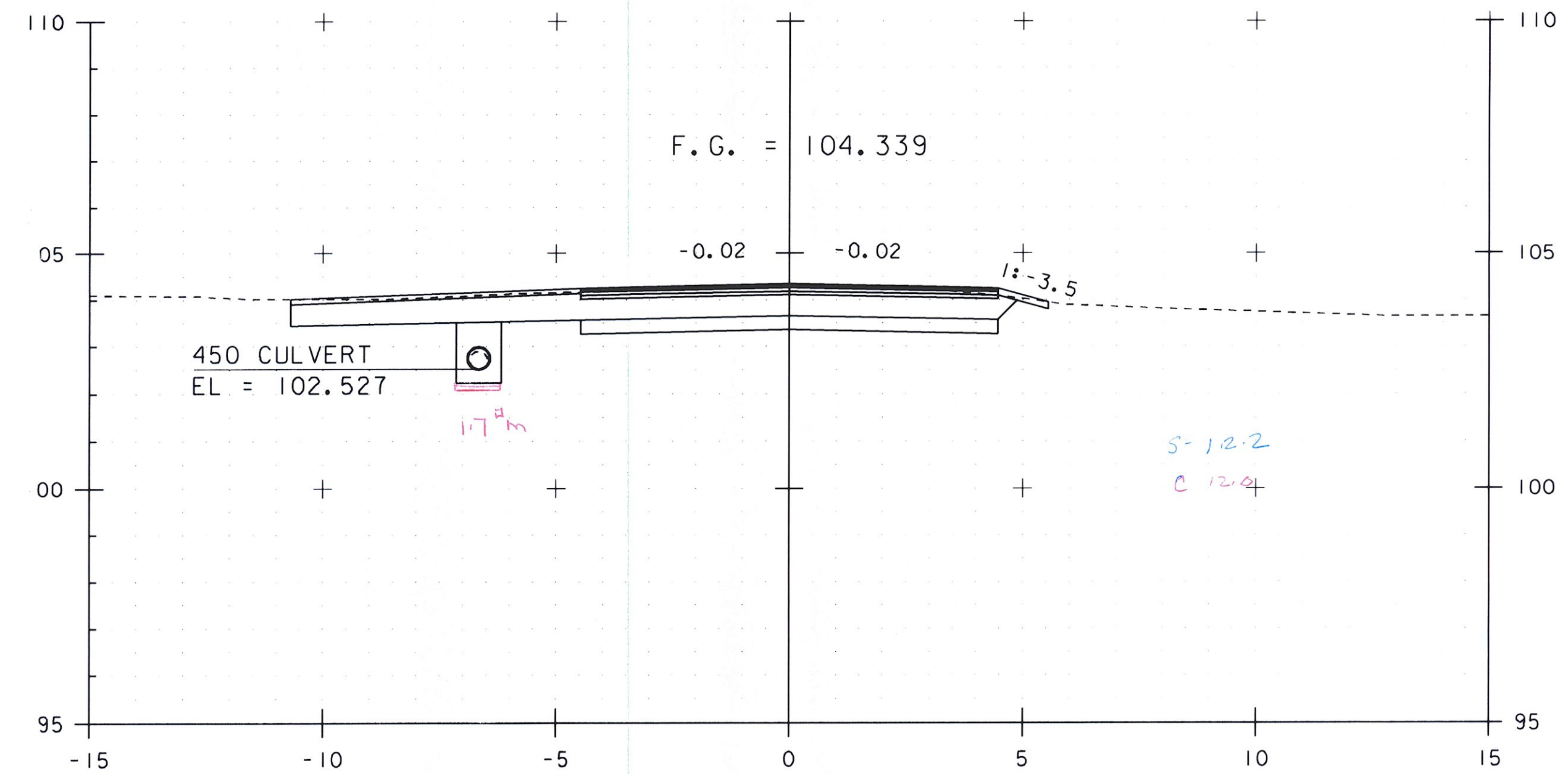
1+070.00



1+075.00

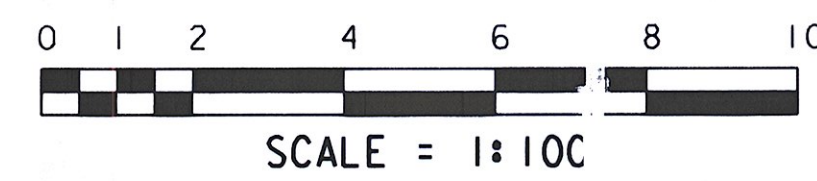


1+066.25



STA 1+073.75
BEGIN PROJECT
END APPROACH

1+073.75



STA. 1+066 TO STA. 1+075

PROJECT NAME:	HINESBURG	FILE NAME:	01j282/str/s01j282xsl.dgn	PLOT DATE:	02-MAR-2011
PROJECT NUMBER:	STP 0199(2)	PROJECT LEADER:	C. CARLSON	DRAWN BY:	C. MOONEY
		DESIGNED BY:	W. LAMMER	CHECKED BY:	C. CARLSON
		MAINLINE SECTIONS SHEET 2		SHEET	36 OF 56