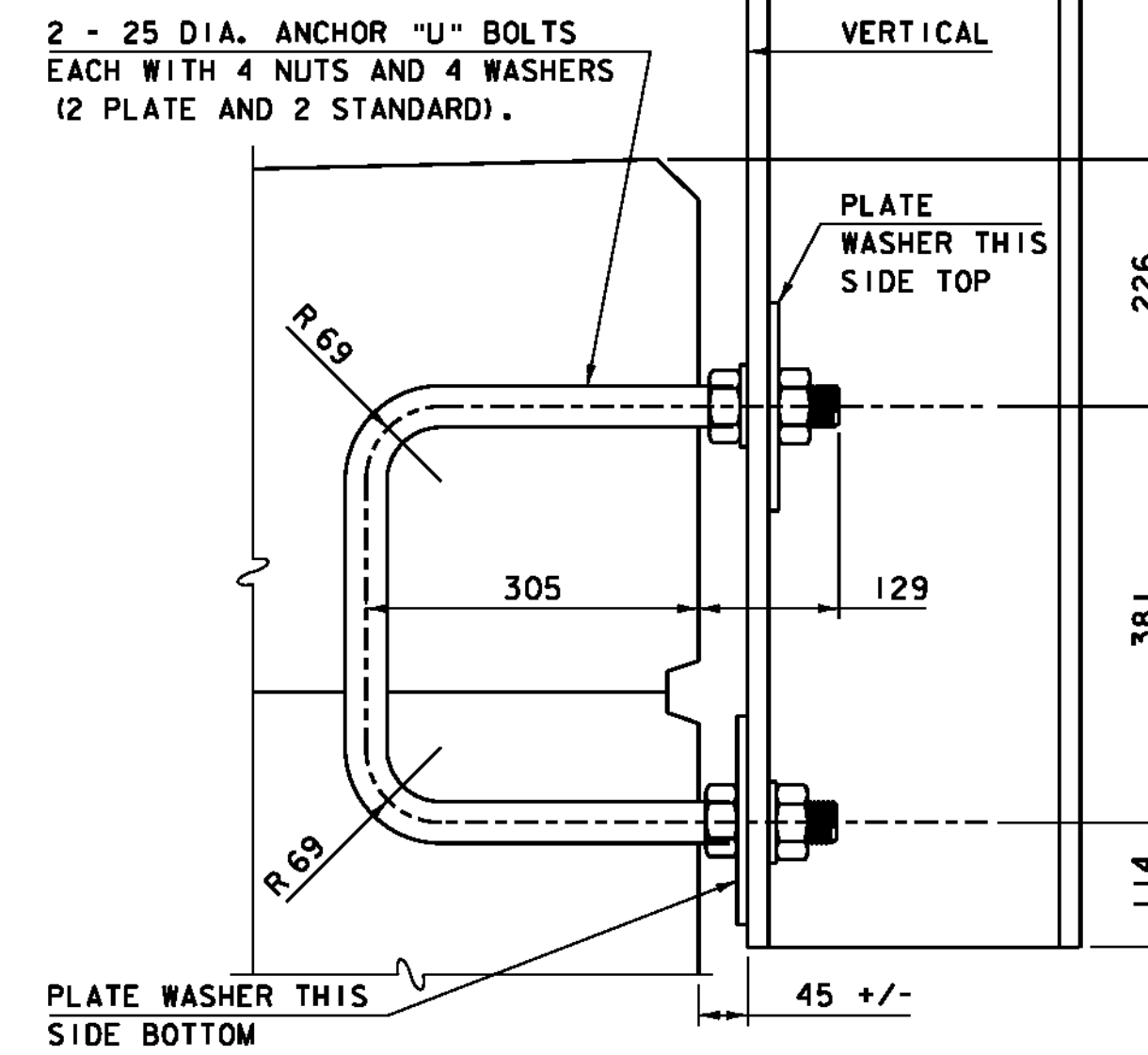
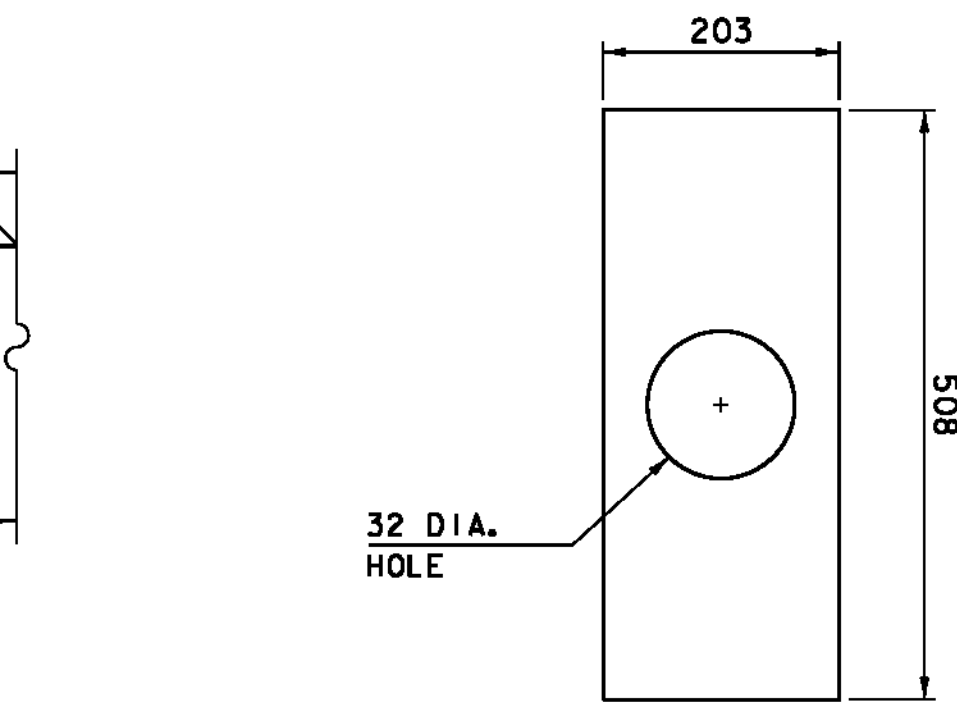


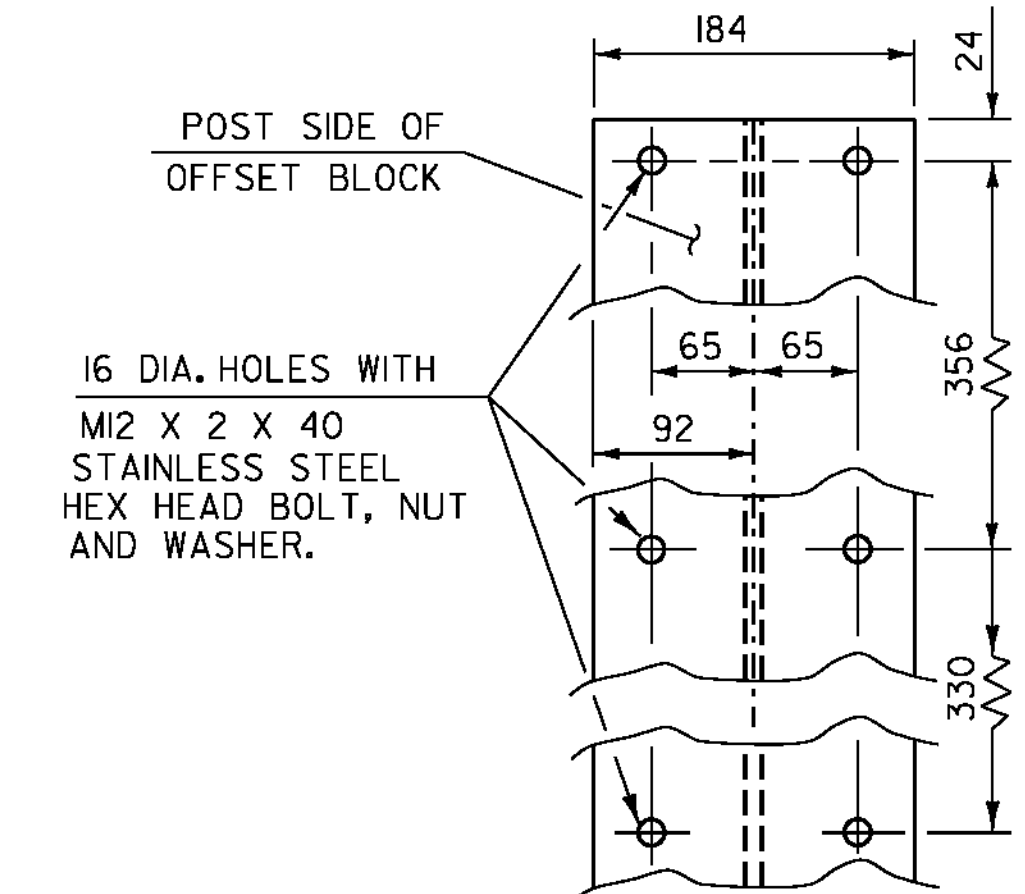
**SIDE ELEVATION OF THREE RAIL**



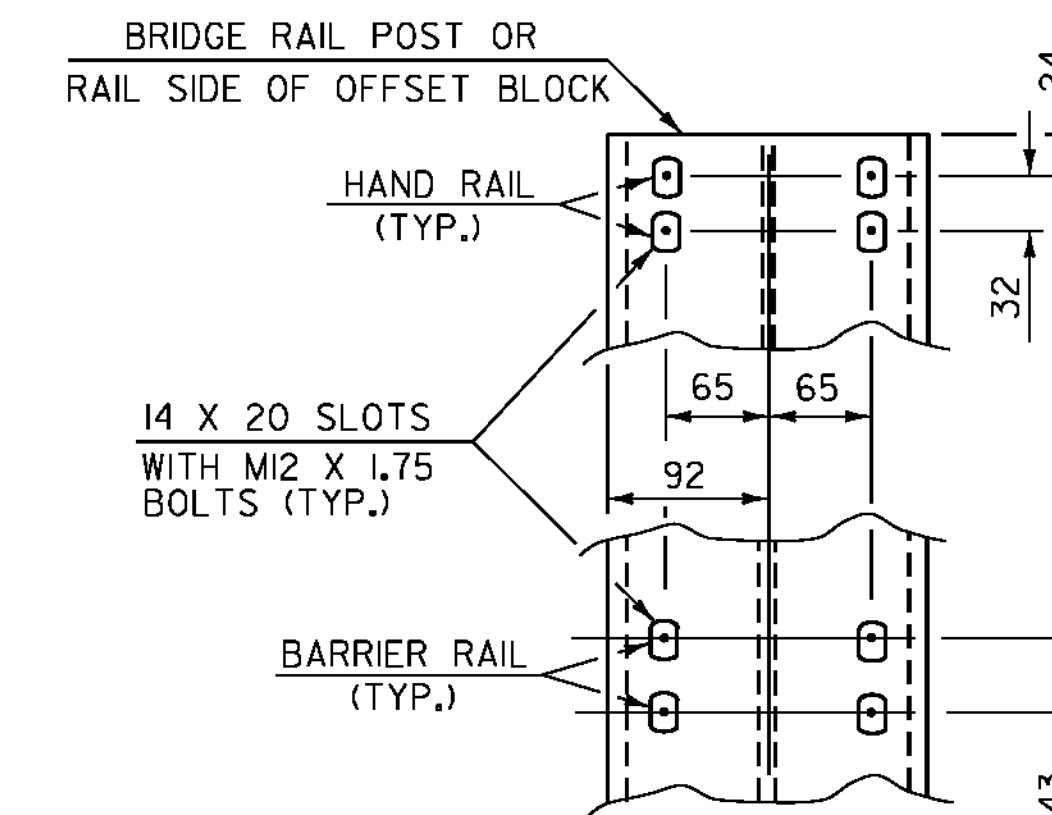
**ANCHORAGE DETAIL**



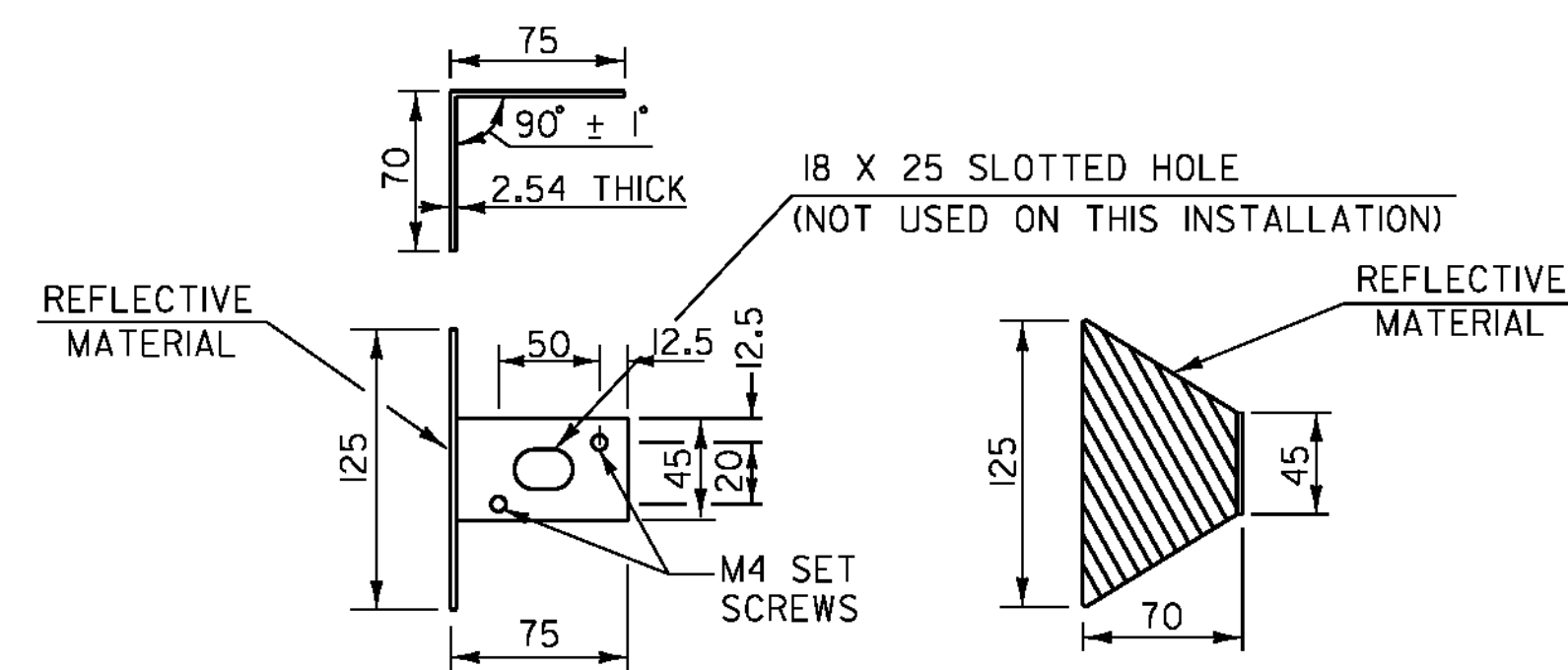
**PLATE WASHER DETAIL**



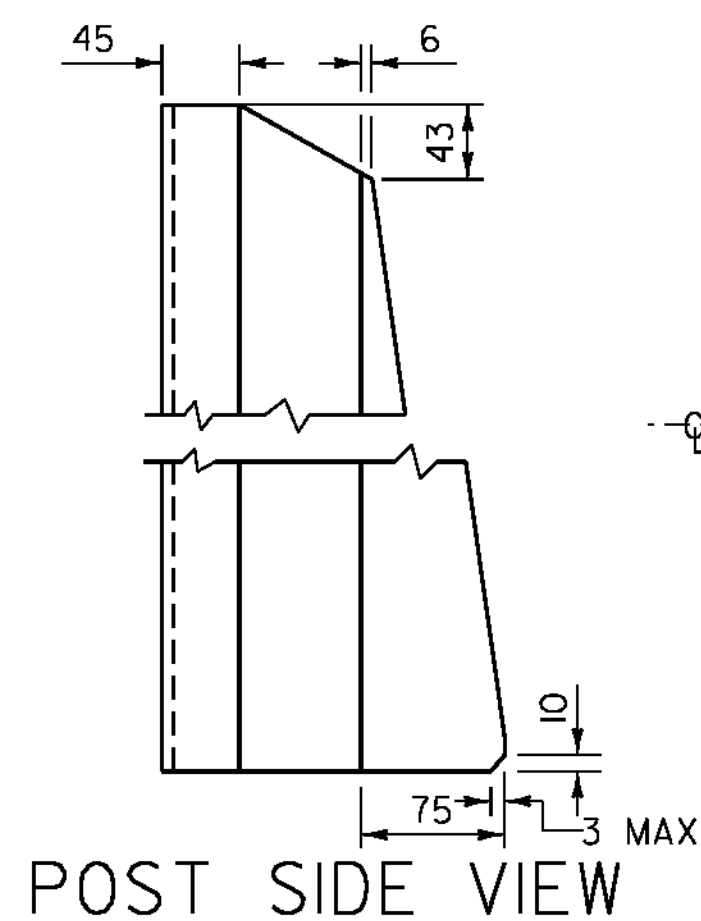
**OFFSET BLOCK CONNECTION**



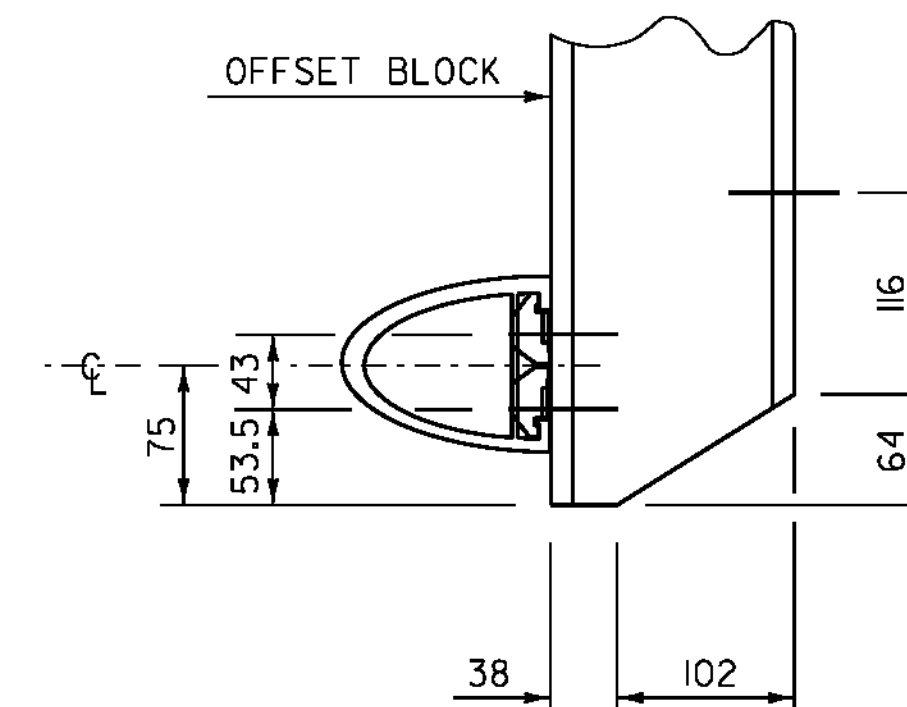
**RAIL CONNECTION**



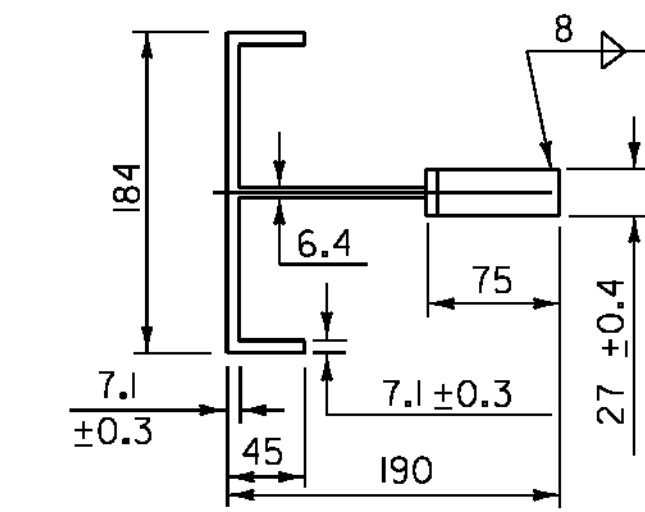
**REFLECTOR DETAILS**



**POST SIDE VIEW**



**COPING DETAIL**



**POST PLAN VIEW**

**NOTES**

1. THIS REFLECTORIZED ALUMINUM DELINEATOR IS TO BE ERECTED EVERY 9 m (OR CLOSEST POST) WITH 2-M4 X 0.7 X 20 SET SCREWS.
2. DELINEATORS SHALL MEET SPECIFICATION REQUIREMENTS FOR ASTM B 209M ALLOY 5052-H32.
3. RETROREFLECTIVE MATERIAL SHALL MEET THE REQUIREMENTS OF SUBSECTION 750.08 AND SHALL BE OF ENCAPSULATED LENS SILVER.
4. PAYMENT SHALL BE INCIDENTAL TO ITEM 525.225 BRIDGE RAILING, ANNODIZED 3 RAIL ALUMINUM.

**ALUMINUM BRIDGE RAILING DETAILS I**

PROJECT NAME: HINESBURG	PLOT DATE: 02-MAR-2011
PROJECT NUMBER: STP 0199(2)	DRAWN BY: C. MOONEY
FILE NAME: 01J282/str/s01J282rail.dgn	CHECKED BY: C. CARLSON
PROJECT LEADER: C. CARLSON	SHEET 30 OF 56
DESIGNED BY: W. LAMMER	
ALUMINUM BRIDGE RAILING DETAILS I	