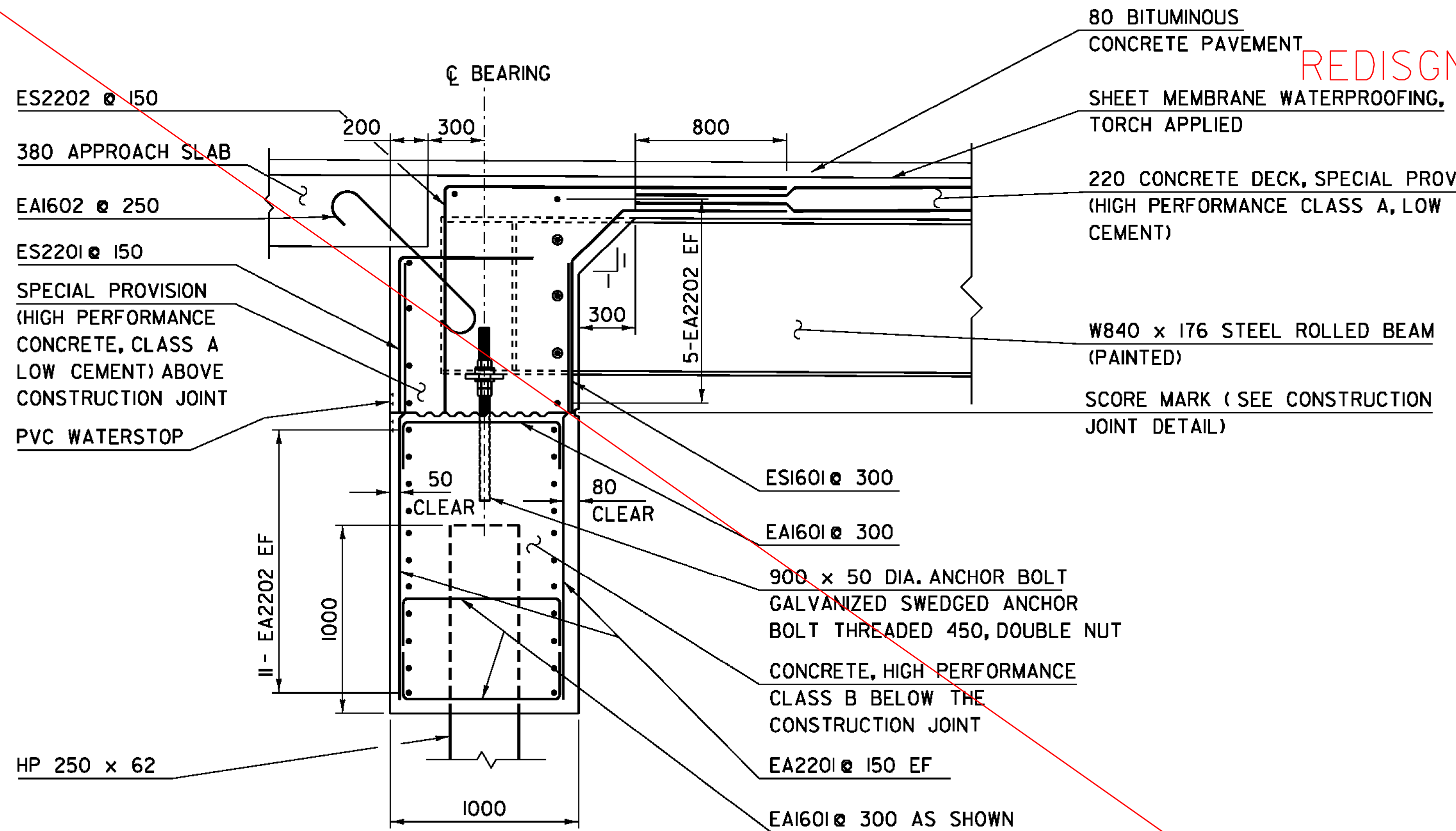
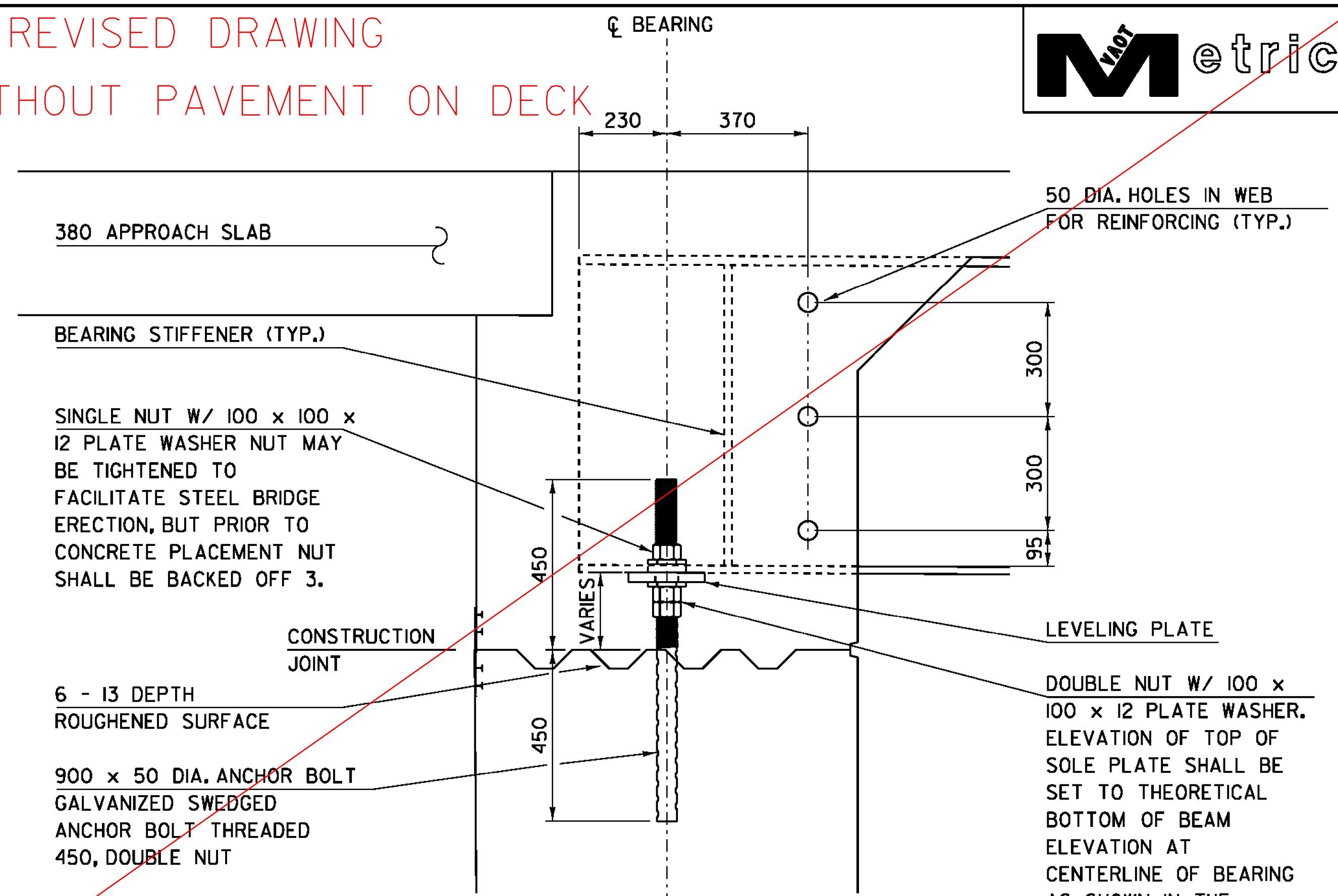
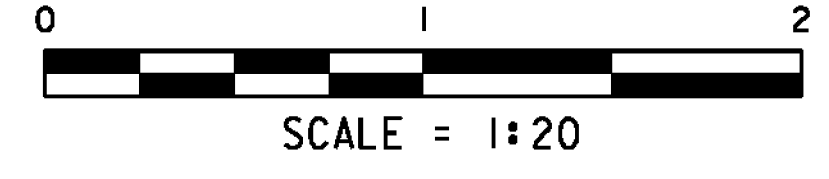


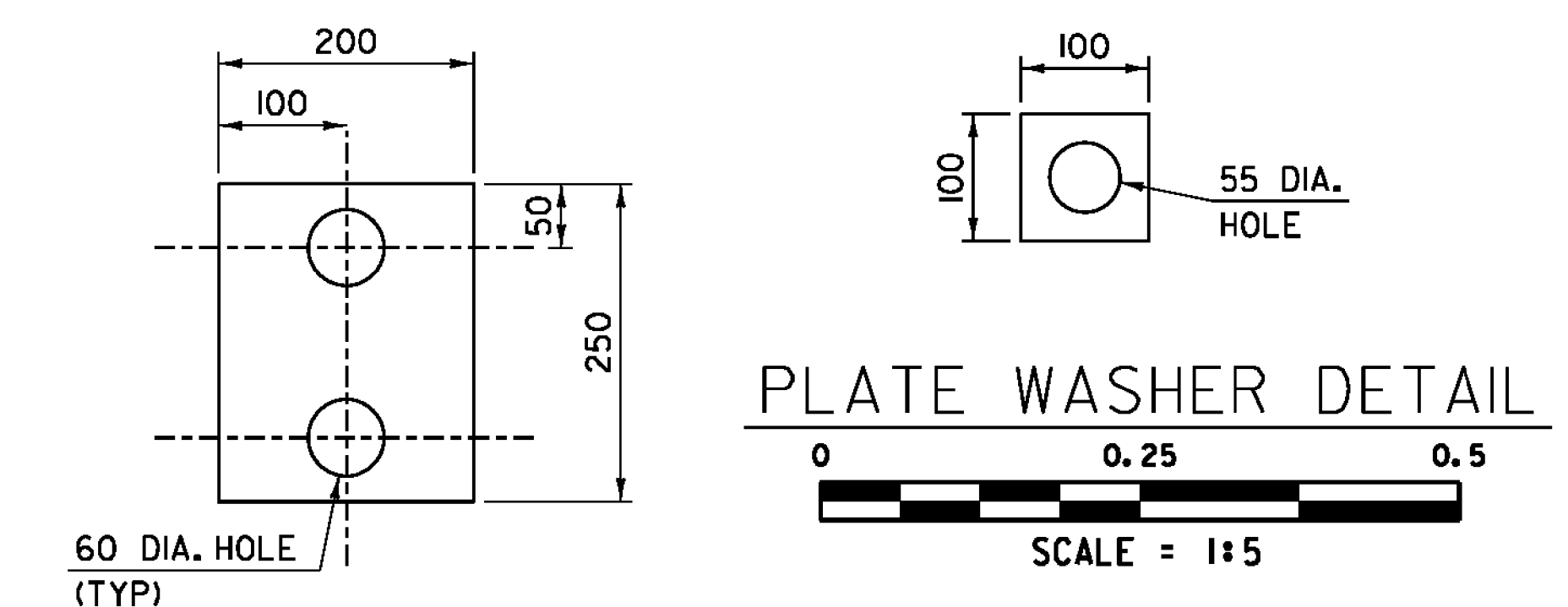
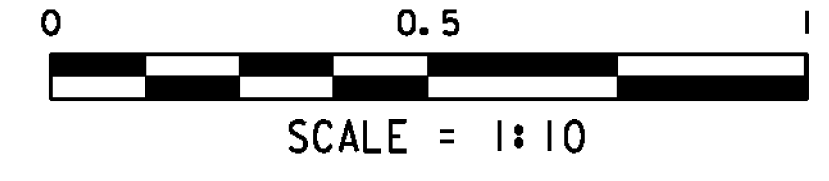
SEE REVISED DRAWING
 REDISIGNED WITHOUT PAVEMENT ON DECK



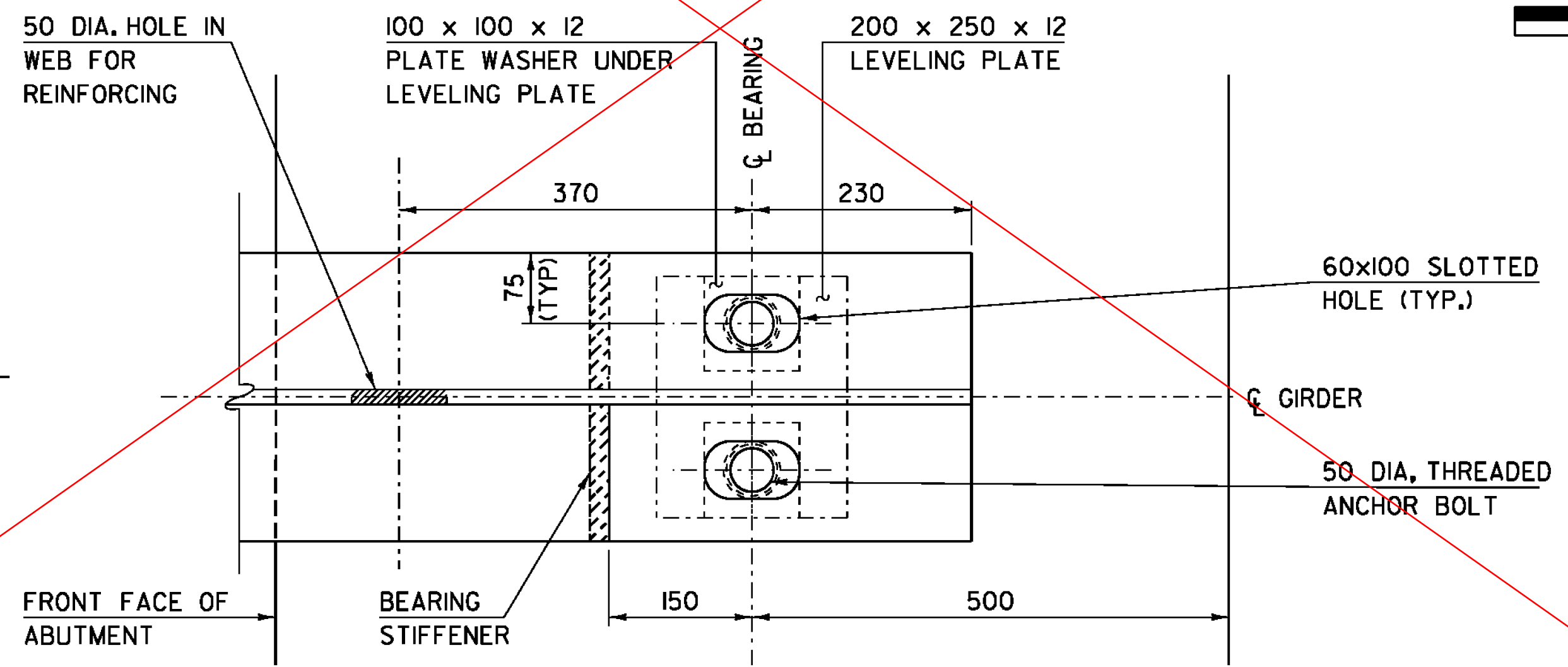
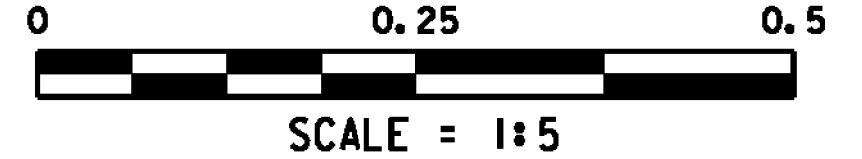
TYPICAL ABUTMENT SECTION



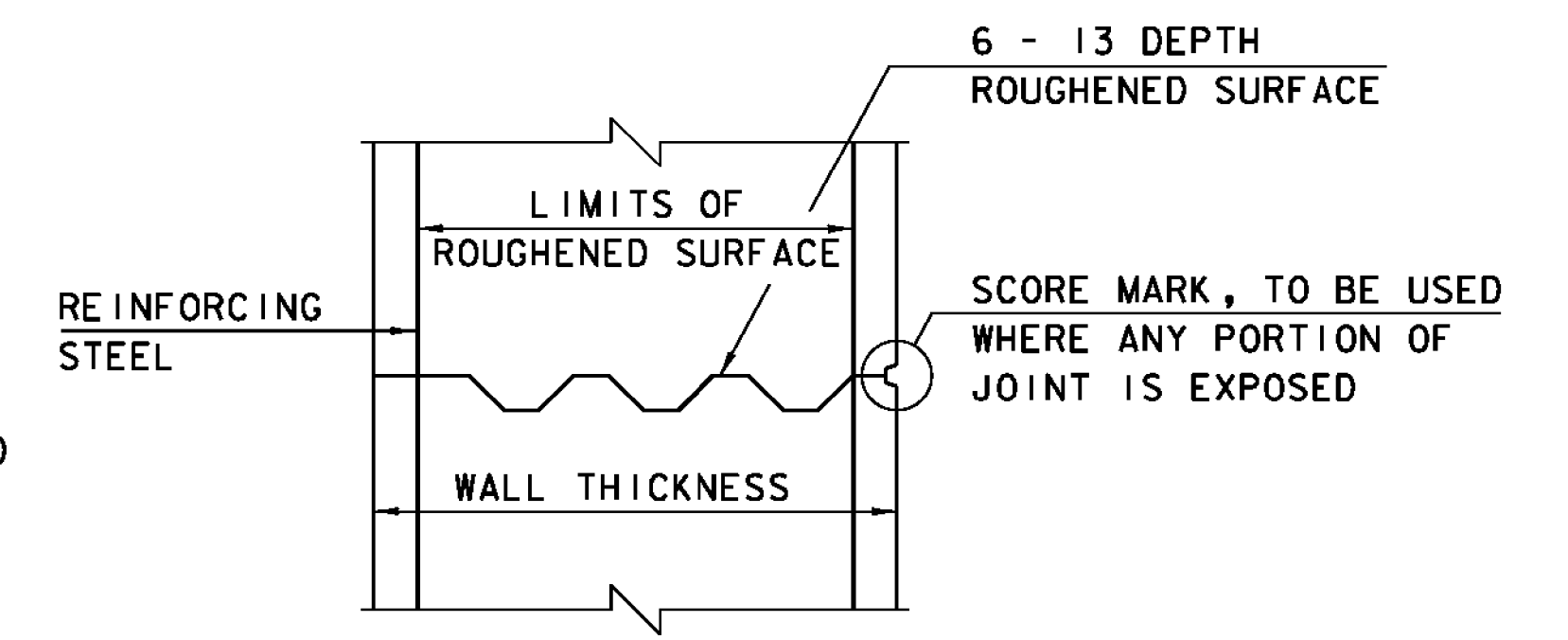
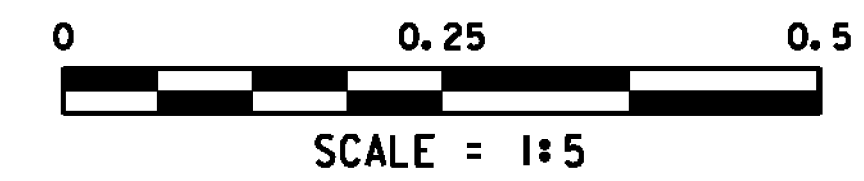
ELEVATION VIEW END OF BEAM ANCHOR BOLT DETAIL



LEVELING PLATE DETAIL



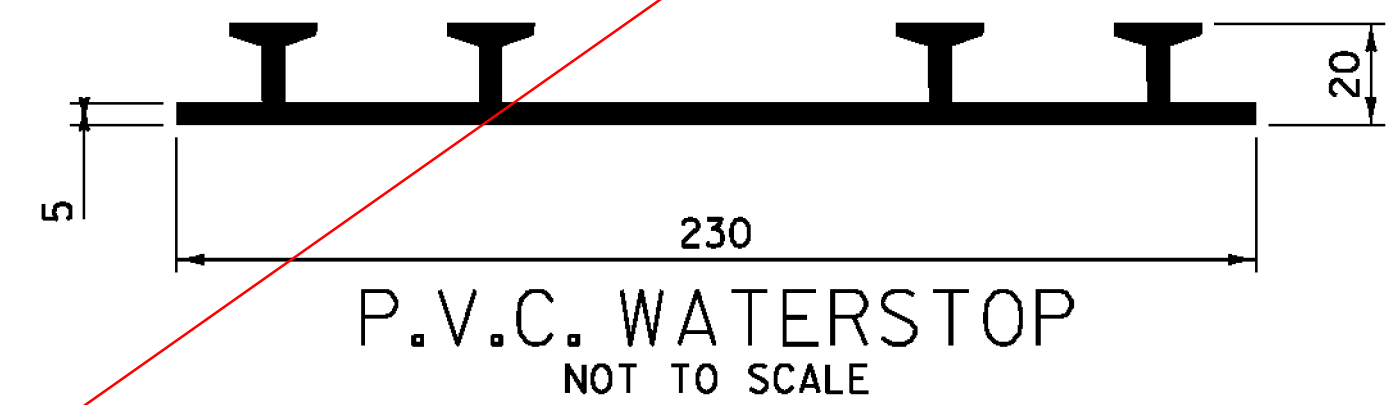
PLAN VIEW END OF BEAM ANCHOR BOLT DETAIL



TYPICAL HORIZONTAL CONSTRUCTION JOINT (NOT TO SCALE)

1. THE SURFACE OF THE CONCRETE CONSTRUCTION JOINTS SHALL BE CLEANED AND FREE OF LAITANCE.
2. IMMEDIATELY BEFORE NEW CONCRETE IS PLACED, ALL CONSTRUCTION JOINTS SHALL BE WETTED AND STANDING WATER REMOVED.

THEORETICAL BOTTOM OF BEAM ELEVATION AT CENTERLINE OF BEARING		
	ABUTMENT # 1	ABUTMENT # 2
GIRDER # 1	102.730	102.639
GIRDER # 2	102.771	102.680
GIRDER # 3	102.812	102.721
GIRDER # 4	102.771	102.680
GIRDER # 5	102.730	102.639



THE COST FOR P.V.C. WATERSTOP SHALL BE INCLUDED IN THE UNIT PRICE BID FOR CONCRETE. OTHER CONFIGURATIONS MAY BE USED UPON APPROVAL OF THE ENGINEER.

BEARING DEVICE ASSEMBLY NOTES

1. ALL COMPONENTS OF BEARING DEVICE ASSEMBLY, INCLUDING ANCHOR BOLTS, NUTS, WASHERS AND LEVELING PLATES SHALL BE PAID FOR UNDER ITEM 506.50, "STRUCTURAL STEEL, ROLLED BEAM".
2. COMPONENTS DO NOT HAVE TO BE GALVANIZED OR METALIZED.
3. ALL STEEL IN BEARING DEVICE ASSEMBLY SHALL BE AASHTO M 270M/M 270 GRADE 250.

NOTES:
 NF = NEAR FACE
 FF = FAR FACE
 EF = EACH FACE
 Δ = CUT TO FIT IN FIELD
 80 CLR. UNLESS OTHERWISE SPECIFIED ON THE PLANS

PROJECT NAME: HINESBURG	PLOT DATE: 02-MAR-2011
PROJECT NUMBER: STP 0199(2)	DRAWN BY: C. MOONEY
FILE NAME: 01J282/str/s01J282 str.dgn	CHECKED BY: C. MOONEY
DESIGNED BY: W. LAMMER	ABUTMENT TYPICAL AND BEARING DETAILS
	SHEET 25 OF 56