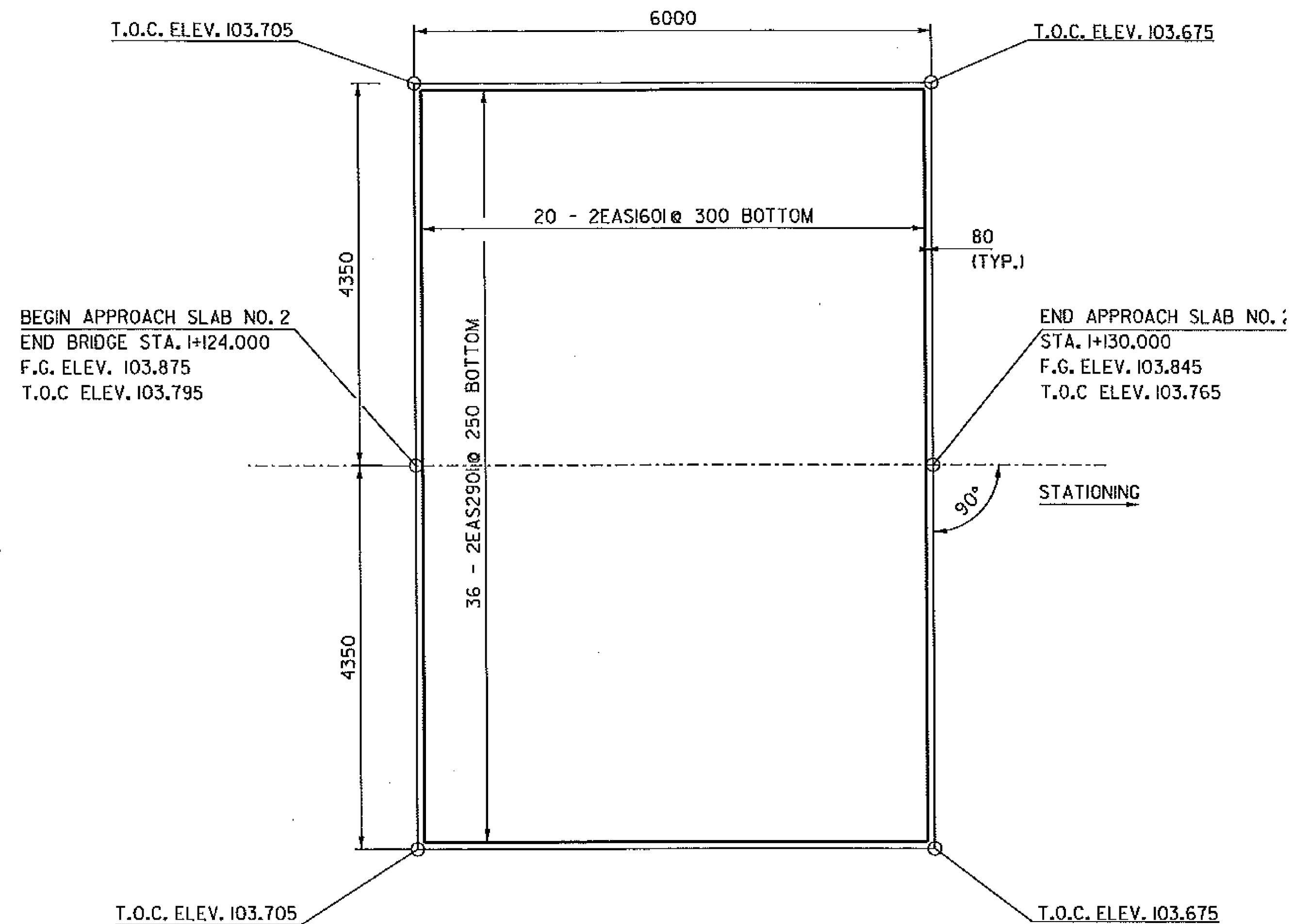
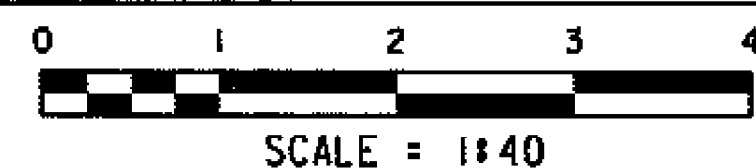
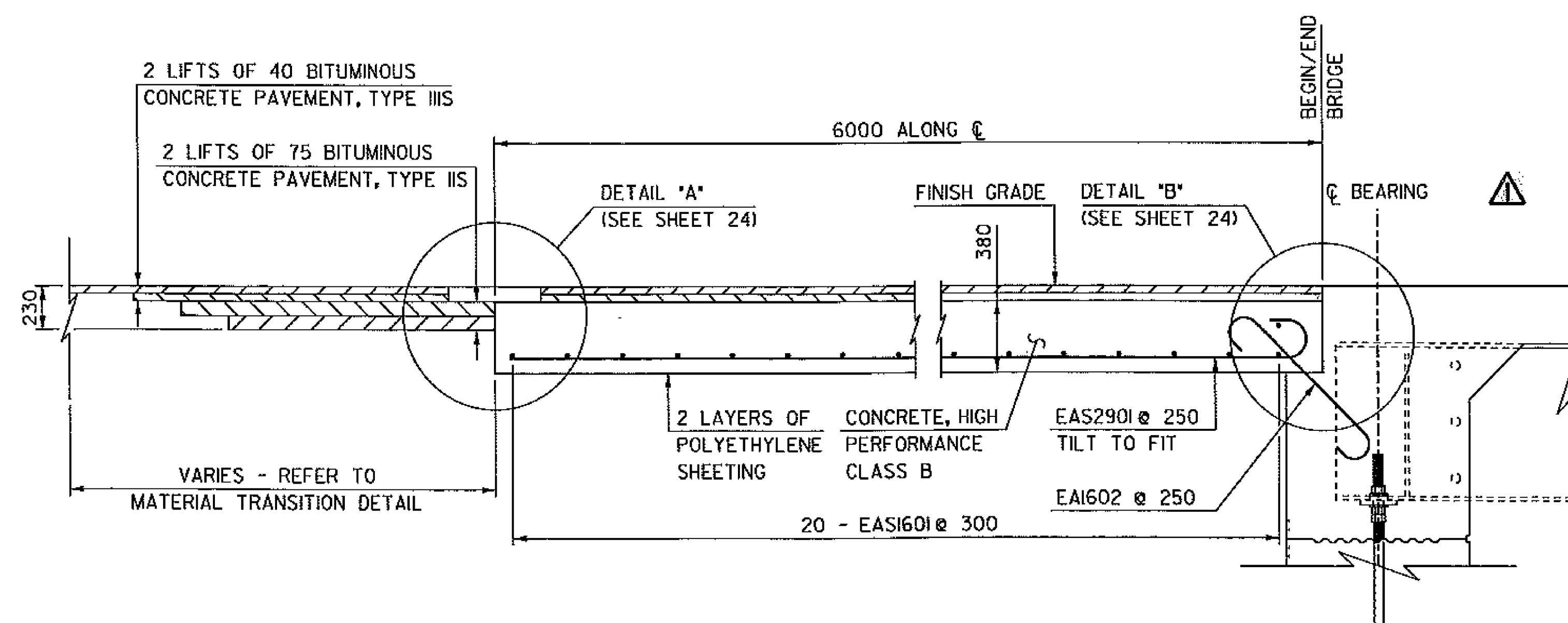
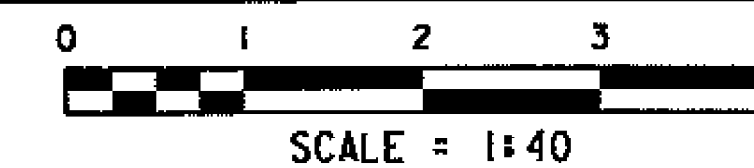


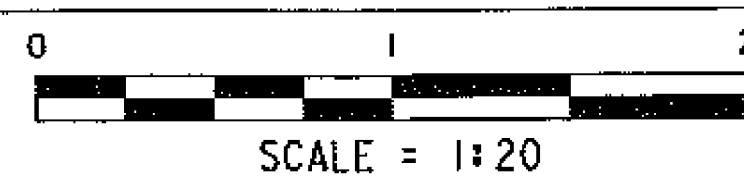
APPROACH SLAB NO. 1 PLAN



APPROACH SLAB NO. 2 PLAN



TYPICAL APPROACH SLAB DETAIL



| REVISION | DATE |
|----------|----------------------------------------|
| ▲ | REMOVED PAVEMENT FROM DECK 9-5-2011 |

T.O.C. ELEV. : TOP OF CONCRETE APPROACH SLAB

- NOTES:**
- NF = NEAR FACE
 - FF = FAR FACE
 - EF = EACH FACE
 - ▲ = CUT TO FIT IN FIELD
 - 80 CLR. UNLESS OTHERWISE SPECIFIED ON THE PLANS

| | |
|---------------------------------------|------------------------|
| PROJECT NAME: HINESBURG | PLOT DATE: 06-SEP-2011 |
| PROJECT NUMBER: STP 0199(2) | DRAWN BY: C. MOONEY |
| FILE NAME: 01J282/str/e01J282 str.dgn | CHECKED BY: C. CARLSON |
| PROJECT LEADER: C. CARLSON | SHEET 23 OF 56 |
| DESIGNED BY: W. LAMMER | |