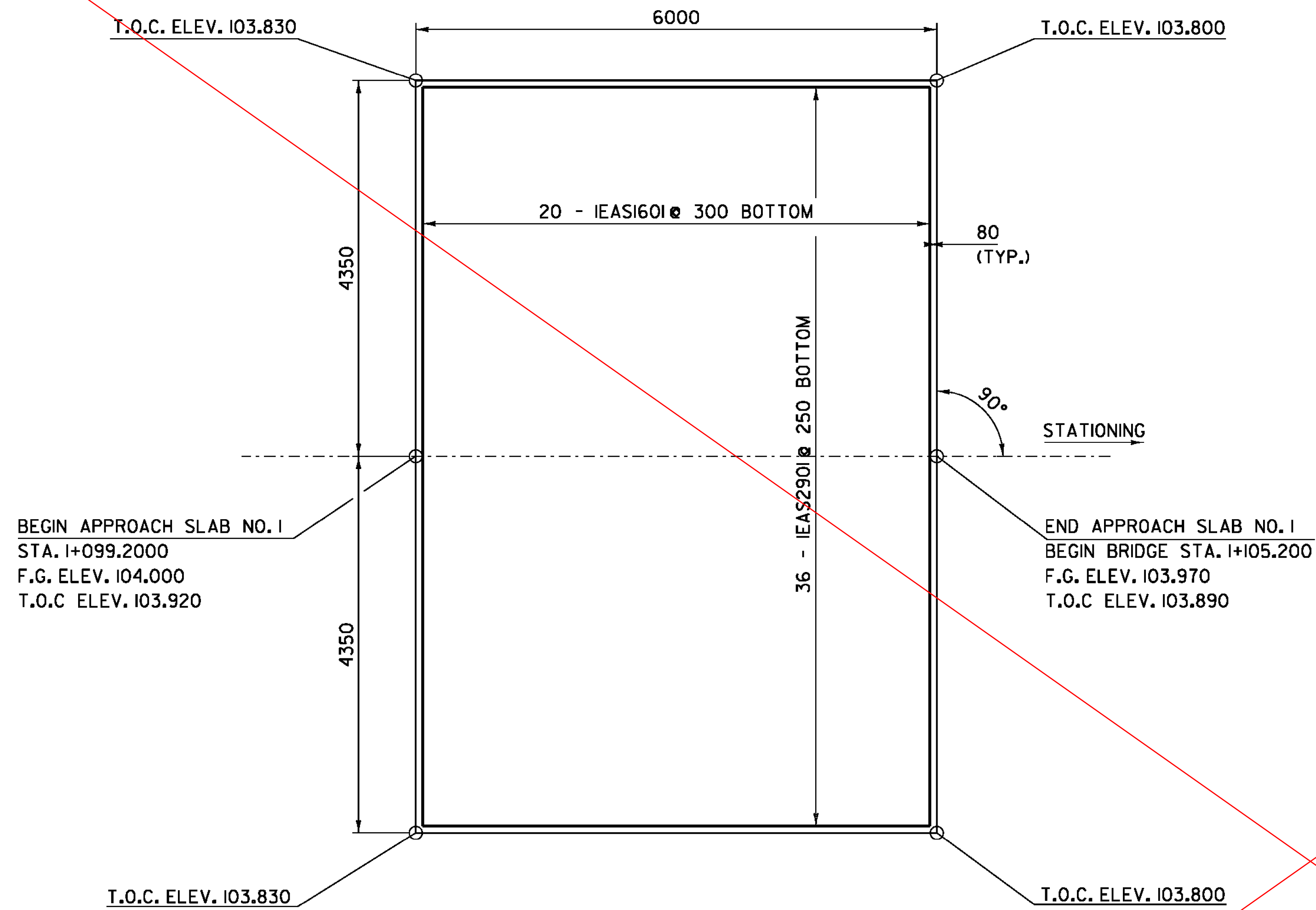
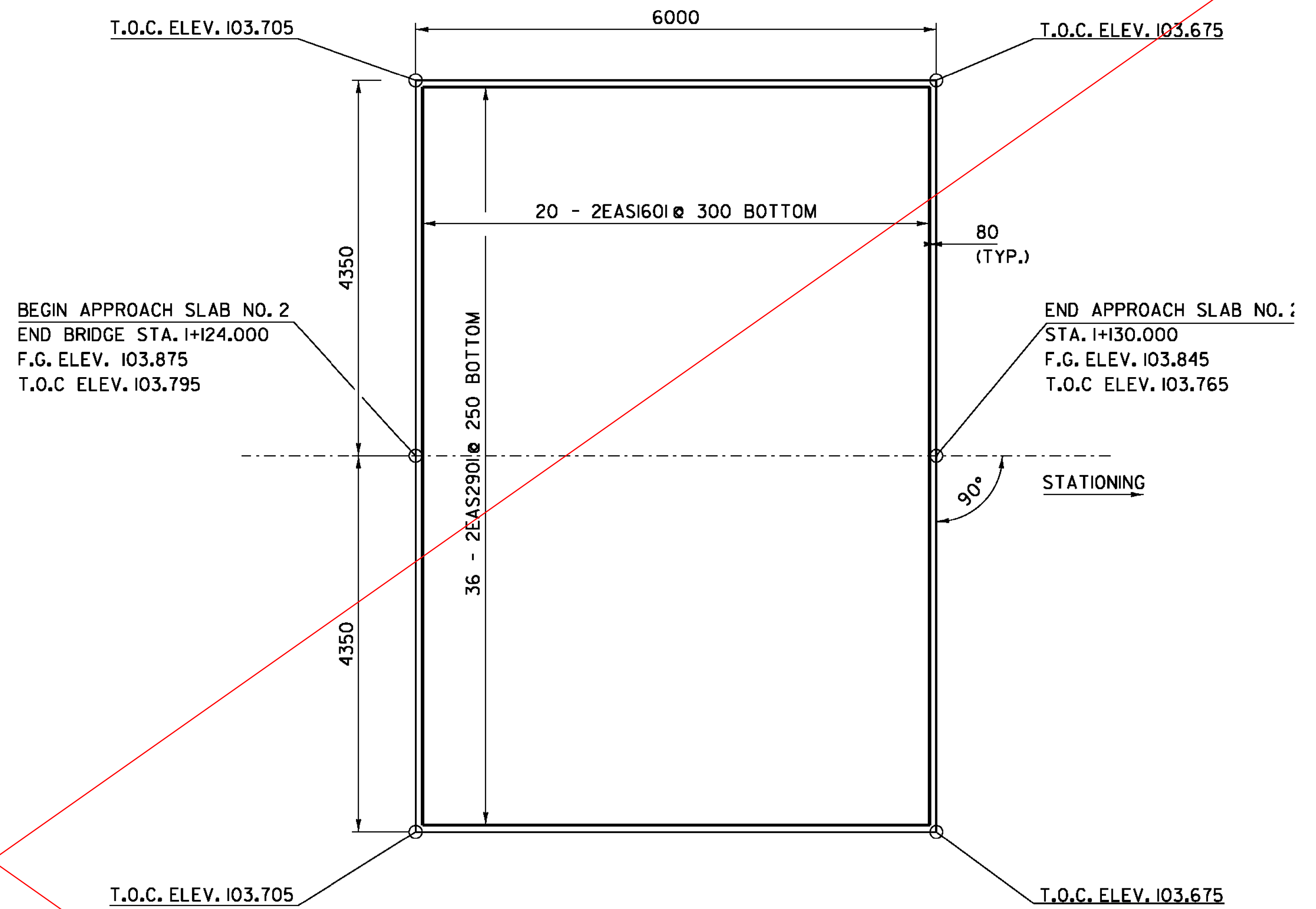
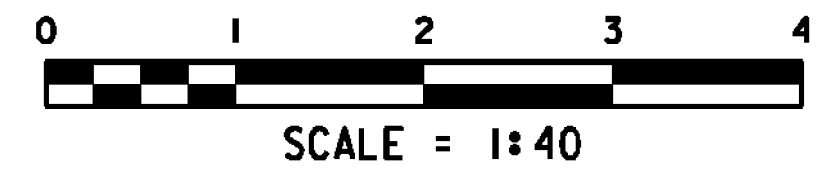


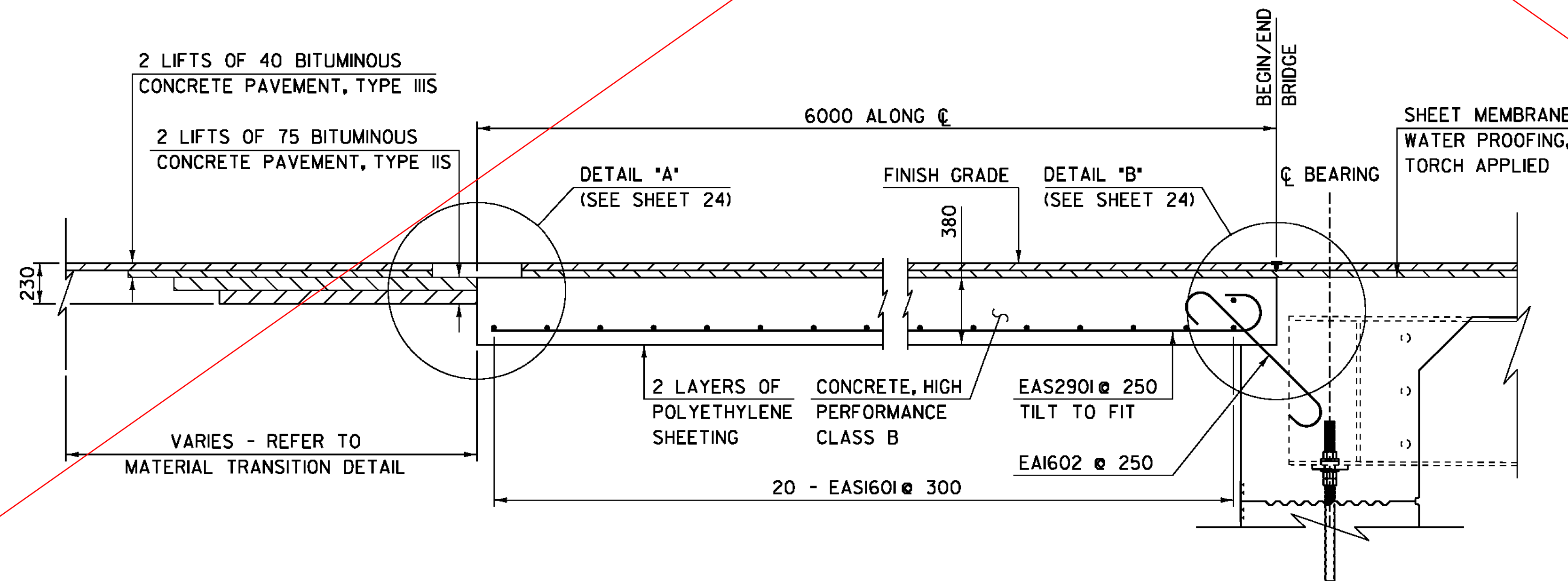
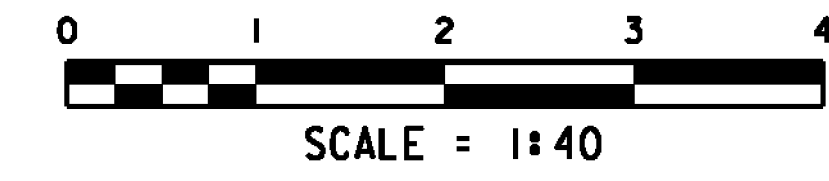
SEE REVISED DRAWING
 REDISIGNED WITHOUT PAVEMENT ON DECK



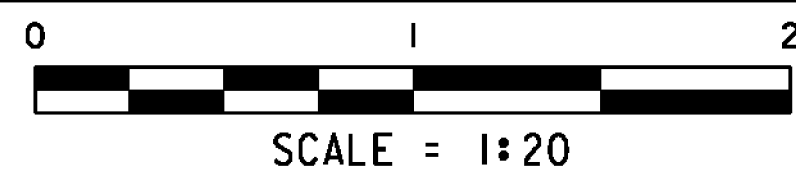
APPROACH SLAB NO. 1 PLAN



APPROACH SLAB NO. 2 PLAN



TYPICAL APPROACH SLAB DETAIL



T.O.C. ELEV. : TOP OF CONCRETE APPROACH SLAB

- NOTES:**
- NF = NEAR FACE
 - FF = FAR FACE
 - EF = EACH FACE
 - ▲ = CUT TO FIT IN FIELD
 - 80 CLR. UNLESS OTHERWISE SPECIFIED ON THE PLANS

PROJECT NAME: HINESBURG	PLOT DATE: 02-MAR-2011
PROJECT NUMBER: STP 0199(2)	DRAWN BY: C. MOONEY
FILE NAME: 01J282/str/s01J282 str.dgn	CHECKED BY: C. CARLSON
PROJECT LEADER: C. CARLSON	DESIGNED BY: W. LAMMER
APPROACH SLAB LAYOUT	SHEET 23 OF 56