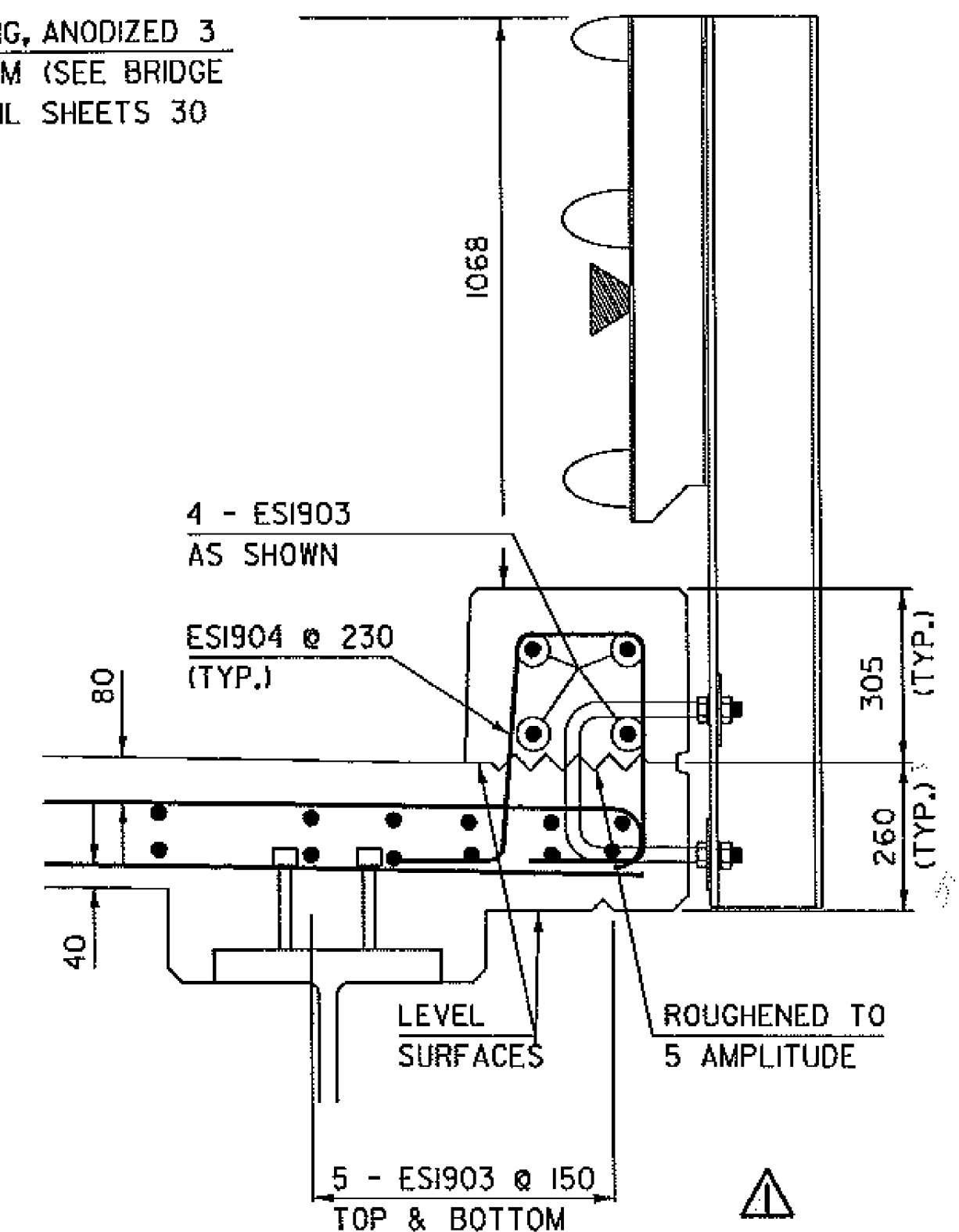
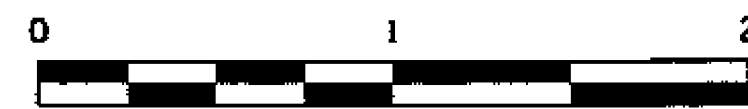


TYPICAL BRIDGE SECTION

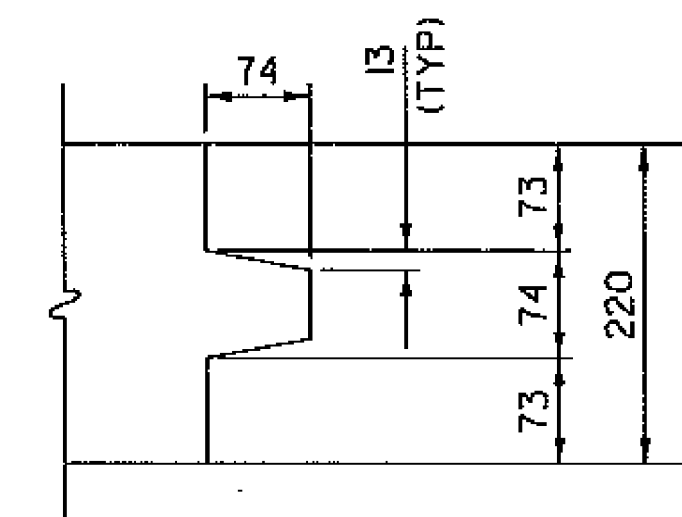


TYPICAL CURB AND EDGE OF DECK REINFORCING

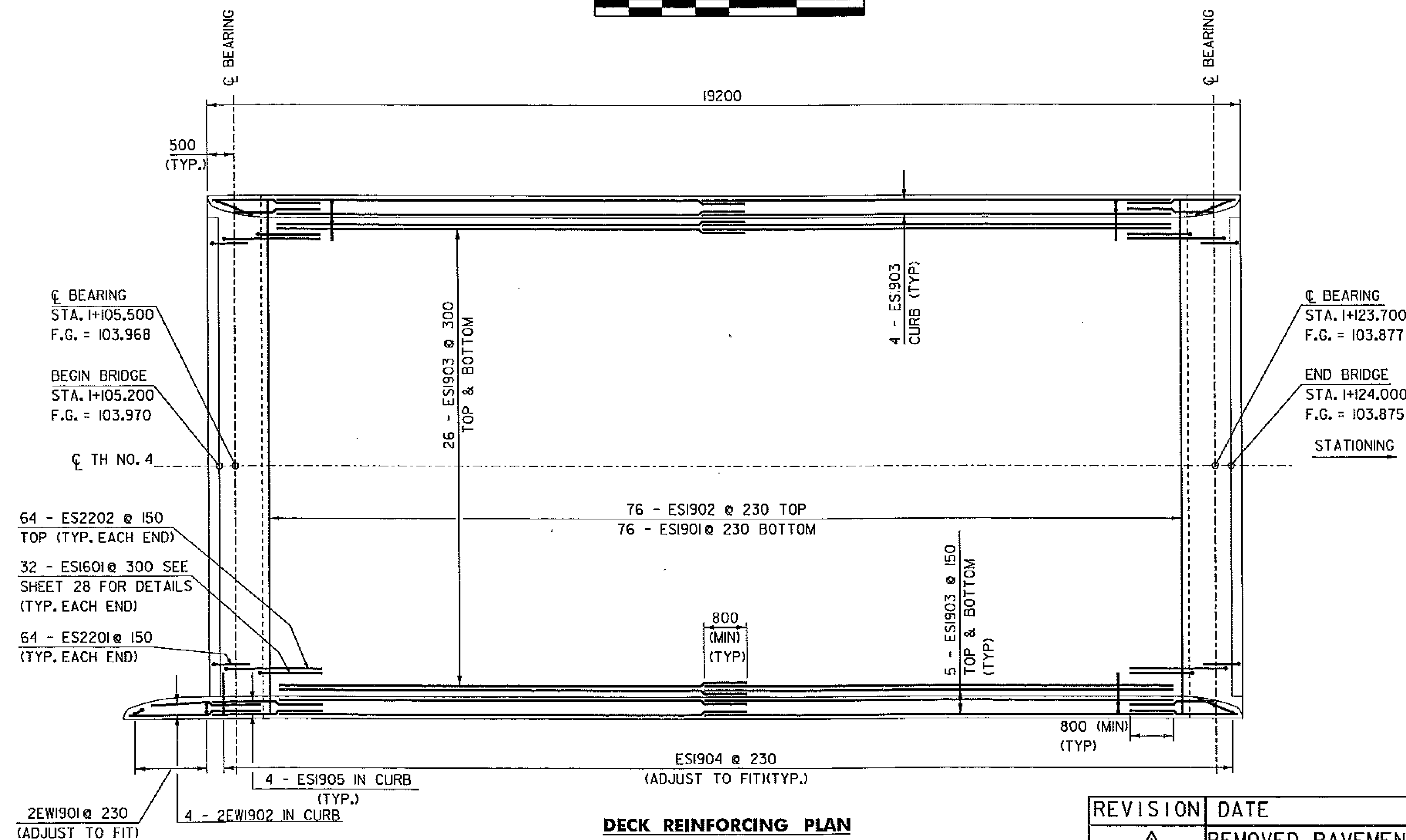
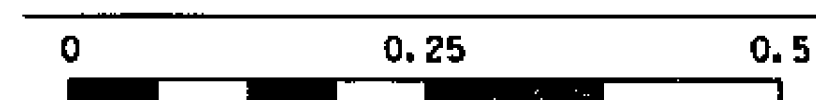
SCALE 1/10

NOTES:

- MINIMUM SPLICE DISTANCE ON ALL 19 BAR SHALL BE 800.
- ALL BACKWALL CONCRETE ABOVE THE HORIZONTAL CONSTRUCTION JOINT SHALL BE POURED MONOLITHICALLY WITH DECK POURS.



TRANSVERSE BRIDGE SLAB CONSTRUCTION JOINT



DECK REINFORCING PLAN



SCALE = 1:50

REVISION	DATE
△	REMOVED PAVEMENT FROM DECK 9-5-2011

NOTES:

- NF = NEAR FACE  
 FF = FAR FACE  
 EF = EACH FACE  
 △ = CUT TO FIT IN FIELD  
 80 CLR. UNLESS OTHERWISE SPECIFIED ON THE PLANS

PROJECT NAME: HINESBURG  
 PROJECT NUMBER: STP 0199(2)  
 FILE NAME: 01282/str/s01282 str.dgn  
 PROJECT LEADER: C. CARLSON  
 DESIGNED BY: W. LAMMER  
 DECK LAYOUT

PLOT DATE: 06-SEP-2011  
 DRAWN BY: C. MOONEY  
 CHECKED BY: C. CARLSON  
 SHEET 19 R OF 56