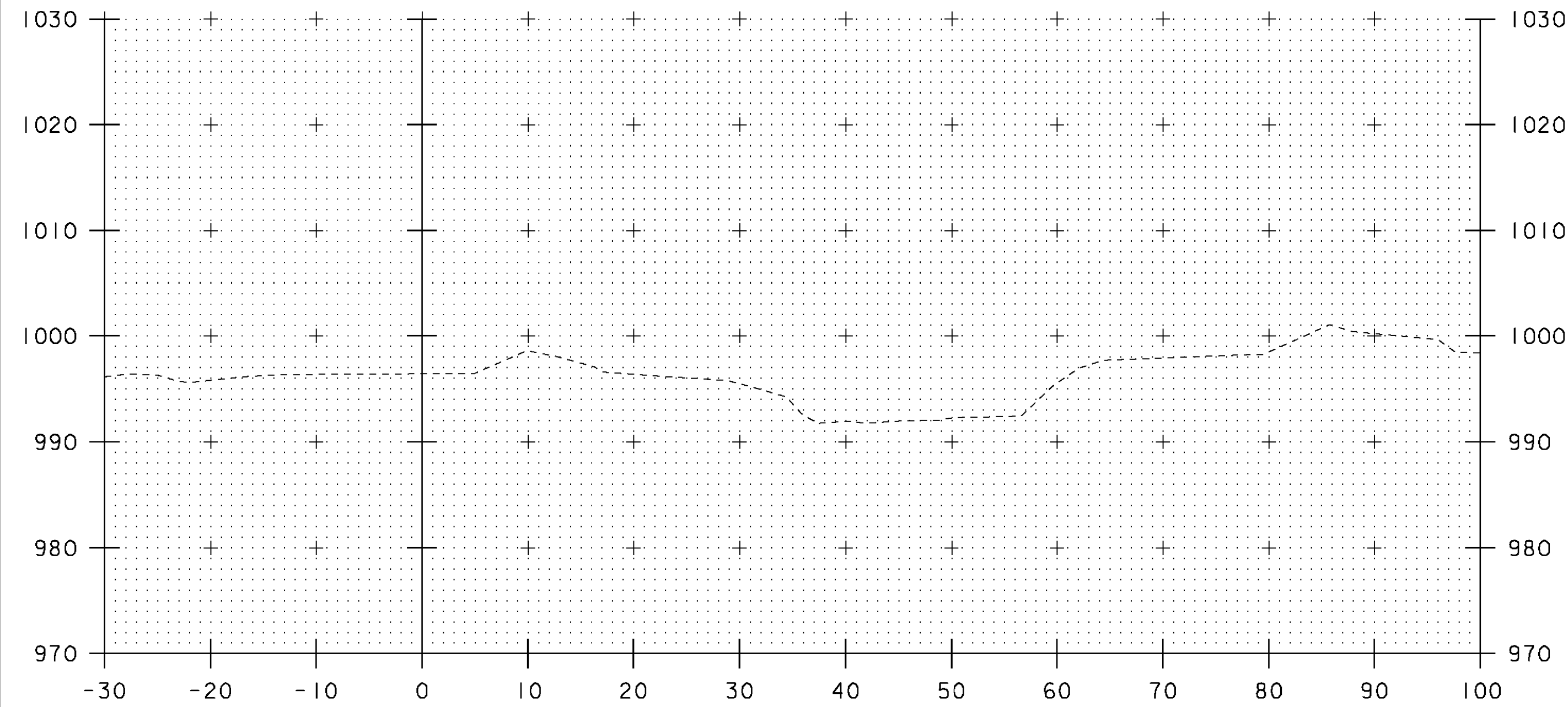
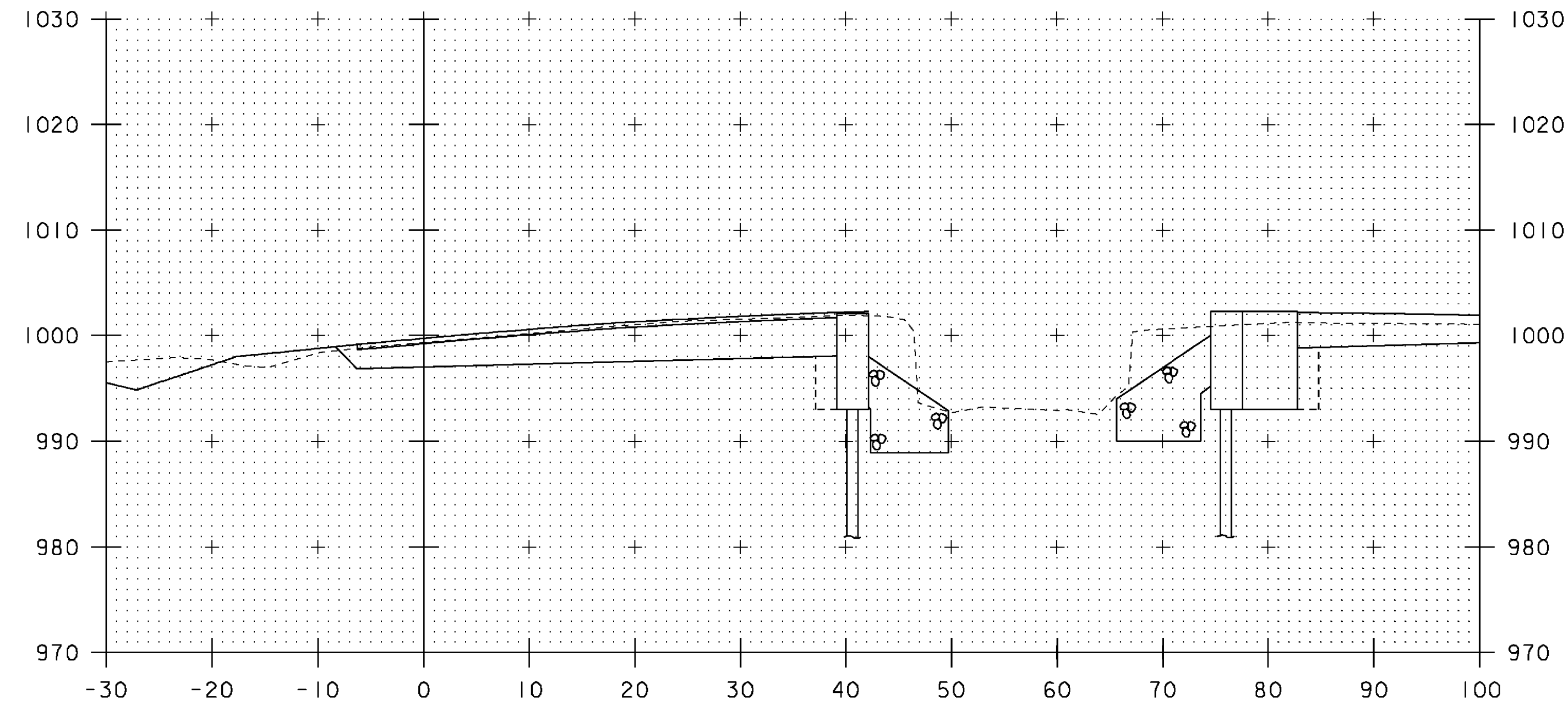


EXISTING GROUND NO LONGER VALID SINCE IRENE 8-28-11.
 NEW SURVEY REQUIRED FOR CHANNEL SECTIONS
 (TYP ALL SHEETS 31 & 32).

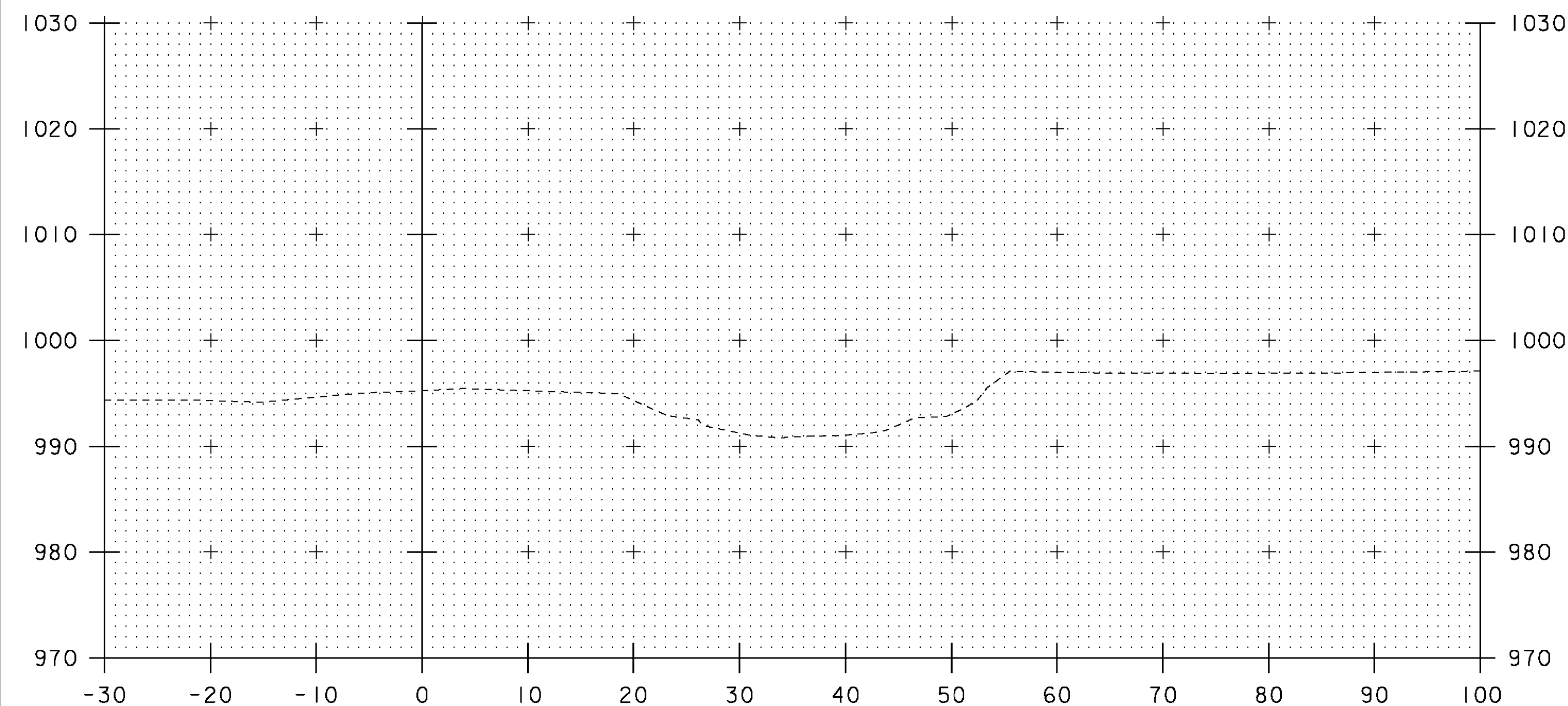


51+25

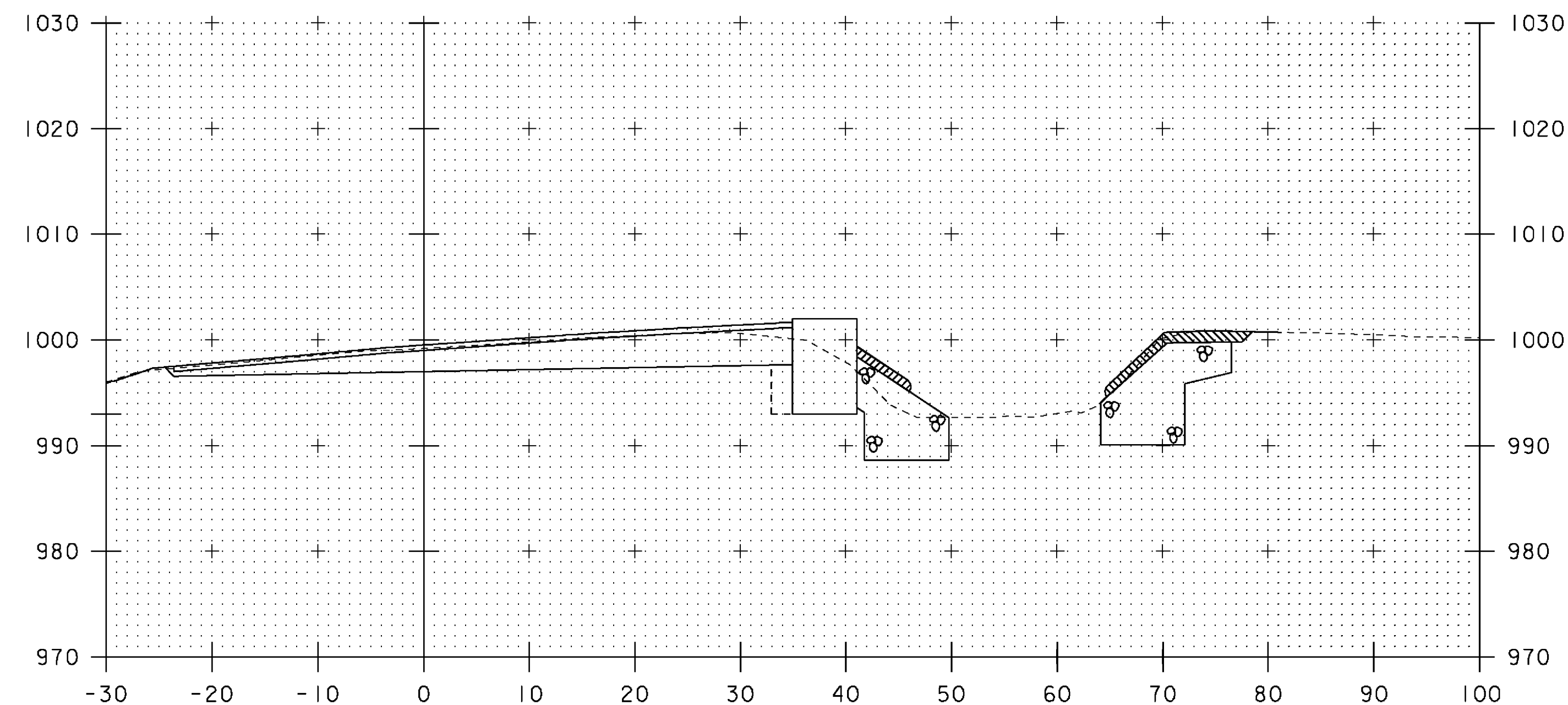


RT. (ABUT #2)
 END GRUBBING MATERIAL 51+62 RT.

51+60



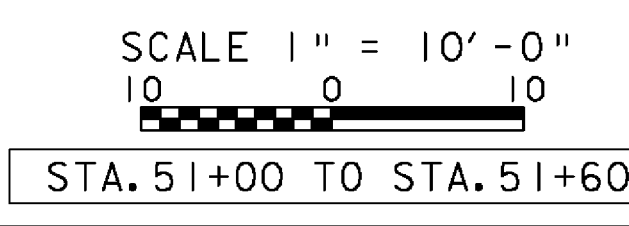
51+00



STA 51+41 RT. (ABUT #1)
 BEGIN UNCLASSIFIED CHANNEL EXCAVATION
 BEGIN STONE FILL, TYPE IV
 BEGIN GEOTEXTILE UNDER STONE FILL
 BEGIN GRUBBING MATERIAL
 END GRUBBING MATERIAL 51+56 RT.

STA 51+48 RT. (ABUT #2)
 BEGIN UNCLASSIFIED CHANNEL EXCAVATION
 BEGIN STONE FILL, TYPE IV
 BEGIN GEOTEXTILE UNDER STONE FILL
 BEGIN GRUBBING MATERIAL

51+50



STA. 51+00 TO STA. 51+60

PROJECT NAME:	MENDON	PLOT DATE:	07-SEP-2010
PROJECT NUMBER:	BRO 1443 (43)	DRAWN BY:	G. LAROCHE
FILE NAME:	s01j272xs.dgn	CHECKED BY:	J. SALVATORI
PROJECT LEADER:	K. HIGGINS	SHEET	31 OF 32
DESIGNED BY:	G. LAROCHE		
CHANNEL SECTIONS #1			