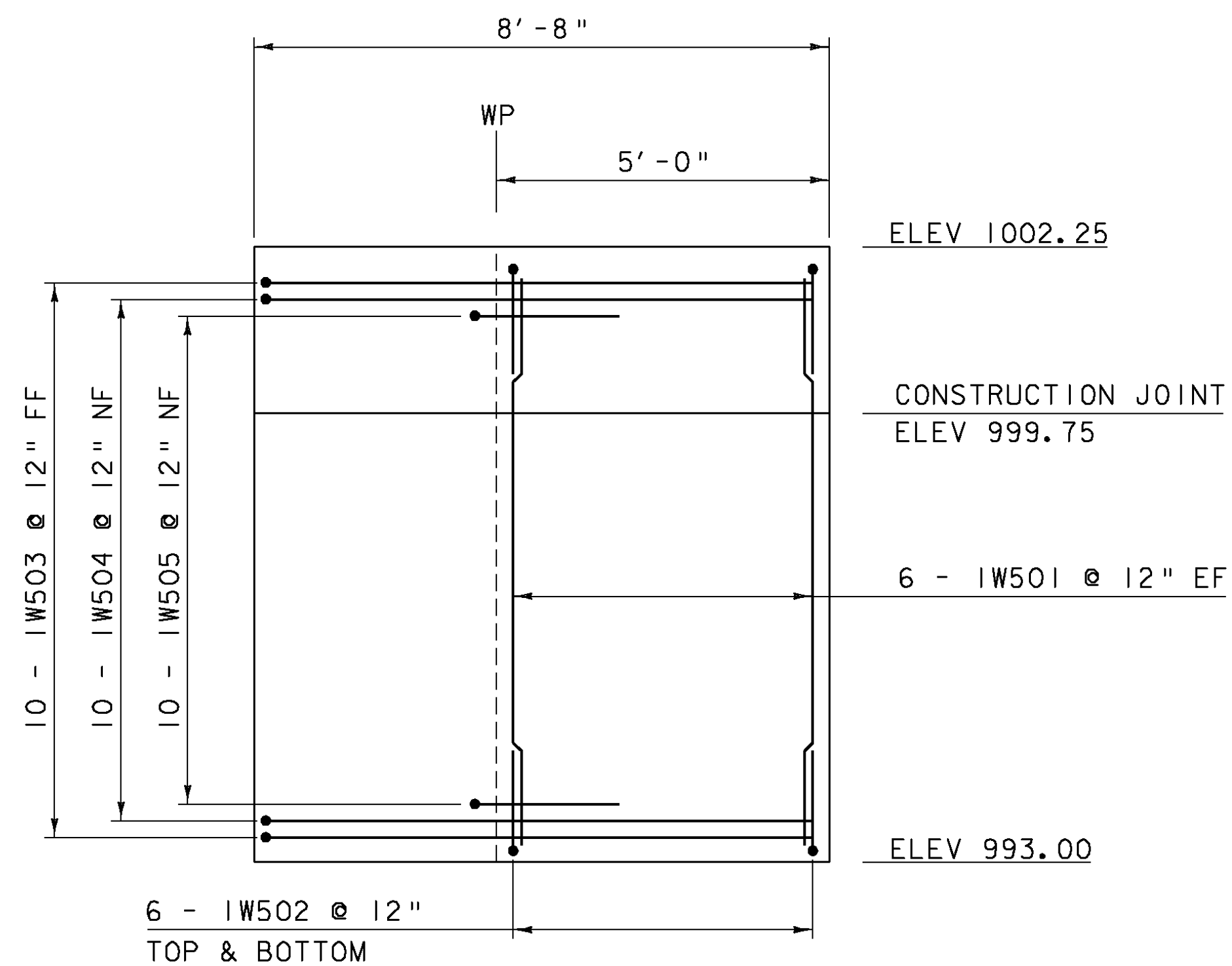
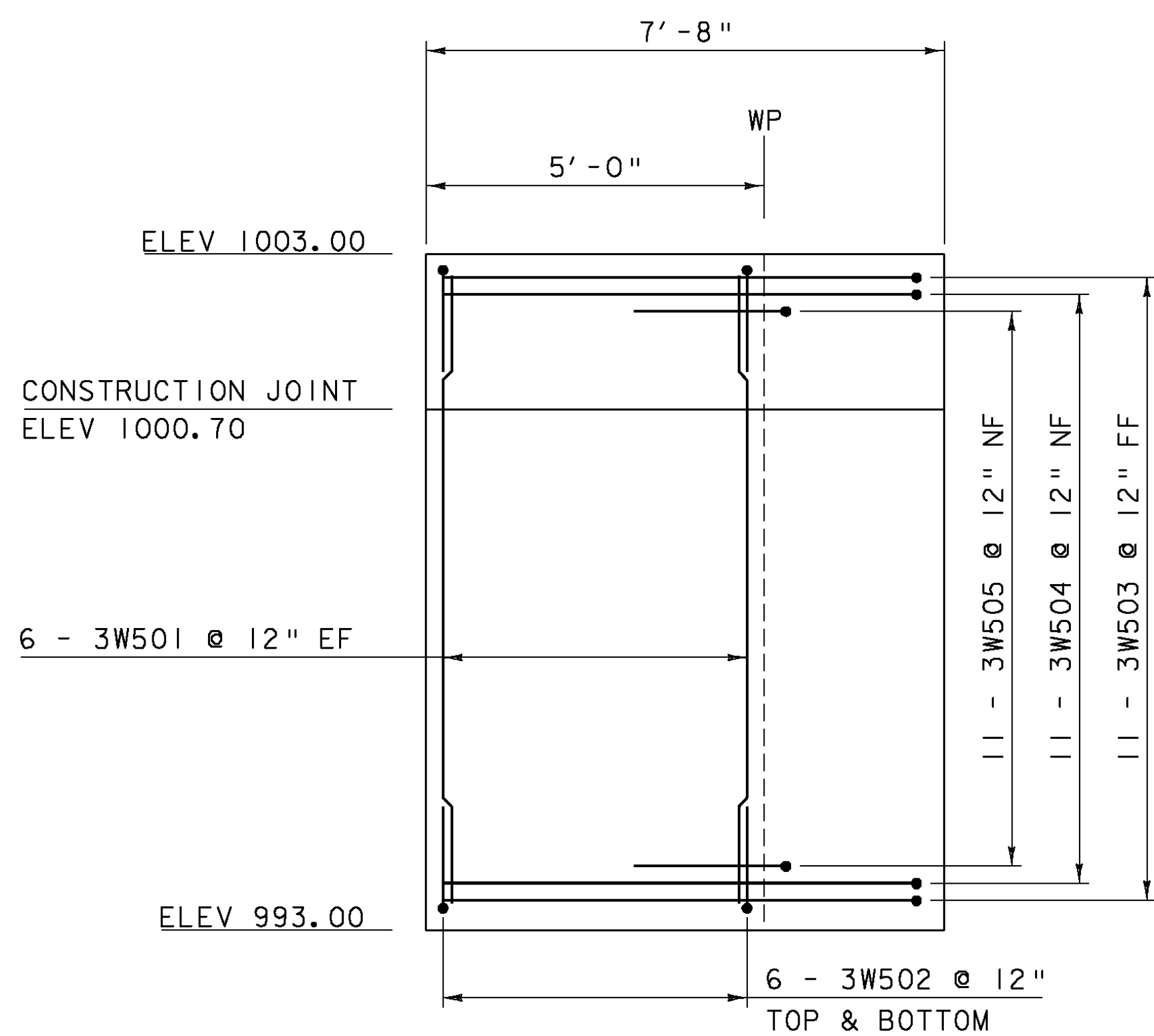


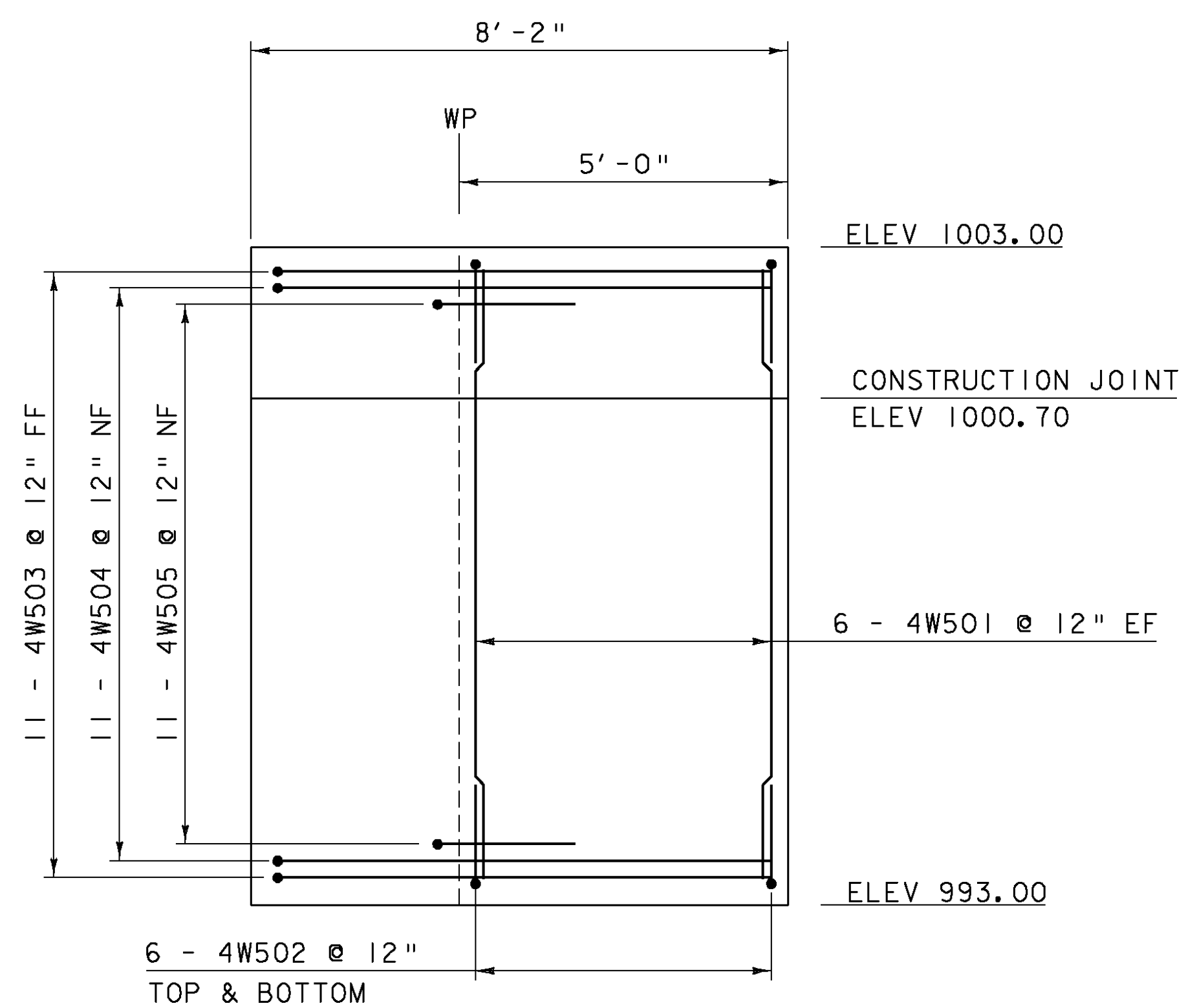
**WINGWALL #2**  
SCALE 1/2" = 1'-0"  
0 2



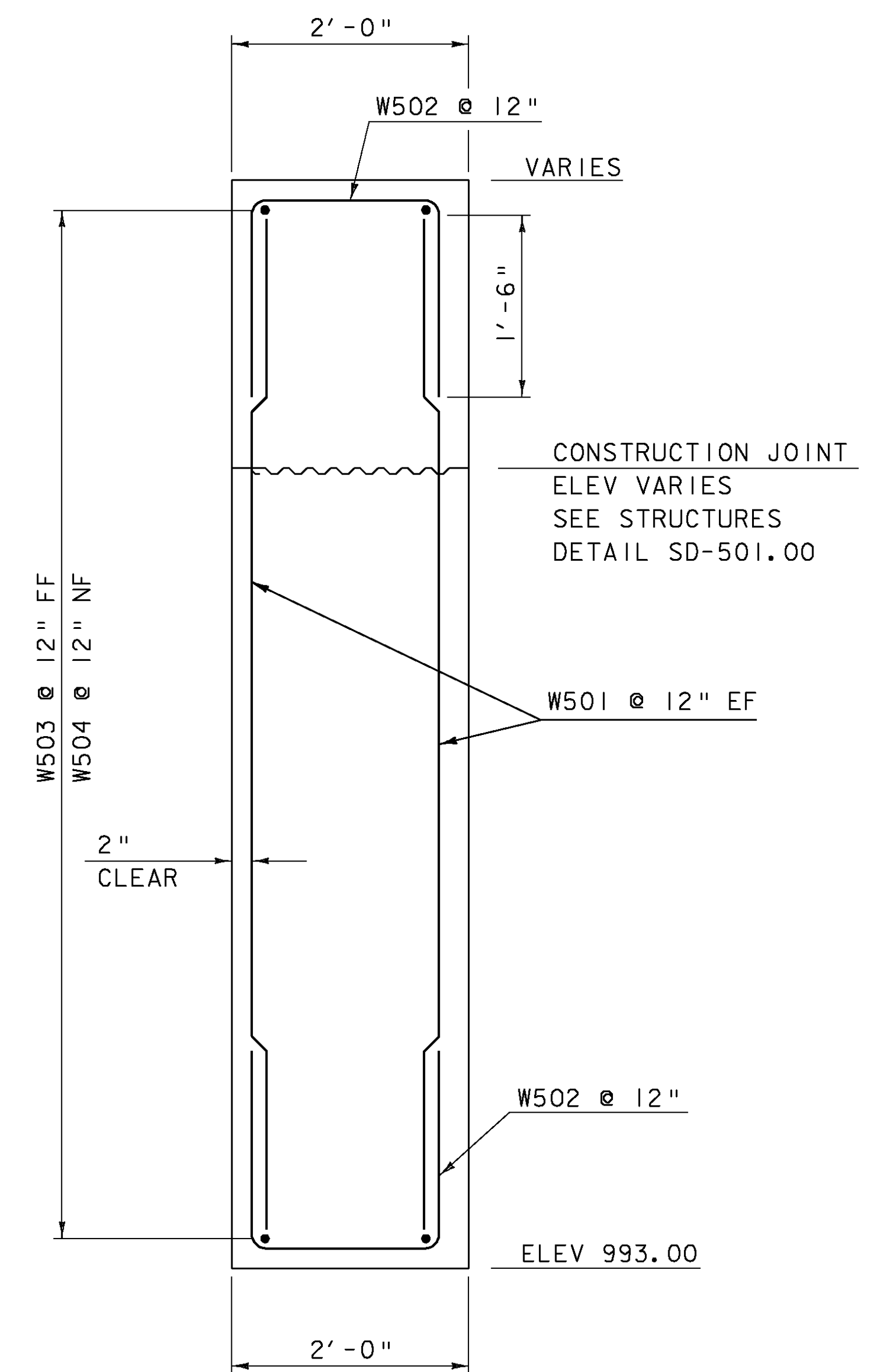
**WINGWALL #1**  
SCALE 1/2" = 1'-0"  
0 2



**WINGWALL #3**  
SCALE 1/2" = 1'-0"  
0 2



**WINGWALL #4**  
SCALE 1/2" = 1'-0"  
0 2



**WINGWALL TYPICAL SECTION**  
SCALE 1" = 1'-0"  
1 9 6 3 0 2

**NOTE:**  
NF = NEAR FACE  
FF = FAR FACE  
EF = EACH FACE  
▲ = CUT TO FIT IN FIELD  
3" CLEAR, UNLESS OTHERWISE SPECIFIED ON THE PLANS.  
2'-2" BAR LAP UNLESS OTHERWISE SPECIFIED ON THE PLANS.

PROJECT NAME: MENDON  
PROJECT NUMBER: BRO 1443(43)

FILE NAME: s01j272substructure.dgn PLOT DATE: 07-SEP-2010  
PROJECT LEADER: K. HIGGINS DRAWN BY: J. GRIFFIN  
DESIGNED BY: G. LAROCHE CHECKED BY: G. LAROCHE  
WINGWALLS SHEET 18 OF 32