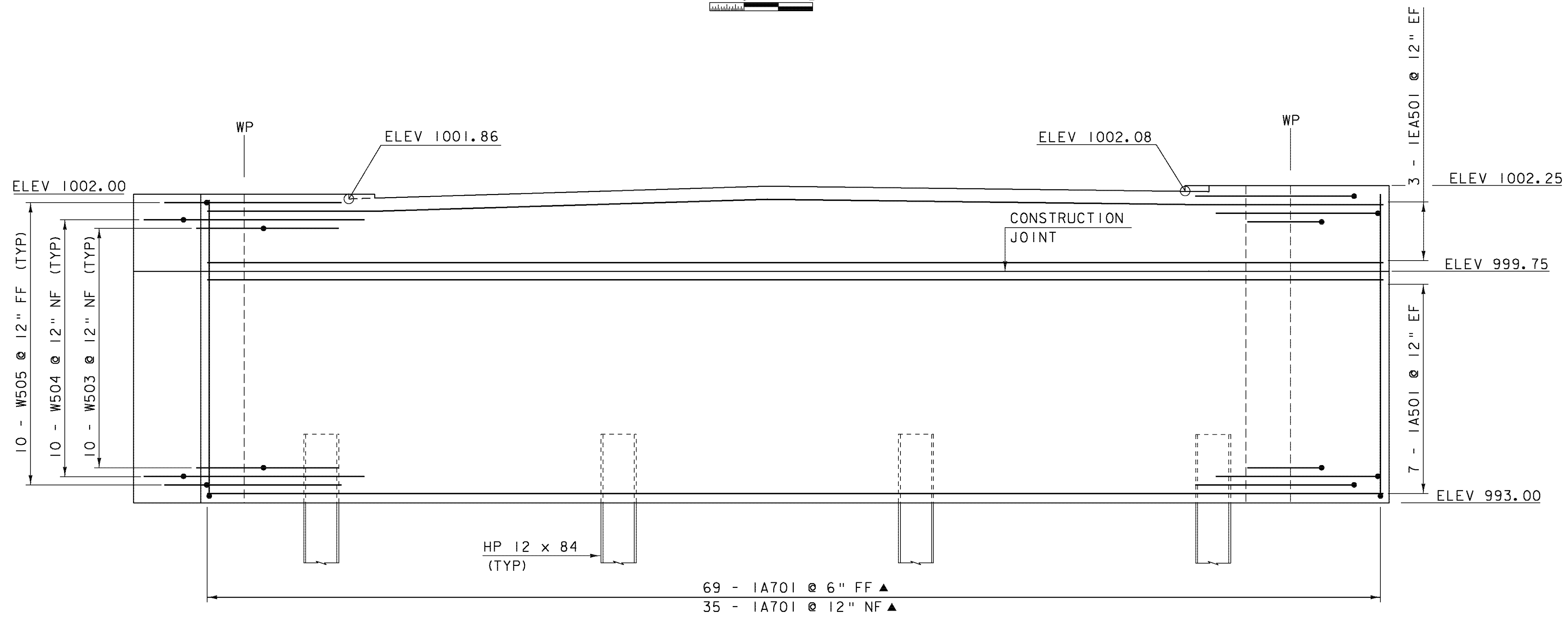
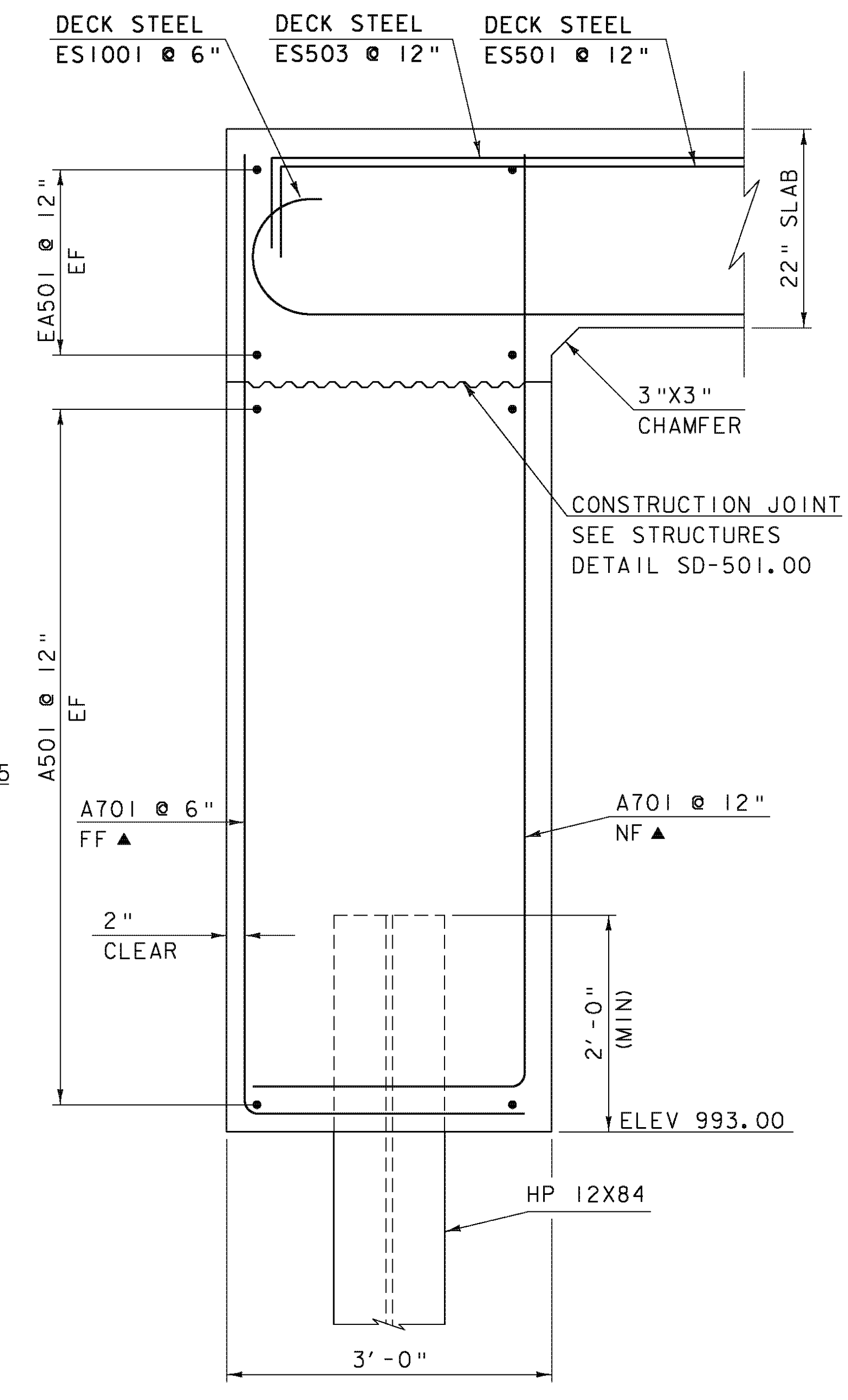


**ABUTMENT #1 PLAN**  
SCALE 1/2" = 1'-0"



**ABUTMENT #1 ELEVATION**  
SCALE 1/2" = 1'-0"



**ABUTMENT TYPICAL SECTION**  
SCALE 1" = 1'-0"

**NOTE:**  
NF = NEAR FACE  
FF = FAR FACE  
EF = EACH FACE  
▲ = CUT TO FIT IN FIELD  
3" CLEAR, UNLESS OTHERWISE SPECIFIED ON THE PLANS.  
2'-2" BAR LAP UNLESS OTHERWISE SPECIFIED ON THE PLANS.

PROJECT NAME:	MENDON	PLOT DATE:	16-SEP-2010
PROJECT NUMBER:	BRO 1443(43)	DRAWN BY:	J. GRIFFIN
FILE NAME:	s01j272substructure.dgn	CHECKED BY:	G. LAROCHE
PROJECT LEADER:	K. HIGGINS	SHEET	16 OF 32
DESIGNED BY:	G. LAROCHE		
ABUTMENT #1			