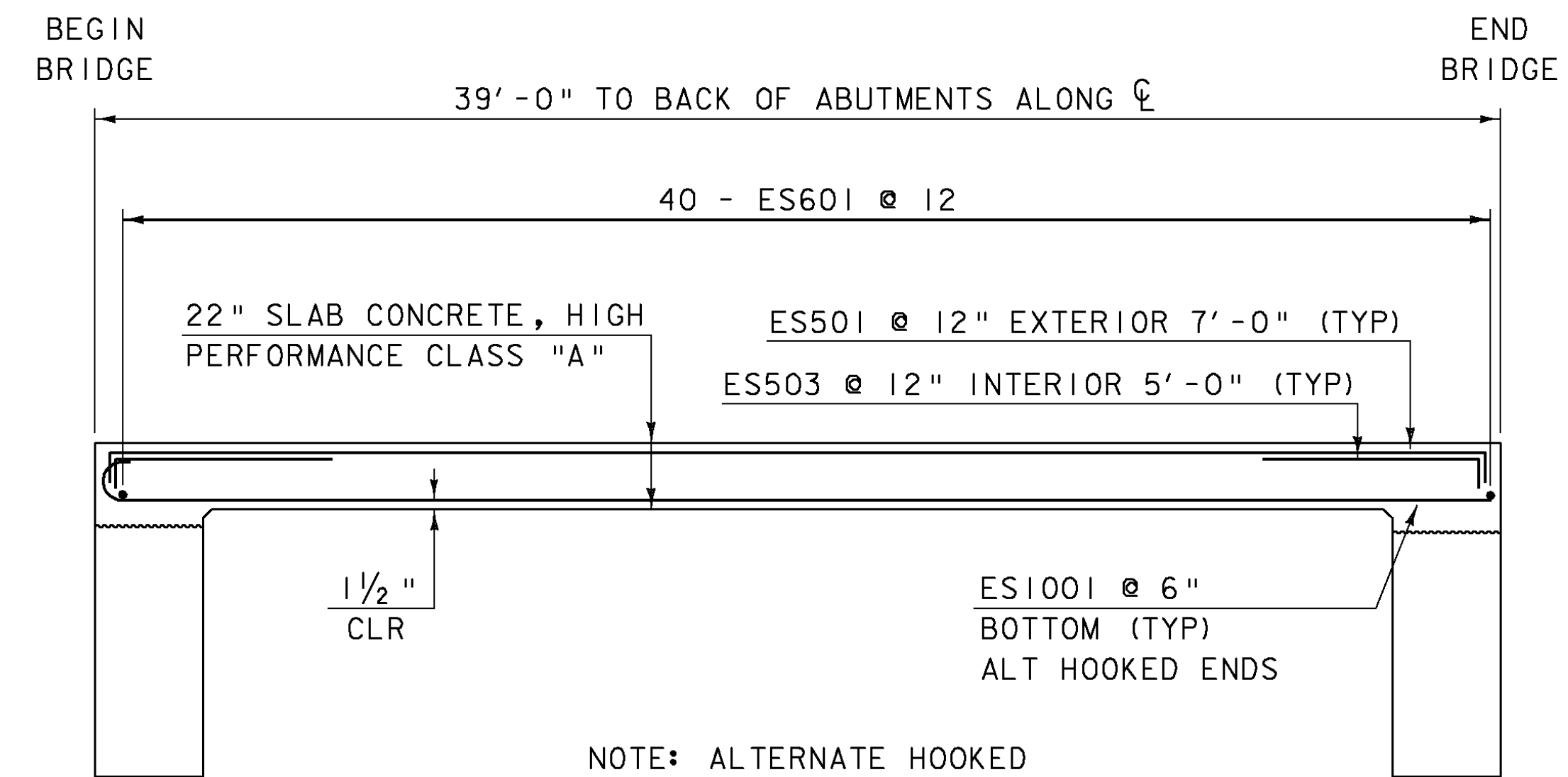


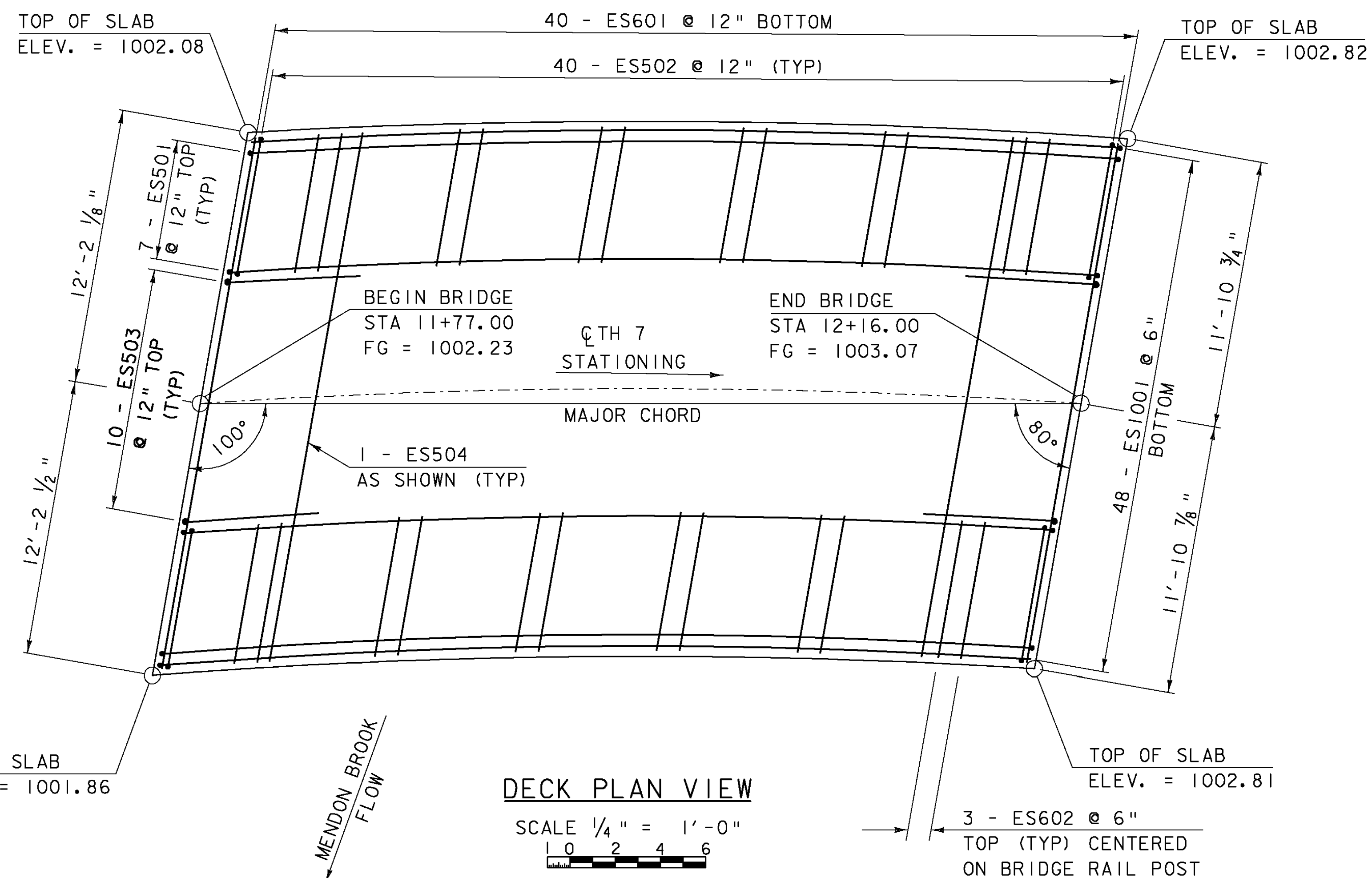
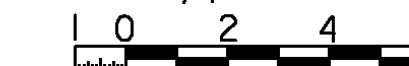
TYPICAL DECK SECTION

SCALE 1/2" = 1'-0"



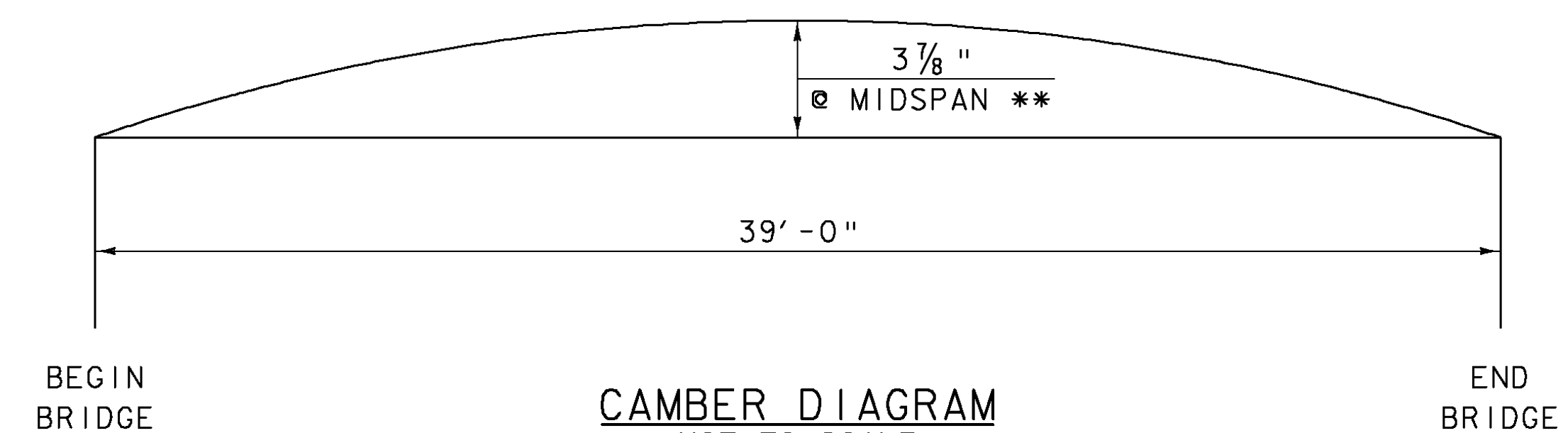
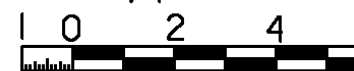
DECK ELEVATION VIEW

SCALE 1/4" = 1'-0"



DECK PLAN VIEW

SCALE 1/4" = 1'-0"



CAMBER DIAGRAM  
NOT TO SCALE

\*\* SET CONSTRUCTION FORMS TO THIS CAMBER  
CAMBER SHALL APPROXIMATE A CIRCULAR CURVE

NOTE:

- NF = NEAR FACE
- FF = FAR FACE
- EF = EACH FACE
- ▲ = CUT TO FIT IN FIELD
- 3" CLEAR, UNLESS OTHERWISE SPECIFIED ON THE PLANS.
- 2'-2" BAR LAP UNLESS OTHERWISE SPECIFIED ON THE PLANS.

PROJECT NAME: MENDON  
PROJECT NUMBER: BRO 1443 (43)

FILE NAME: s01j272sup.dgn  
PROJECT LEADER: K. HIGGINS  
DESIGNED BY: G. LAROCHE  
DECK PLAN

PLOT DATE: 07-SEP-2010  
DRAWN BY: R. PELLETT  
CHECKED BY: J. SALVATORI  
SHEET 15 OF 32