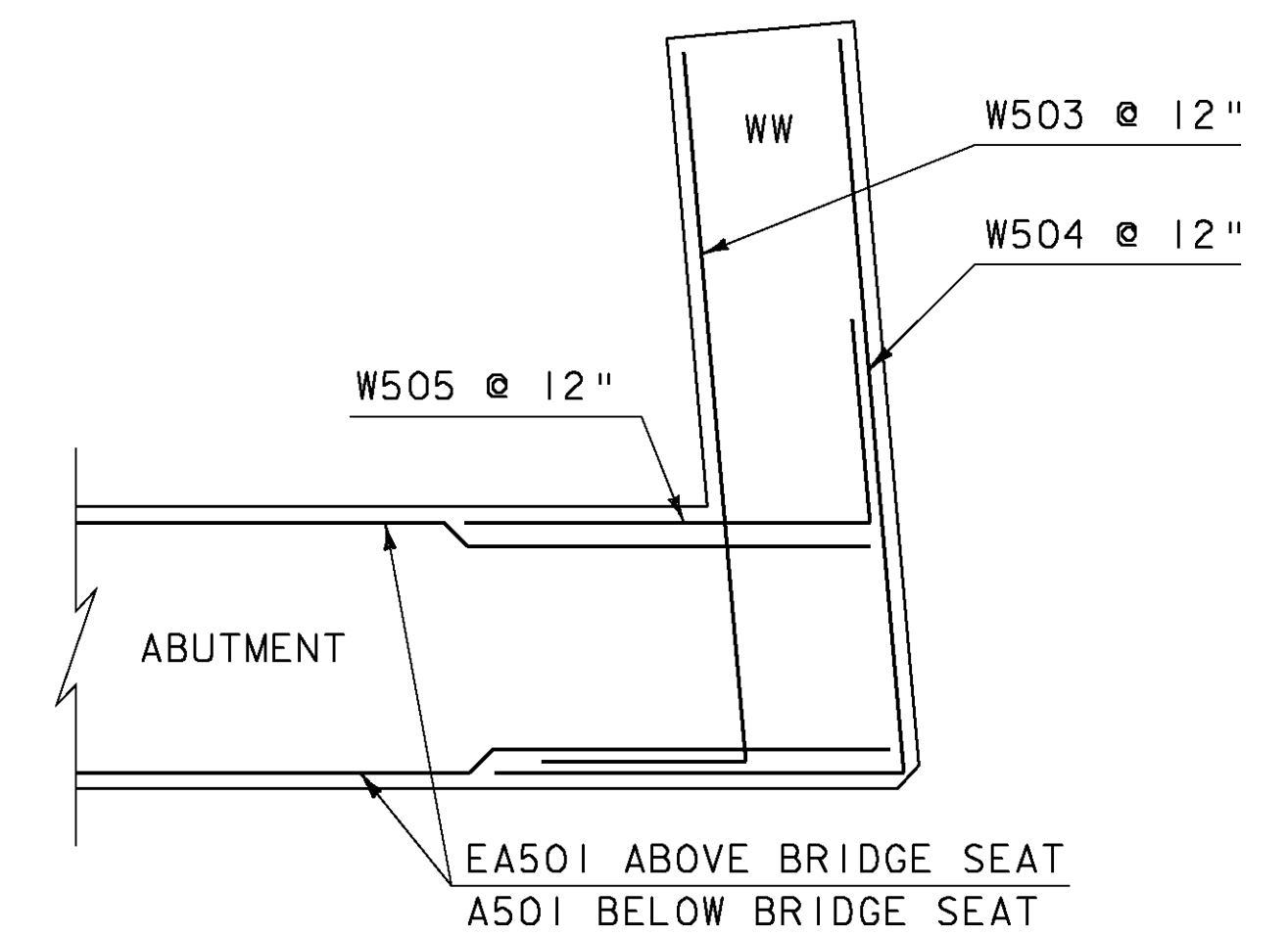
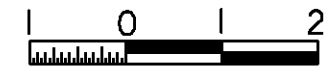


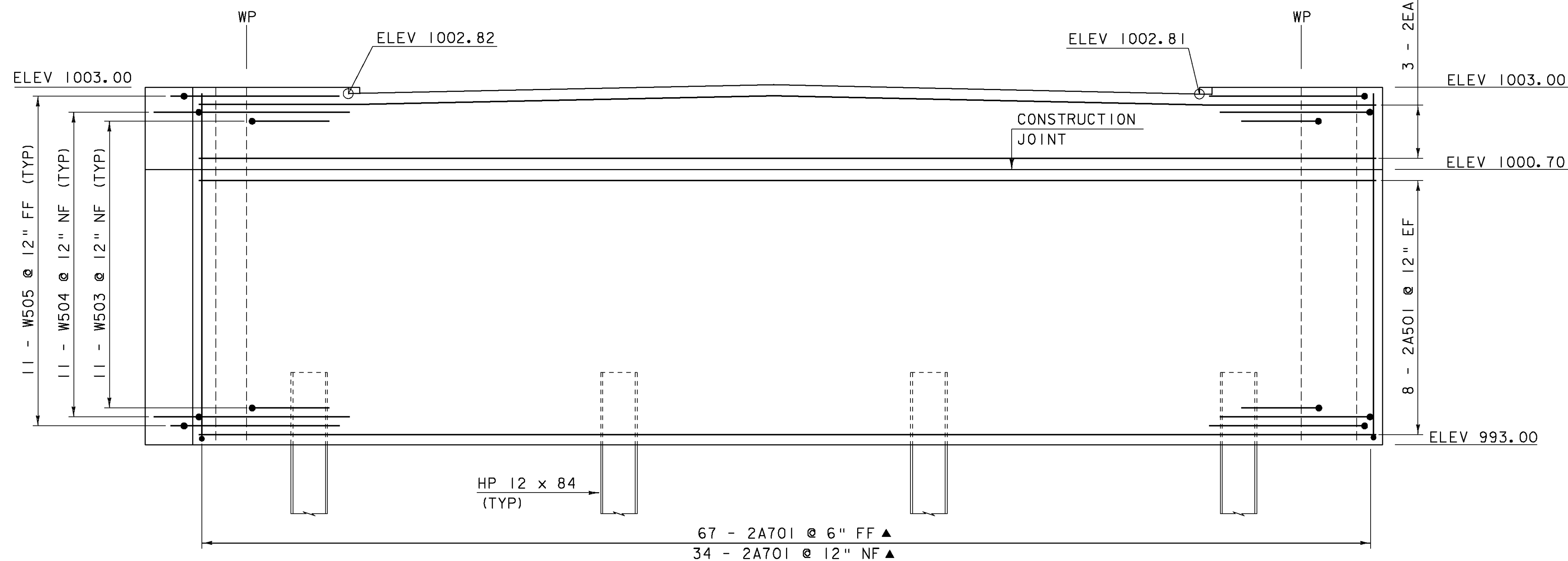
ABUTMENT #2 PLAN

SCALE 1/2" = 1'-0"



CORNER DETAIL

NOT TO SCALE



ABUTMENT #2 ELEVATION

SCALE 1/2" = 1'-0"



NOTE:

- NF = NEAR FACE
- FF = FAR FACE
- EF = EACH FACE
- ▲ = CUT TO FIT IN FIELD
- 3" CLEAR, UNLESS OTHERWISE SPECIFIED ON THE PLANS.
- 2'-2" BAR LAP UNLESS OTHERWISE SPECIFIED ON THE PLANS.

PROJECT NAME: MENDON
PROJECT NUMBER: BRO 1443(43)

FILE NAME: s01j272substructure.dgn PLOT DATE: 07-SEP-2010
PROJECT LEADER: K. HIGGINS DRAWN BY: J. GRIFFIN
DESIGNED BY: G. LAROCHE CHECKED BY: G. LAROCHE
ABUTMENT #2 SHEET 17 OF 32