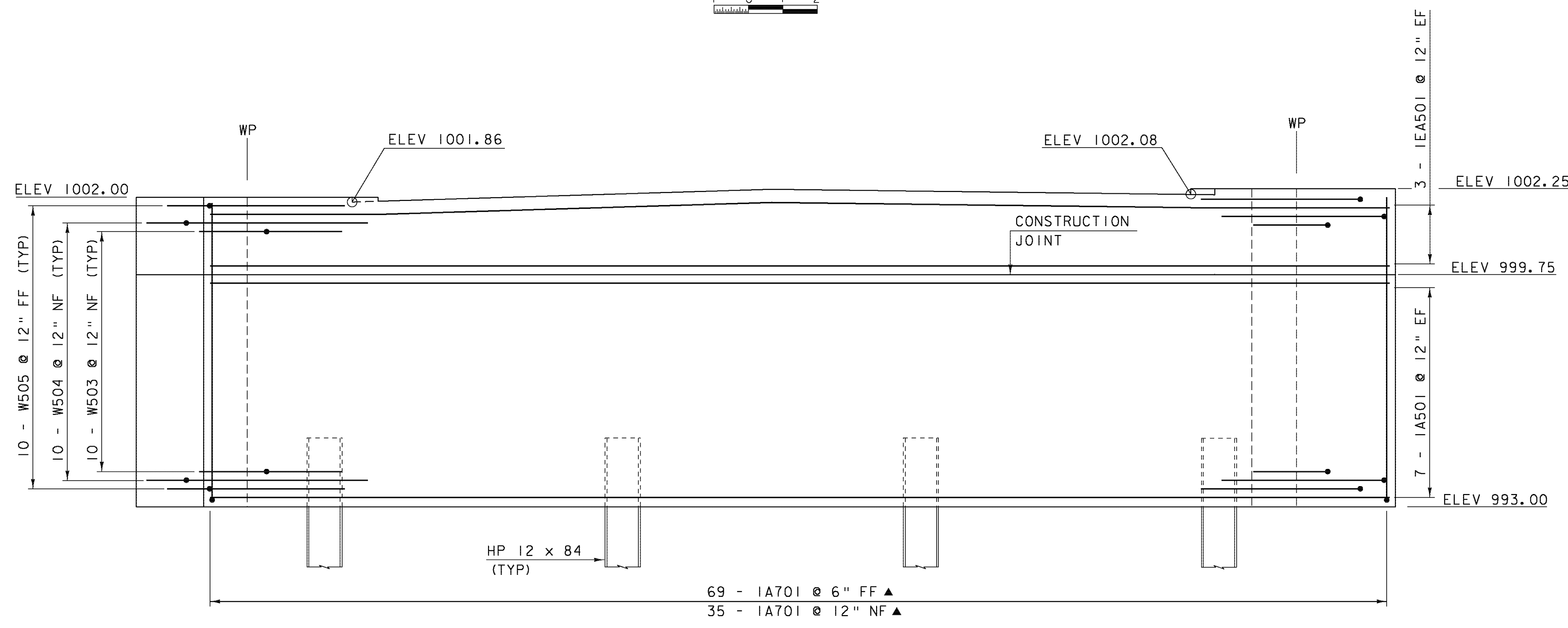
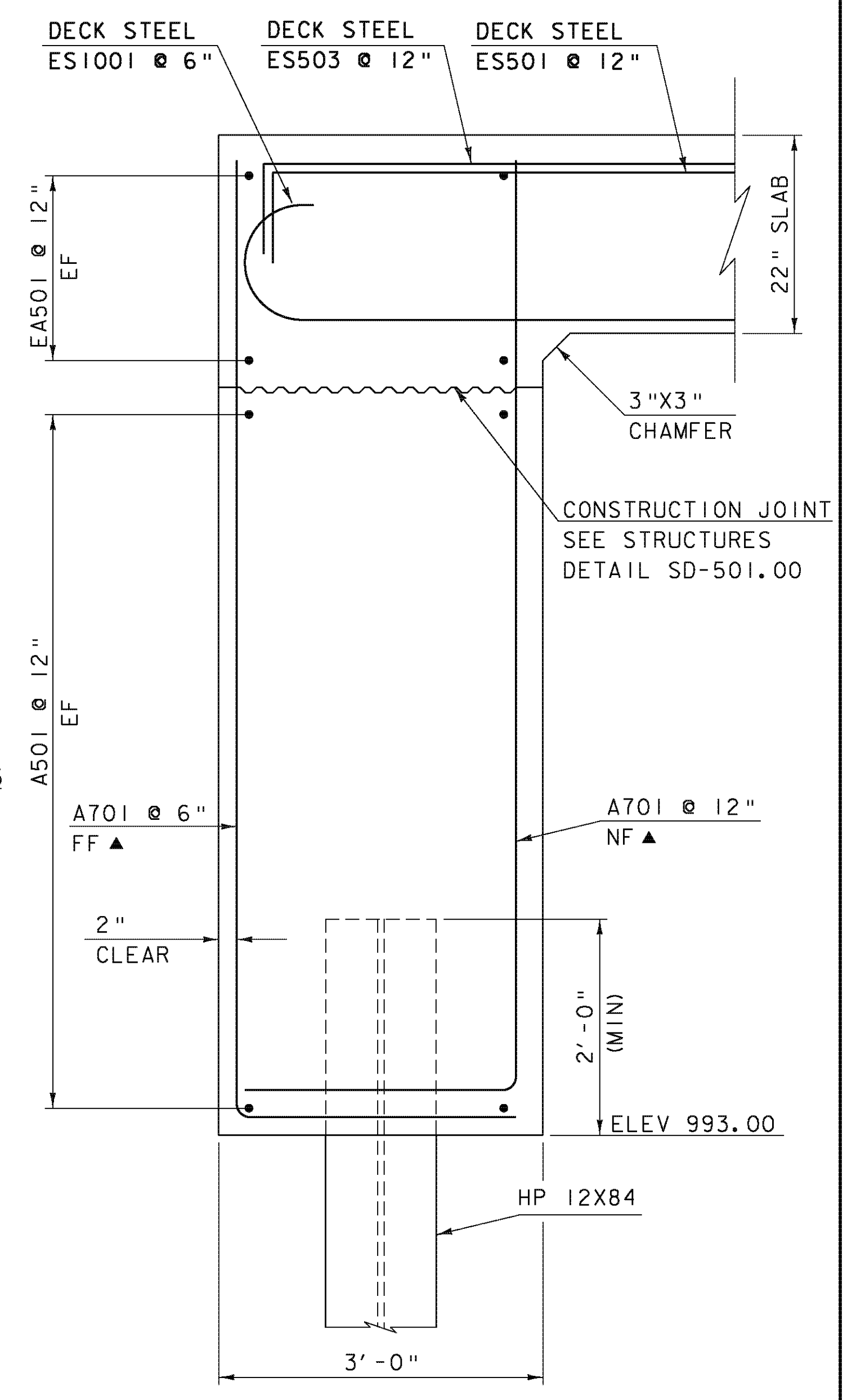


ABUTMENT #1 PLAN
SCALE 1/2" = 1'-0"
0 1 2



ABUTMENT #1 ELEVATION
SCALE 1/2" = 1'-0"
0 1 2

NOTE:
NF = NEAR FACE
FF = FAR FACE
EF = EACH FACE
▲ = CUT TO FIT IN FIELD
3" CLEAR, UNLESS OTHERWISE SPECIFIED ON THE PLANS.
2'-2" BAR LAP UNLESS OTHERWISE SPECIFIED ON THE PLANS.



ABUTMENT TYPICAL SECTION

SCALE 1" = 1'-0"
0 1 2

PROJECT NAME: MENDON	PLOT DATE: 16-SEP-2010
PROJECT NUMBER: BRO 1443(43)	DRAWN BY: J. GRIFFIN
FILE NAME: s01j272substructure.dgn	CHECKED BY: G. LAROCHE
PROJECT LEADER: K. HIGGINS	SHEET 16 OF 32
DESIGNED BY: G. LAROCHE	
ABUTMENT #1	