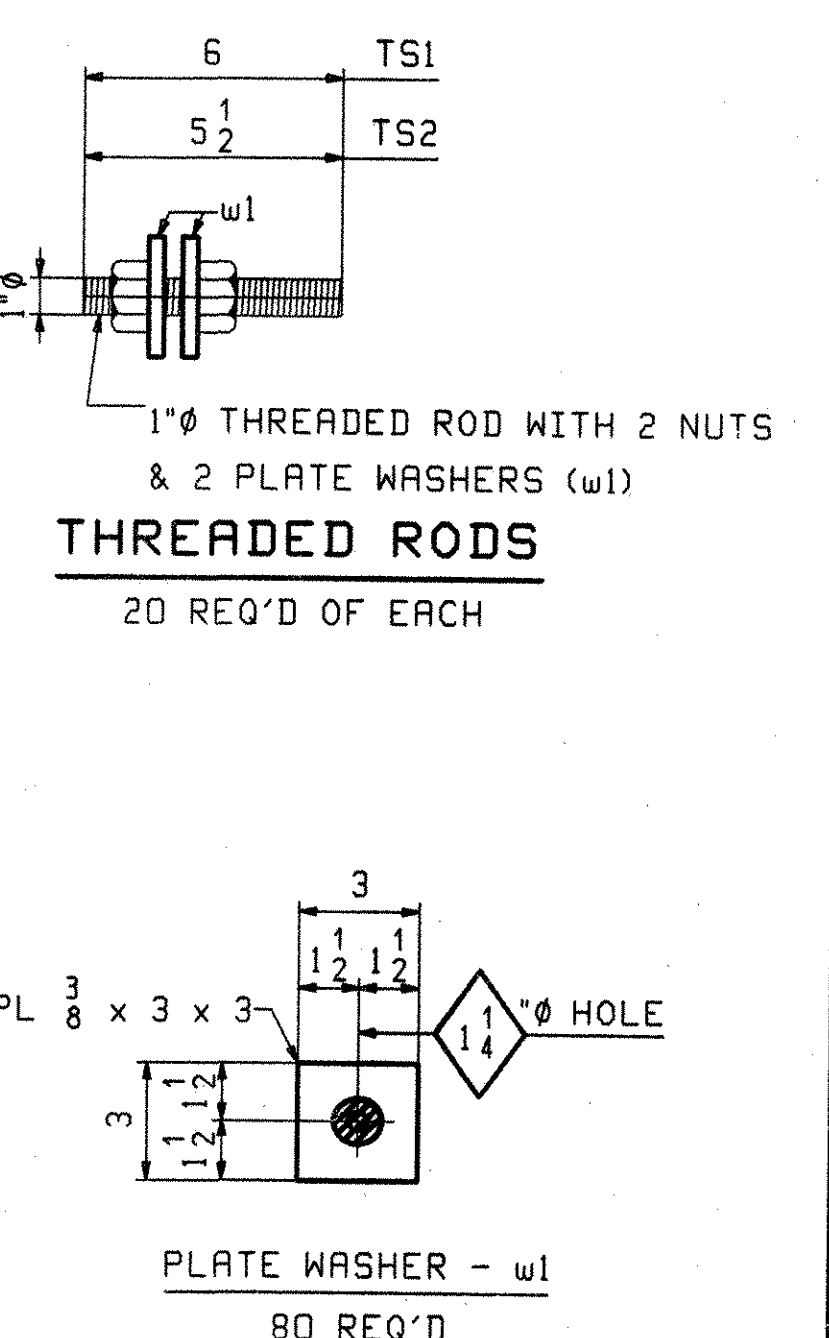
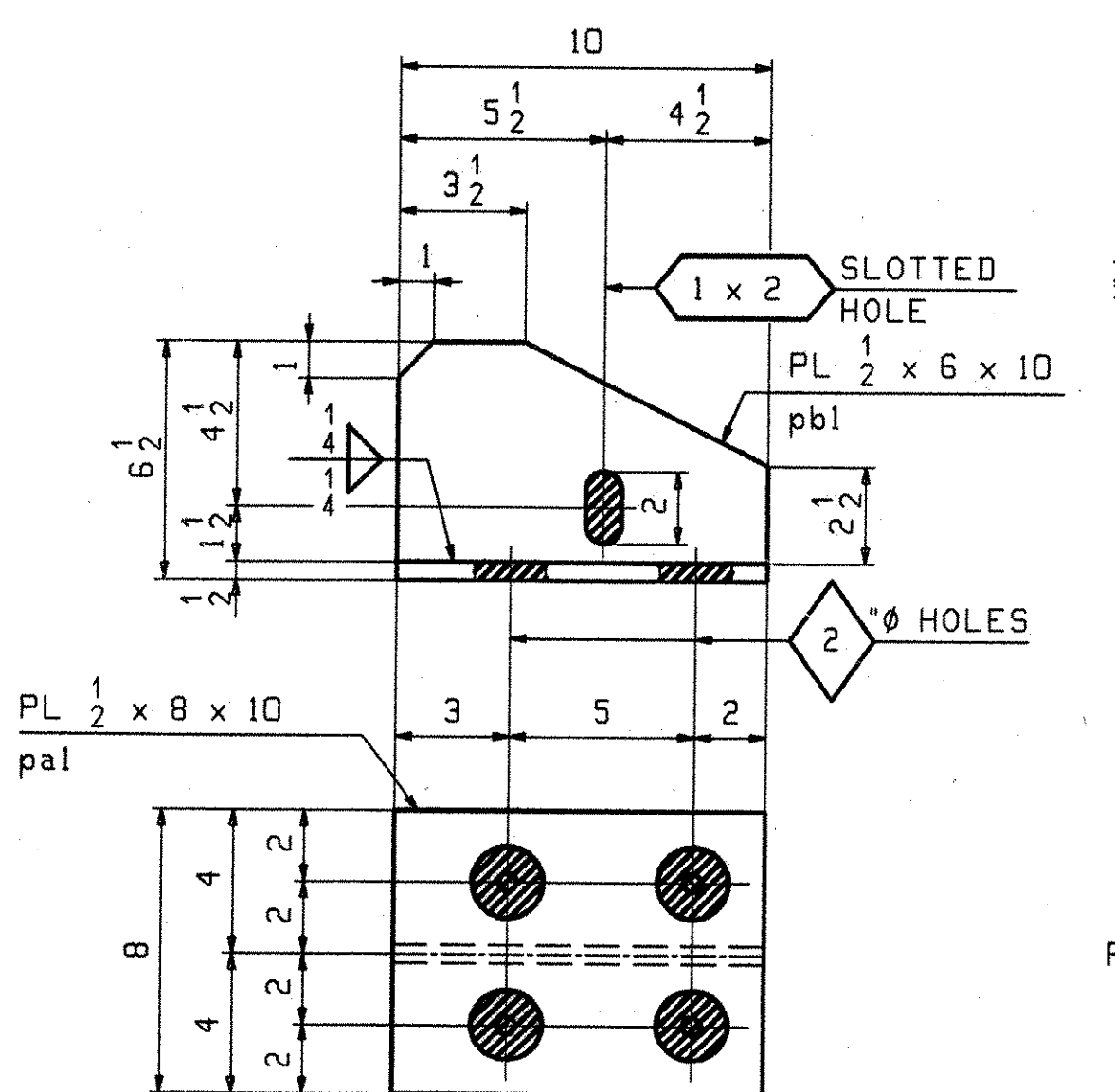
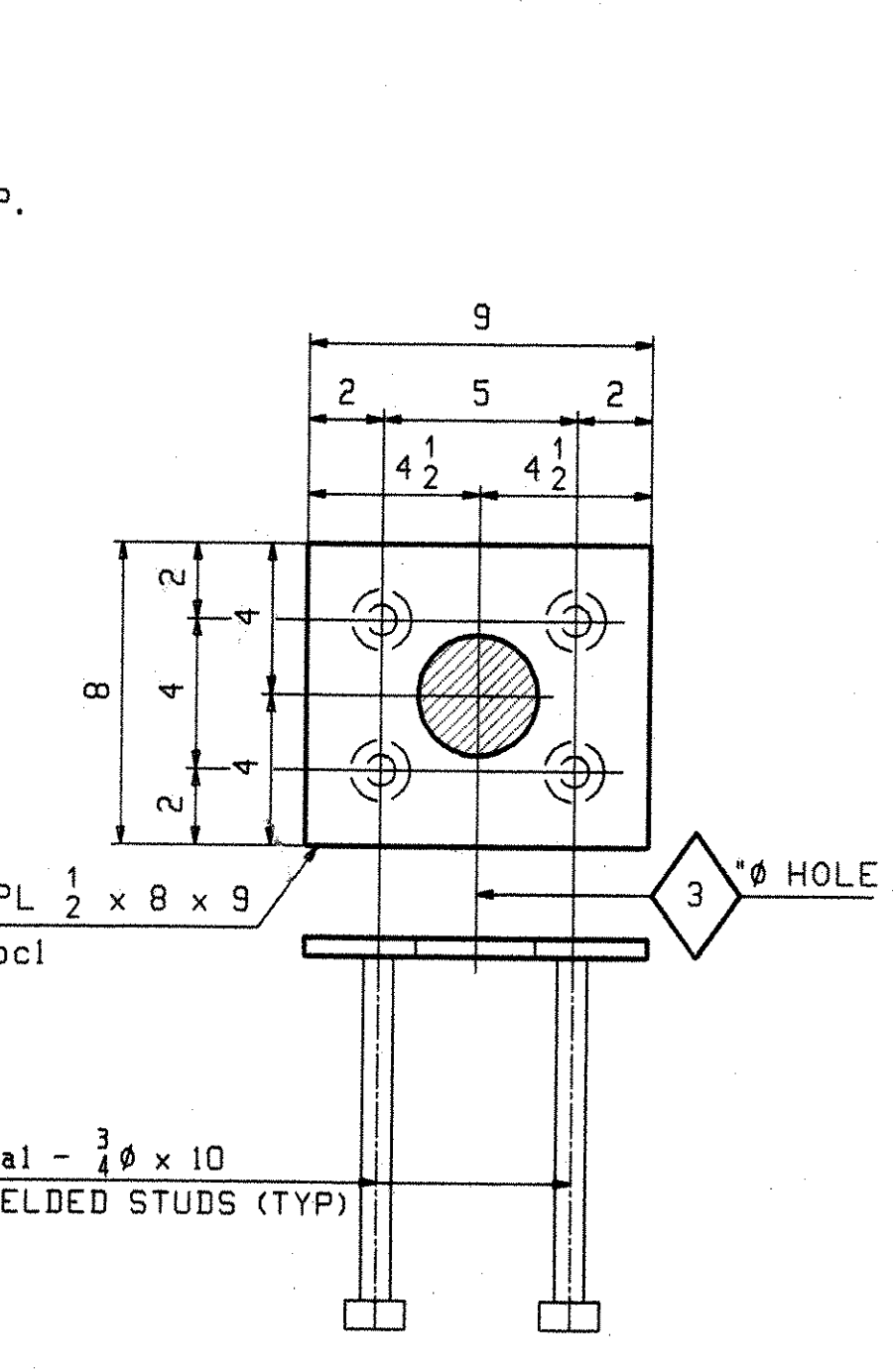
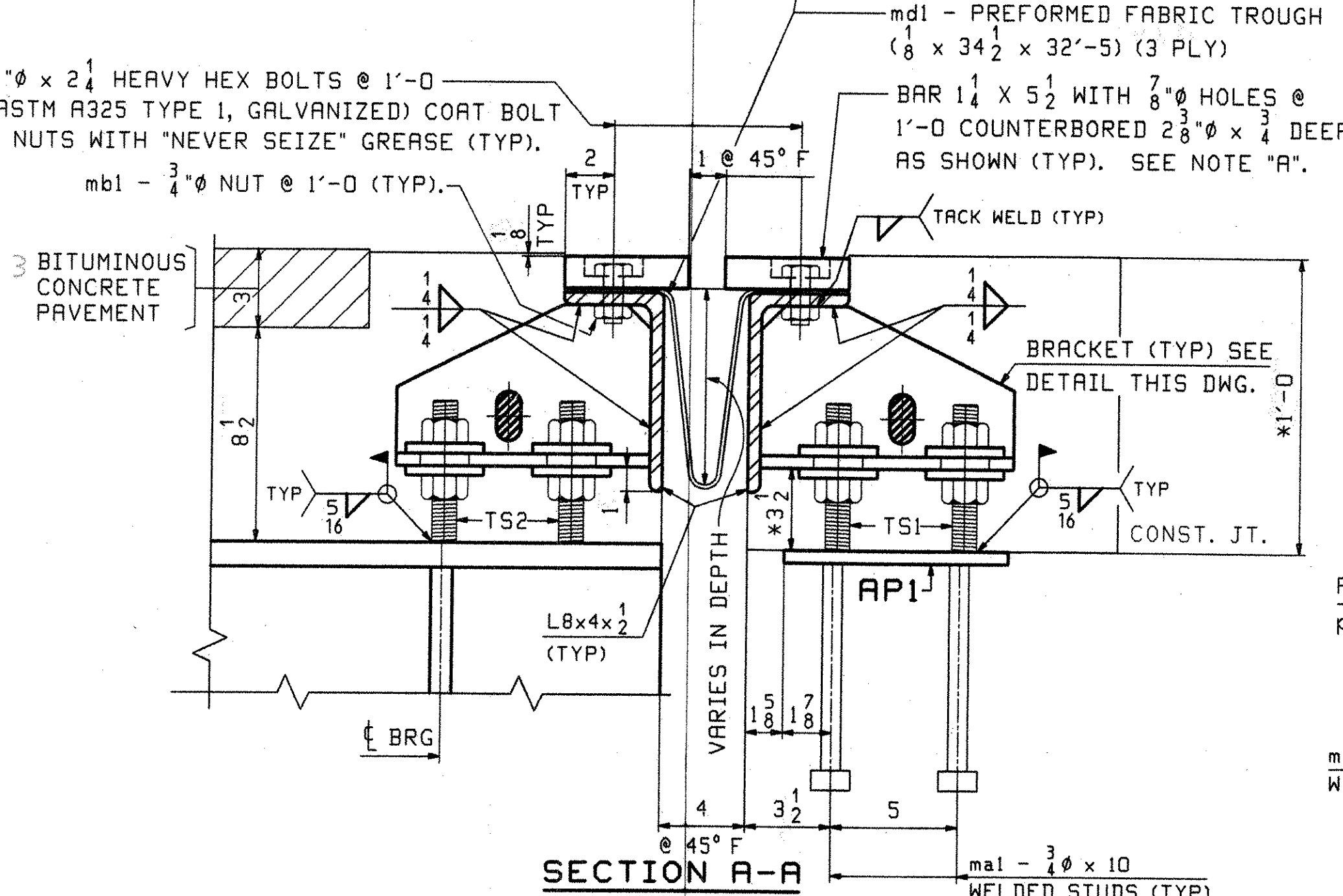
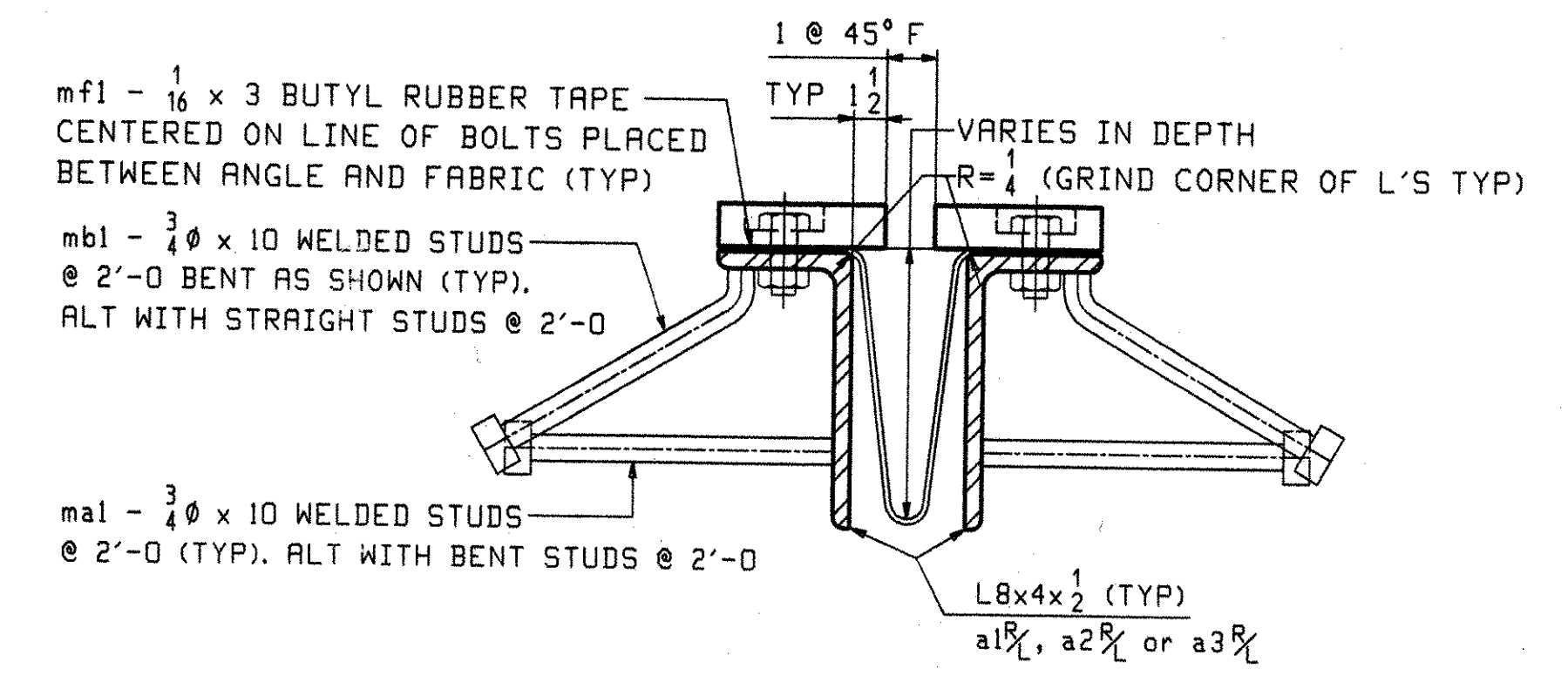
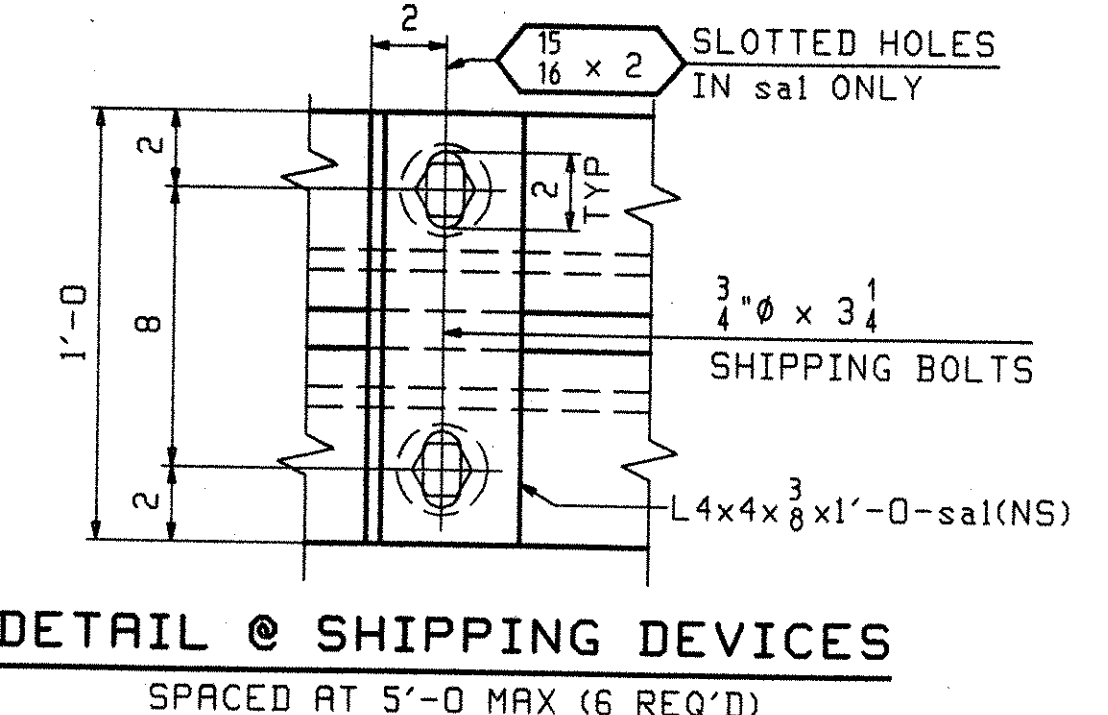
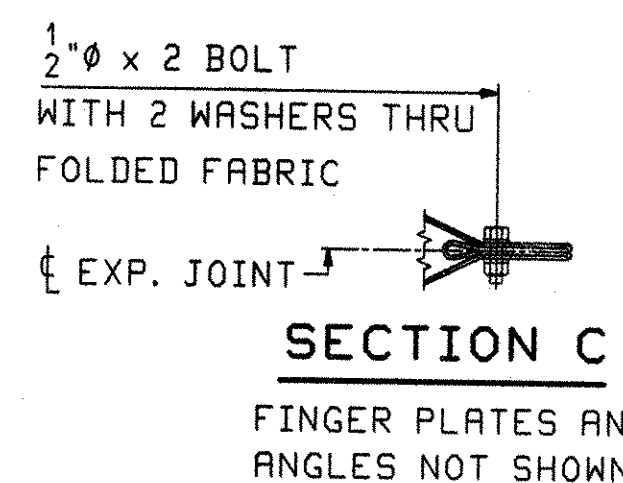


RECEIVED
 JUN 25 2007
 APPROVED
 DATE 7/11/07
 *Expansion Joint shall be shipped as one unit



* THESE DIMENSIONS ARE THEORETICAL AND MAY CHANGE DEPENDING UPON BEAM PROFILES.
 NOTE "A"
 FILL COUNTERBORED HOLES WITH HOT POURED JOINT SEALER (STANDARD SPECIFICATION 707.04 AS MODIFIED BY THE GENERAL SPECIAL PROVISIONS) AFTER BOLT INSTALLATION.
 PAYMENT FOR THE WORK SHALL BE INCIDENTAL TO ITEM 516.11.

TYPICAL SECTION BETWEEN GIRDERS
 WORK THIS DWG WITH DWG J1B

OUT FOR APPROVAL	6/2/07										
OUT FOR APPROVAL											
ISSUED TO SHOP											
FIELD & OFFICE											
REV.	REMARKS	DATE	DWN	CHK	APP	Q.A.	NO.	DIA.	LGT	TYPE	WASHER
MATERIAL:	A709-36	ELECTRODES:		HOLES:	13/16	(UN)		SHOP BOLTS:			AS NOTED
SURFACE PREP. & PAINT: GALVANIZED AFTER FABRICATION (EXCEPT AS NOTED)											
DESCRIPTION:	EXPANSION JOINT (ABUT 2)					DRAWN BY	DATE				
JOB:	TOWN HIGHWAY #3 OVER WILLOUGHBY RIVER BRIDGE NO. 61 (EXPANSION JOINT)					JTB	06/10				
	TOWN OF BARTON, VILLAGE OF ORLEANS COUNTY OF ORLEANS, VERMONT					CHKD BY	ELC 6/15/07				
	CONTRACTOR: JA McDONALD					APPROV BY	SUPERVISOR W. J. GATTI				
PROJ NO.	BRO 1449(29)					Q.A.					
CUSTOMER:	VERMONT ROT										
CASCO BAY STEEL STRUCTURES, INC.						JOB NO.	DRG. NO.				
75 SPRING HILL ROAD						328	J1AB				
PHONE (207) 282-7360						10567	REV. Δ				
SACO, MAINE 04072							FAX. (207) 282-1179				