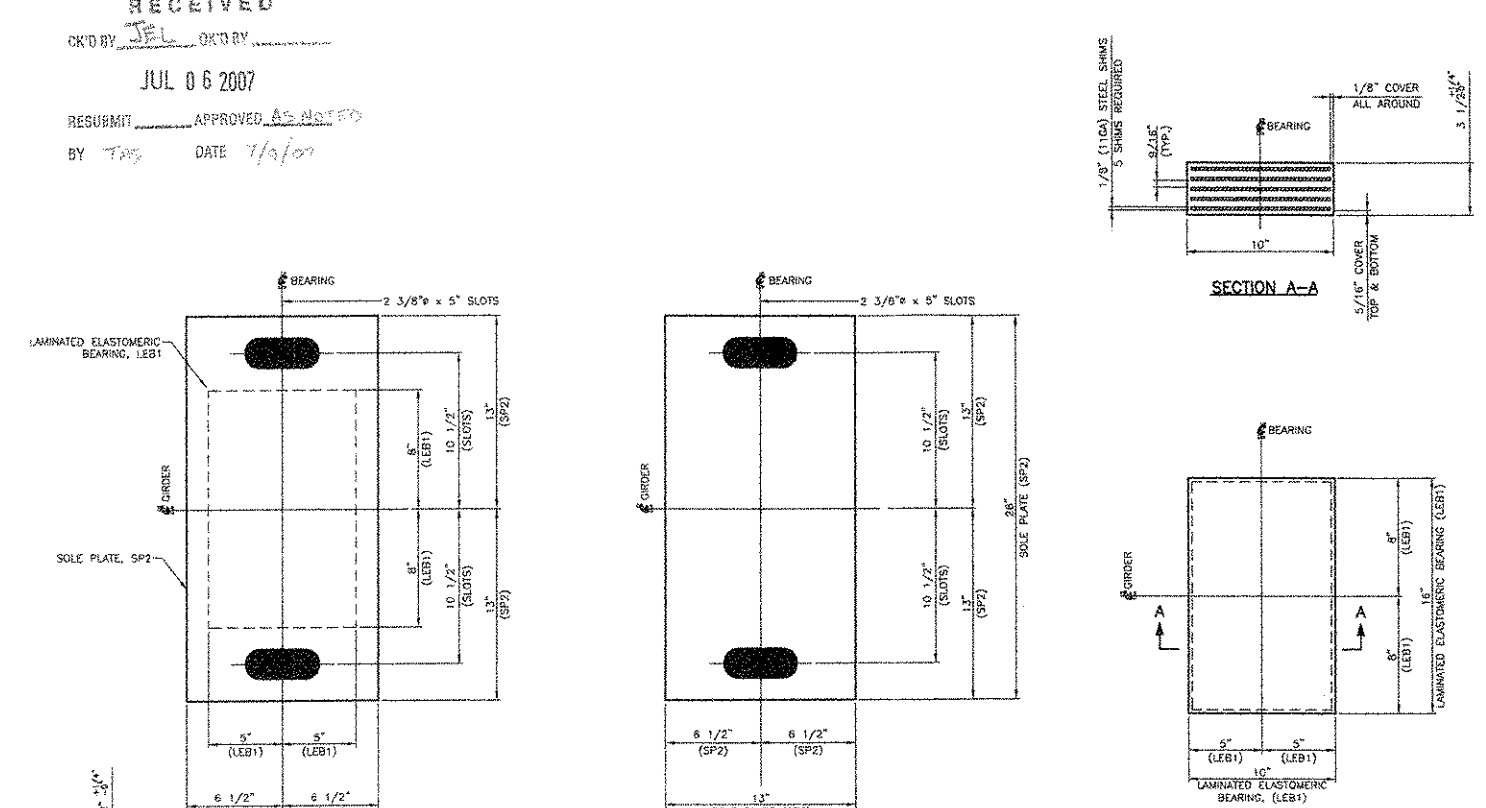
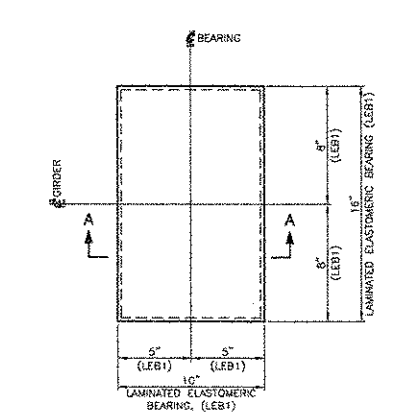
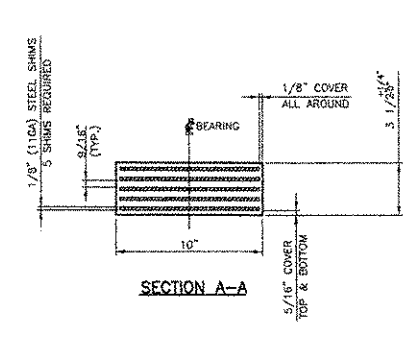


RECEIVED
 JUL 06 2007
 BY TSS DATE 7/4/07

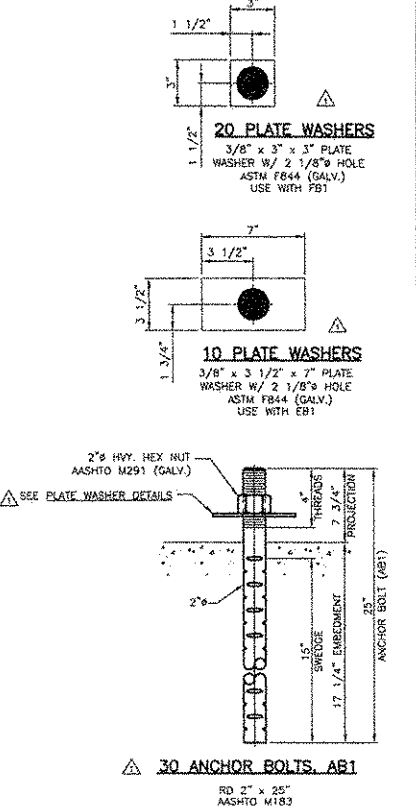


5. EXPANSION BEARING ASSEMBLY, EB1
 LAMINATED ELASTOMERIC BEARING, LEB1
 SOLE PLATE, SP1
 ANCHOR BOLTS, AB1

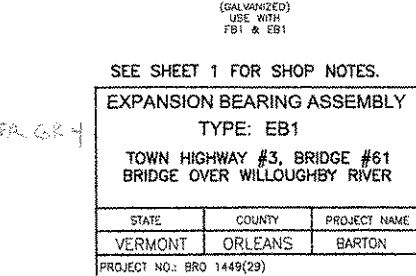
5. EXPANSION SOLE PLATES, SP2
 1\"/>



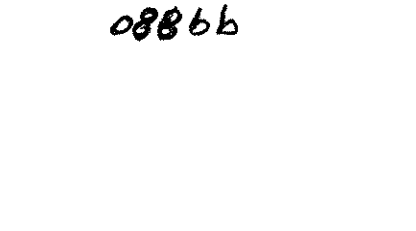
5. LAMINATED ELASTOMERIC BEARING, LEB1
 LAMINATED ELASTOMERIC BEARING, LEB1
 IN ACCORDANCE WITH SECTION 203.02 OF THE STATE OF
 WISCONSIN, THIS LEB1 SHALL BE MANUFACTURED BY
 MANUFACTURERS AND SHOWN TO BE EQUIVALENT TO
 THE LEB1 AS SHOWN ON THIS DRAWING.
 MANUFACTURER'S NAME AND ADDRESS SHALL BE
 INDICATED ON THE LEB1.
 THIS BEARING SHALL BE
 MANUFACTURED TO THE FOLLOWING SPECIFICATIONS:



20 PLATE WASHERS
 1.50\"/>



10 PLATE WASHERS
 1.50\"/>



30 ANCHOR BOLTS, AB1
 1.50\"/>

SEE SHEET 1 FOR SHOP NOTES.
 EXPANSION BEARING ASSEMBLY
 TYPE: EB1
 TOWN HIGHWAY #3, BRIDGE #61
 BRIDGE OVER WILCOUGHBY RIVER

STATE	COUNTY	PROJECT NAME
WISCONSIN	DOUGLASS	BRIDGE
PROJECT NO. 880 1448031		
DYNAMIC RUBBER		
MANUFACTURER	ADDRESS	CITY
MANUFACTURER	ADDRESS	CITY
DATE	BY	CHKD BY
DATE	BY	CHKD BY
DATE	BY	CHKD BY
DATE	BY	CHKD BY

08866