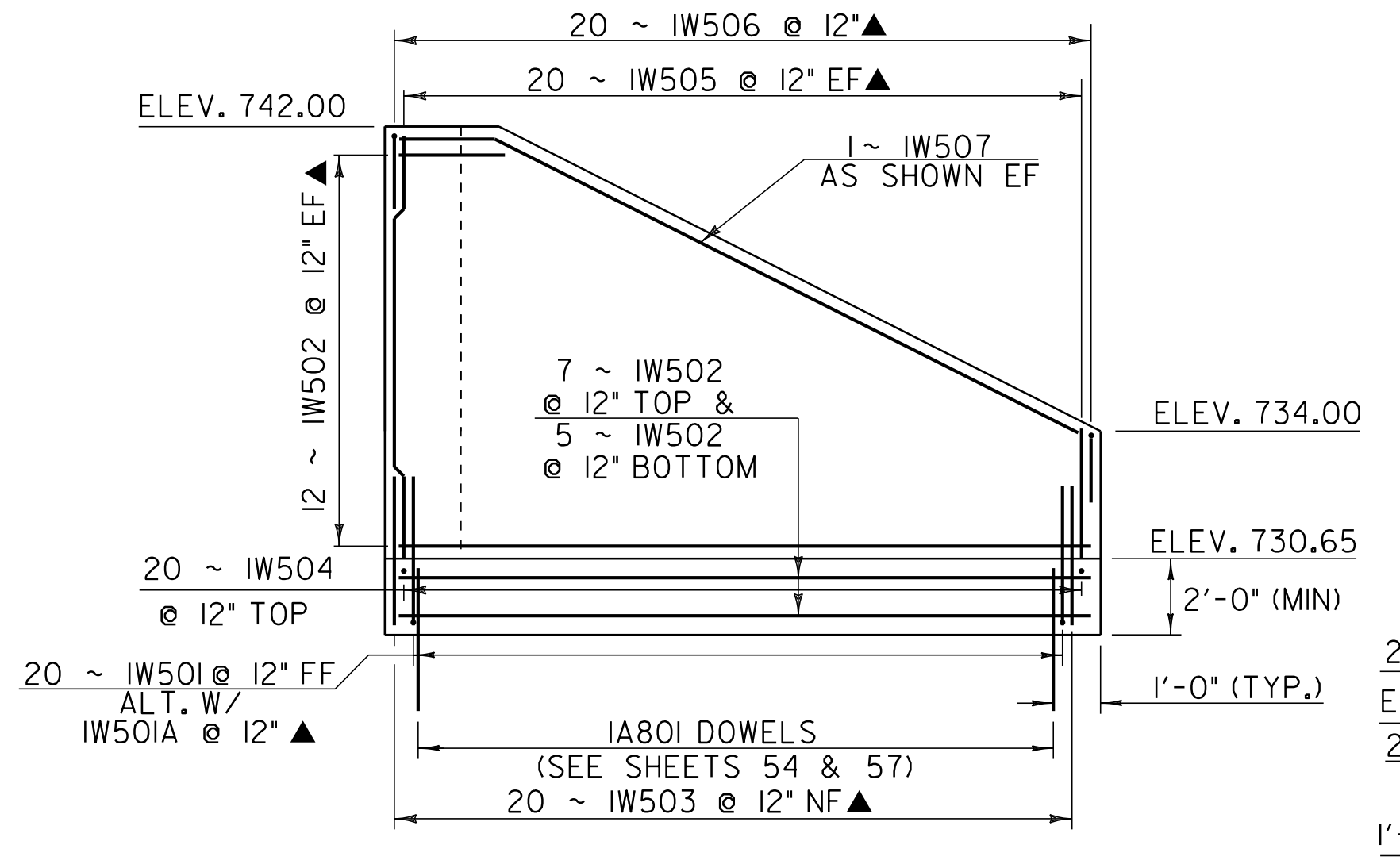


WINGWALL #1 SECTION

SCALE 1/4" = 1'-0"
 1 0 2 4 6

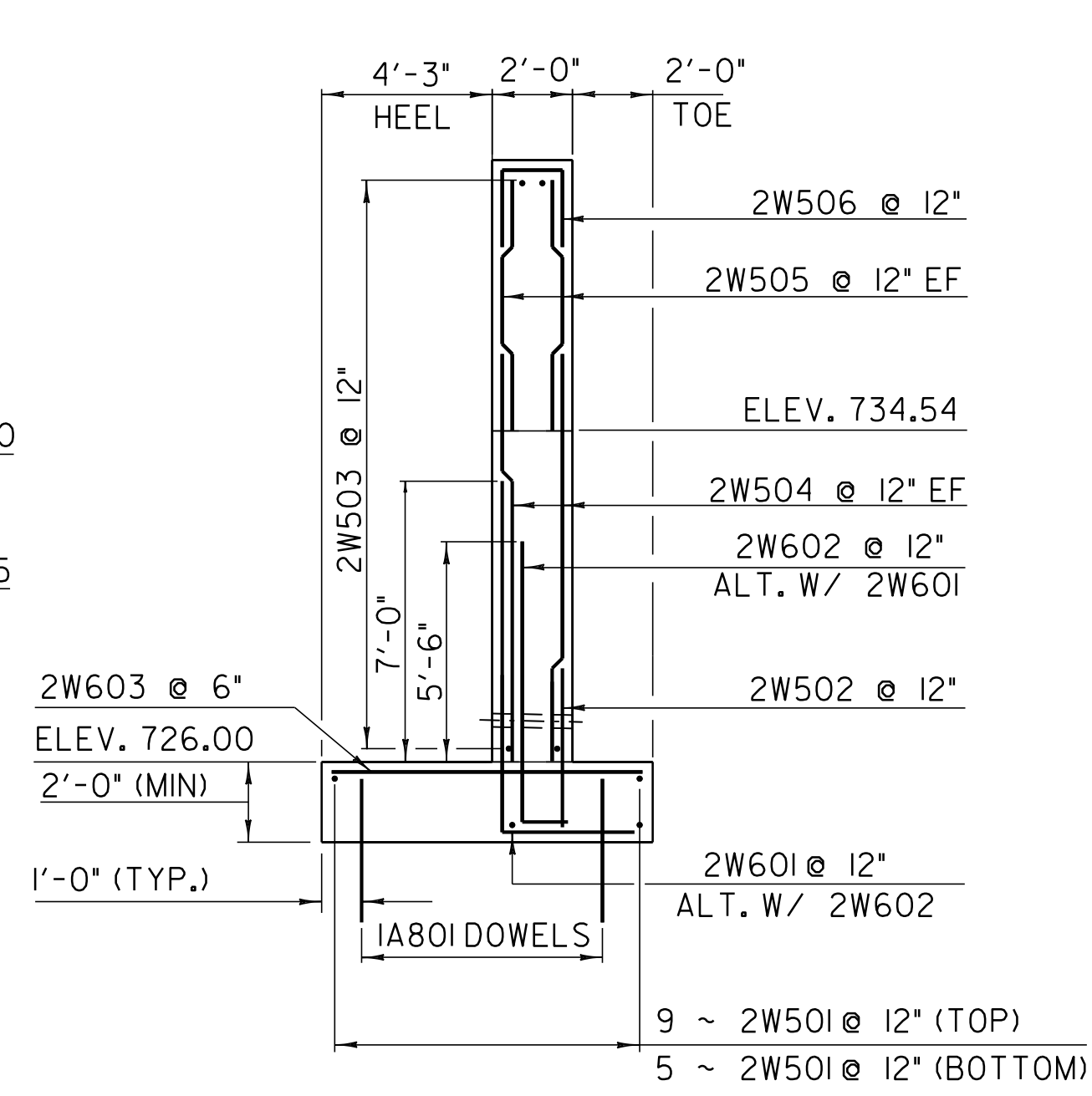
ww - revised 7/2/07



WINGWALL #1 ELEVATION

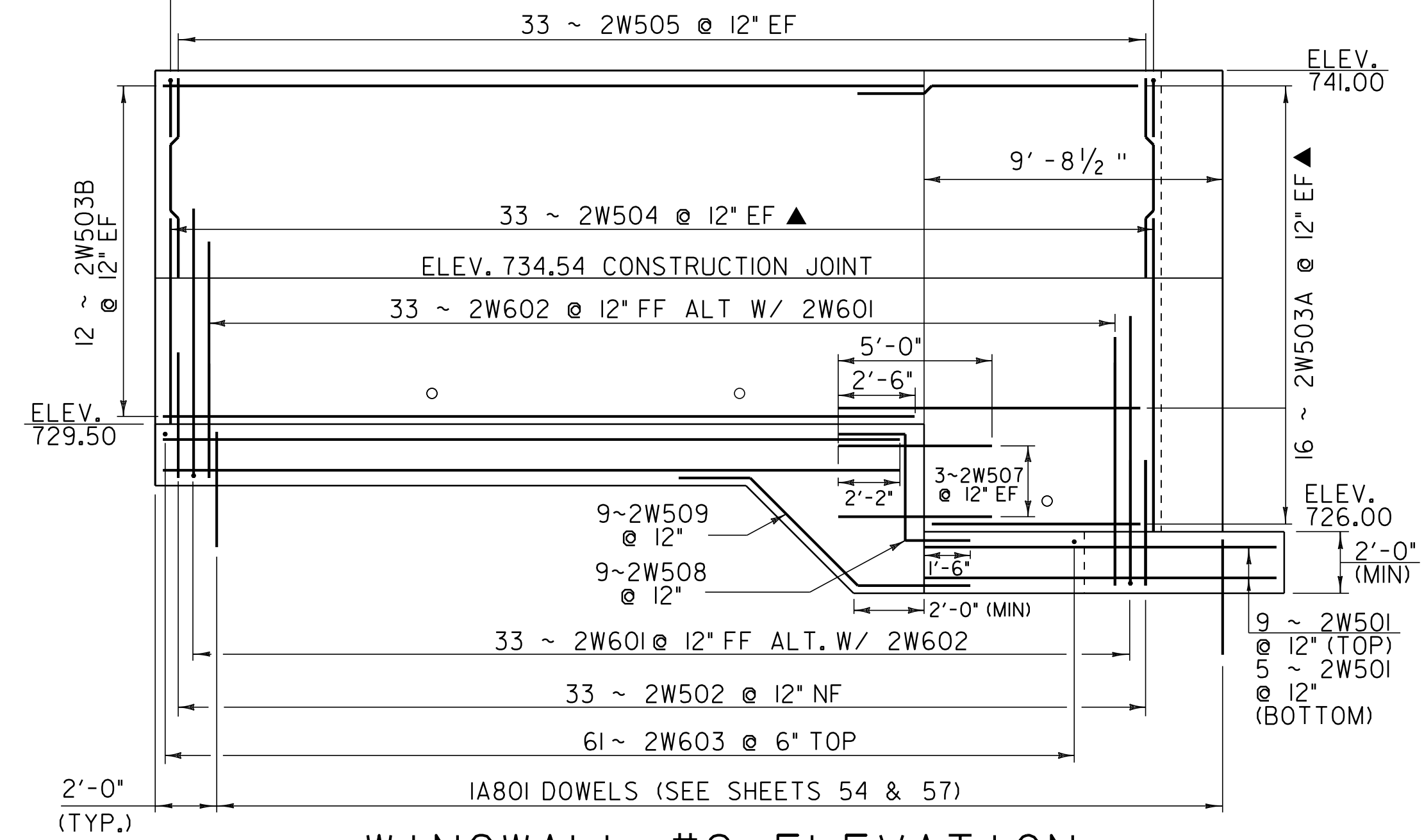
SCALE 1/4" = 1'-0"
 1 0 2 4 6

ww - revised 7/6/07



WINGWALL #2 SECTION

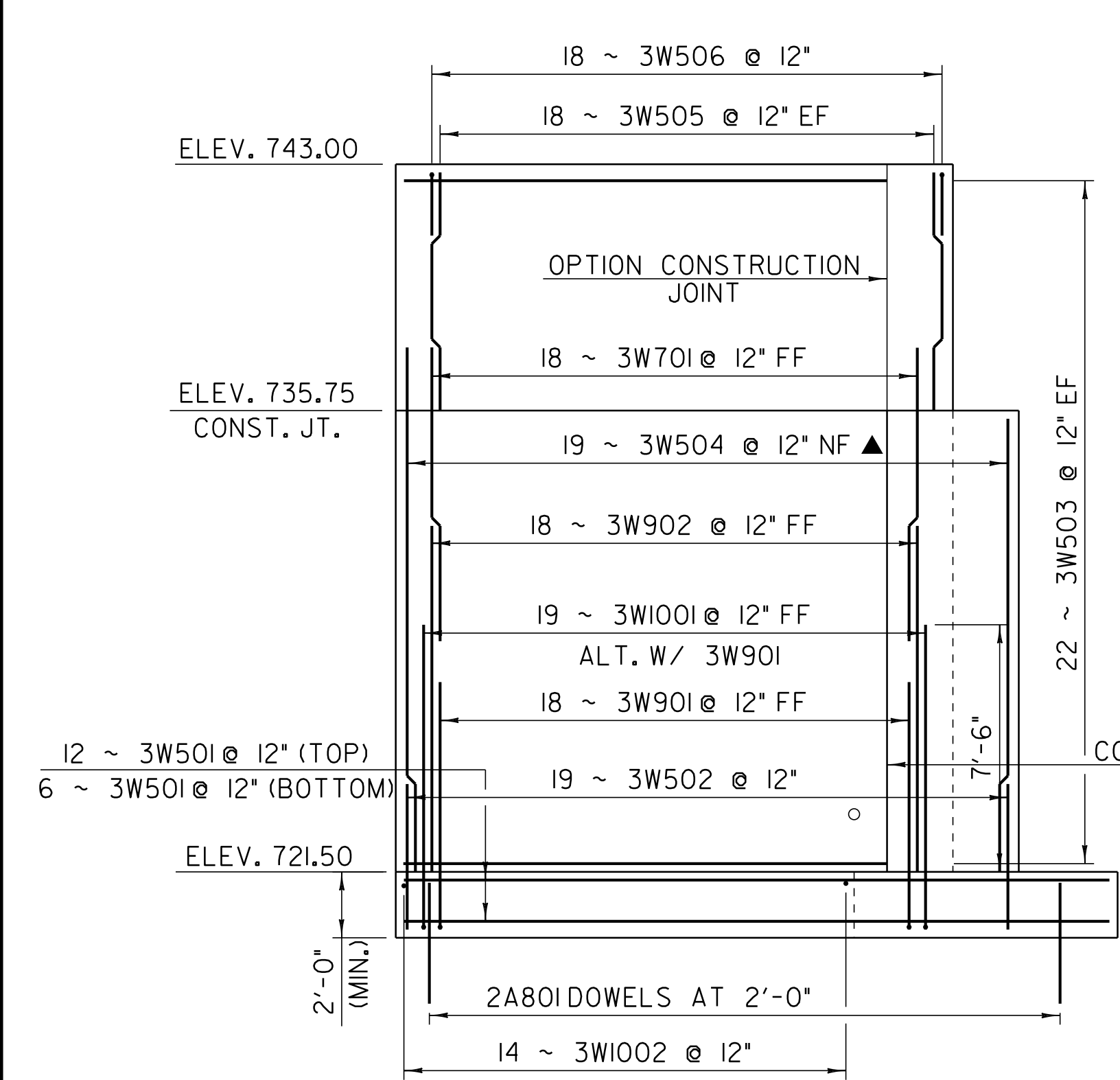
SCALE 1/4" = 1'-0"
 1 0 2 4 6



WINGWALL #2 ELEVATION

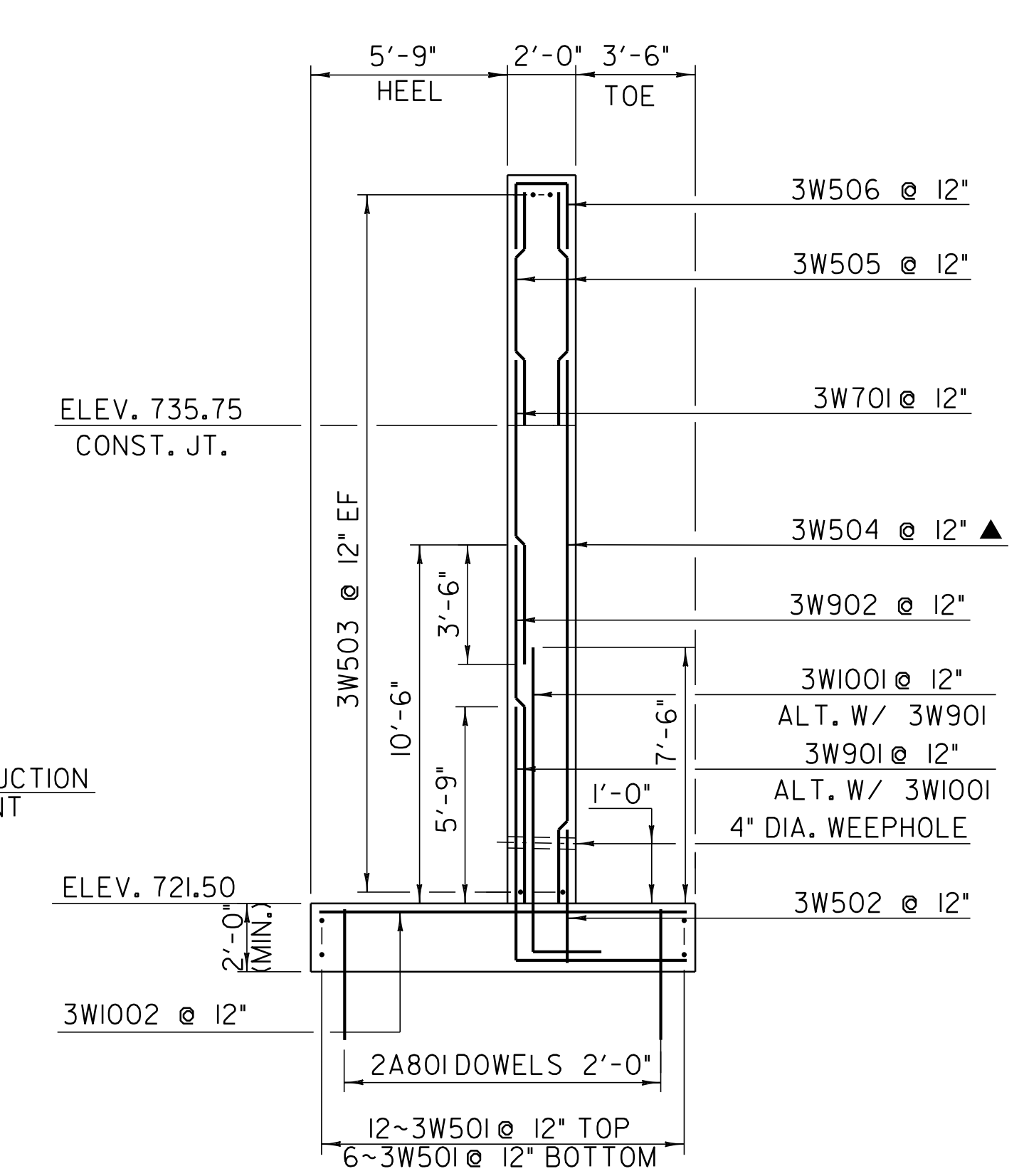
SCALE 1/4" = 1'-0"
 1 0 2 4 6

ww - revised 7/6/07



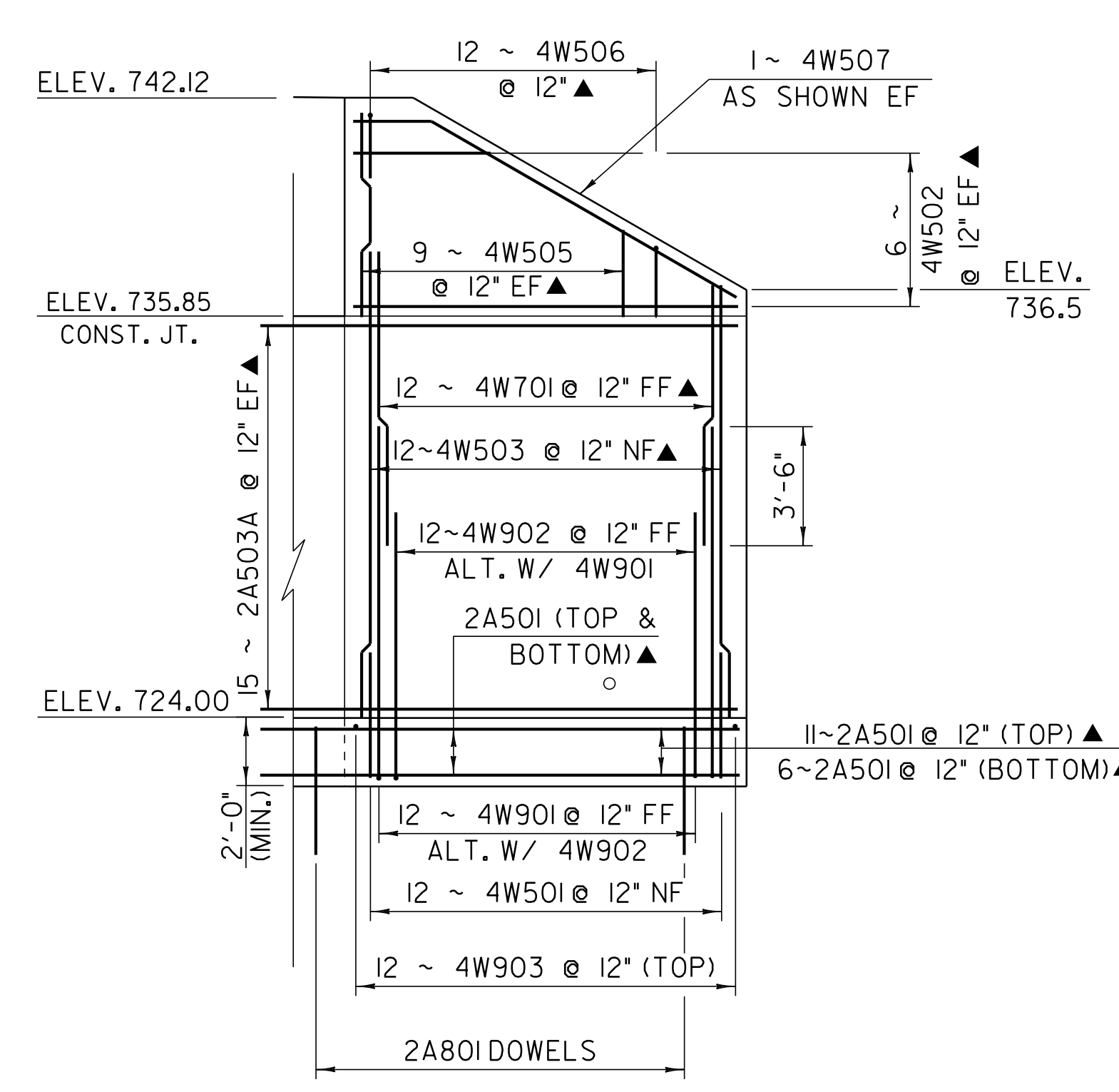
WINGWALL #3 ELEVATION

SCALE 1/4" = 1'-0"
 1 0 2 4 6



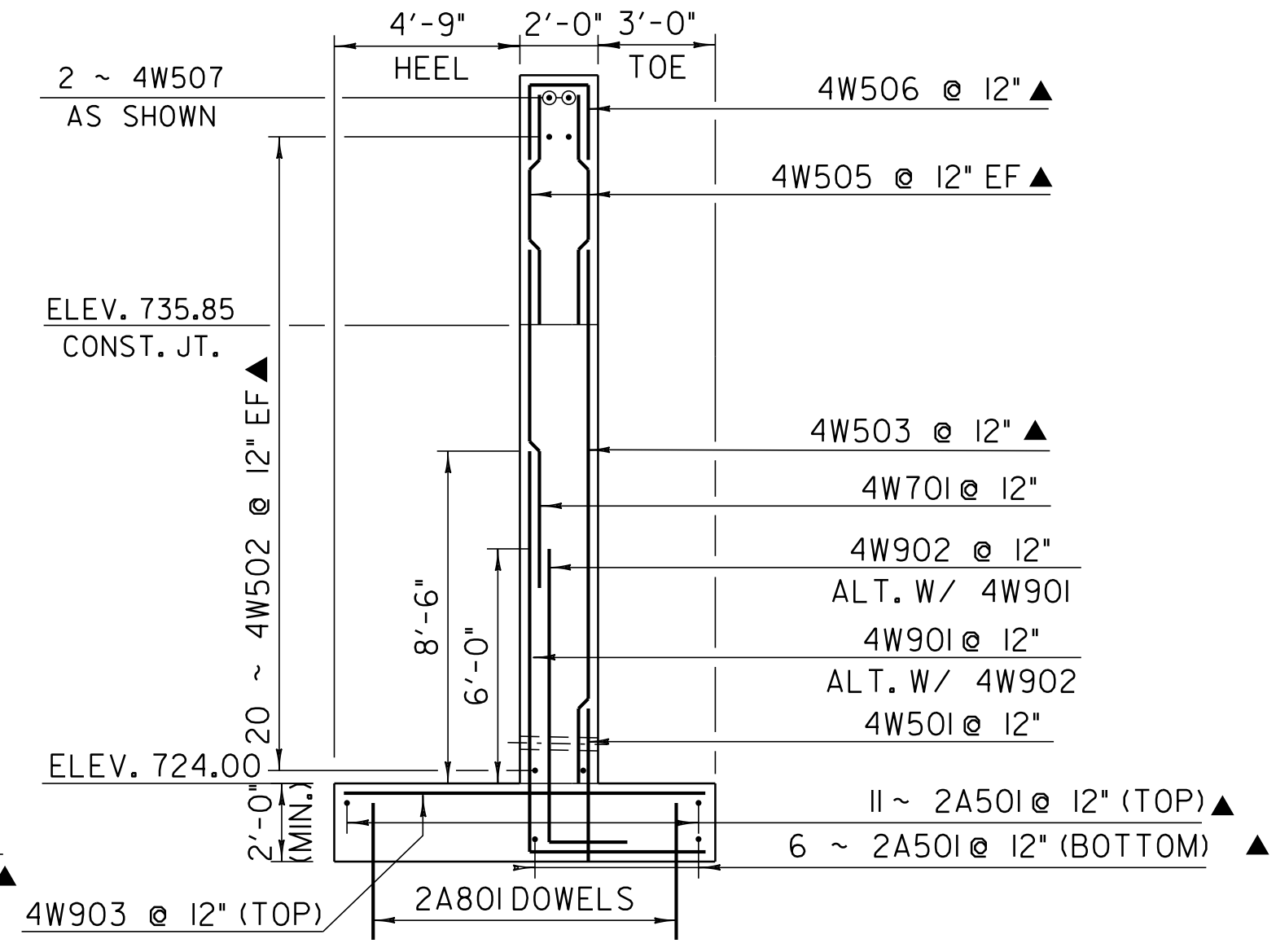
WINGWALL #3 SECTION

SCALE 1/4" = 1'-0"
 1 0 2 4 6



WINGWALL #4 ELEVATION

SCALE 1/4" = 1'-0"
 1 0 2 4 6



WINGWALL #4 SECTION

SCALE 1/4" = 1'-0"
 1 0 2 4 6

NOTE:
 NF = NEAR FACE
 FF = FAR FACE
 EF = EACH FACE
 ▲ = CUT TO FIT IN FIELD
 3" CLEAR UNLESS OTHERWISE SPECIFIED ON THE PLANS
 2'-2" BAR LAP UNLESS OTHERWISE SPECIFIED ON THE PLANS

ABUTMENT #2 AND WINGWALL #4 HAVE BEEN REVISED DUE TO THE OCCURRENCE OF COMPETENT BEDROCK SHALLOWER THEN EXPECTED

WINGWALL ELEVATIONS

PROJECT NAME:	BARTON	FILE NAME:	/str5/01j168/sj168sub.dgn	PLOT DATE:	12-SEP-2011
PROJECT NUMBER:	BRO 1449 (29)	PROJECT LEADER:	W. SYMONDS	DRAWN BY:	J. SALVATORI
		DESIGNED BY:	J. LACROIX	CHECKED BY:	T. SUMNER
			sj168ww.i		SHEET 58 OF 84