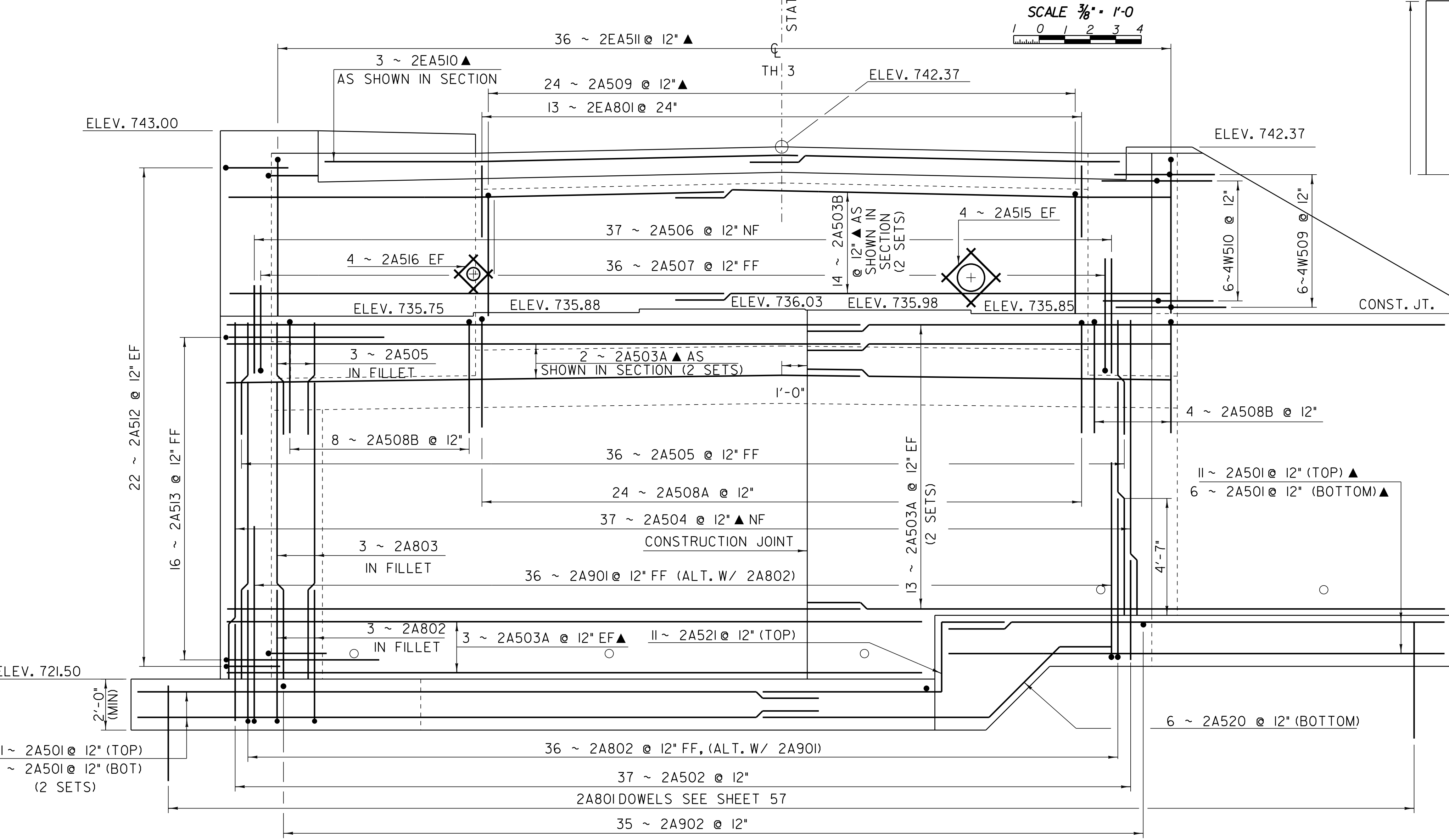
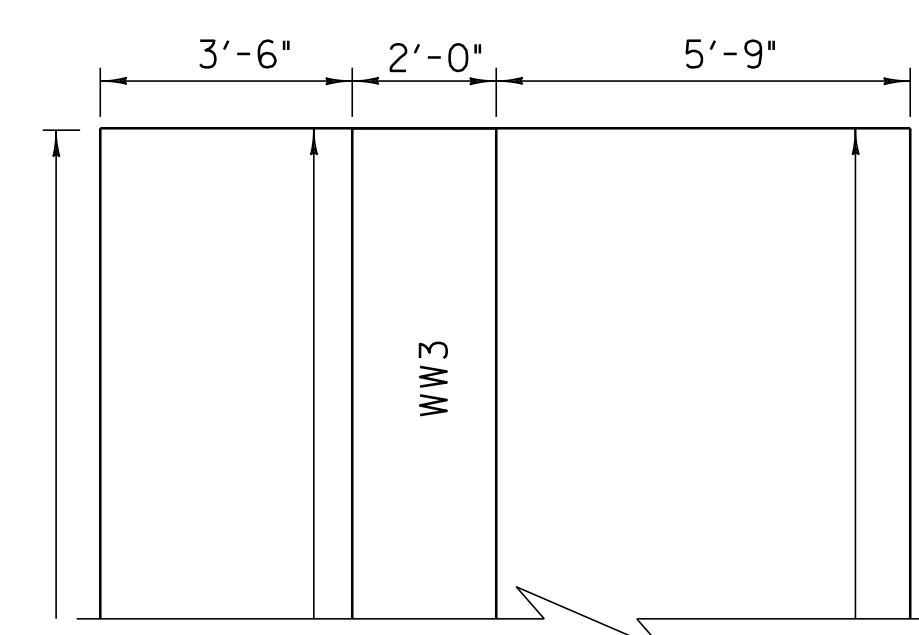


**ABUTMENT #2 FOOTING PLAN**

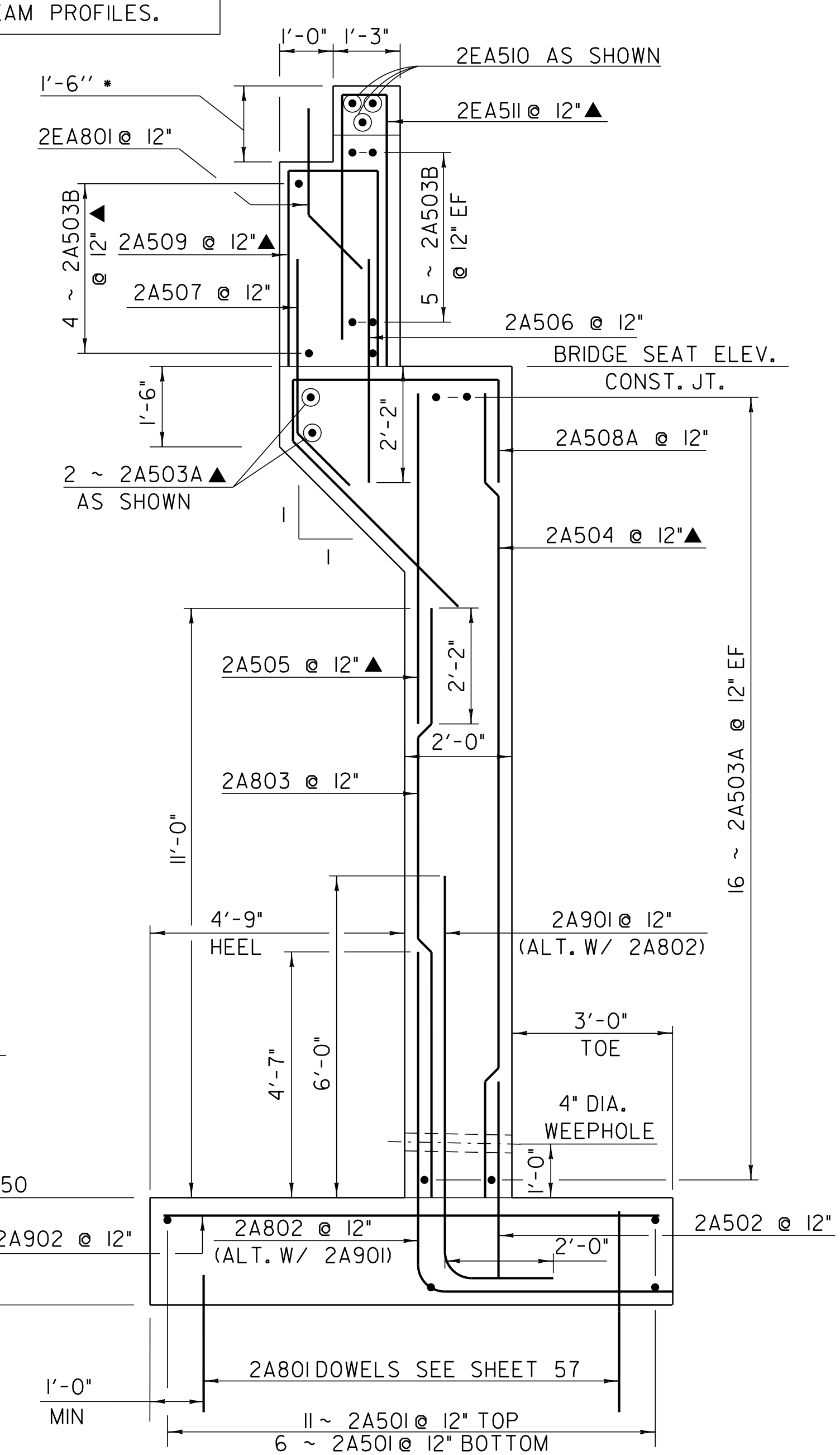
SCALE 3/8" = 1'-0"  
 1 0 1 2 3 4



• THIS DIMENSION IS THEORETICAL AND MAY CHANGE DEPENDING UPON THE OUTCOME OF THE BEAM PROFILES.



MATCHLINE A



**ABUTMENT #2A SECTION**

SCALE 1/2" = 1'-0"  
 1 0 1 2

**NOTE:**  
 NF = NEAR FACE  
 FF = FAR FACE  
 EF = EACH FACE  
 ▲ = CUT TO FIT IN FIELD  
 3" CLEAR UNLESS OTHERWISE SPECIFIED ON THE PLANS  
 2'-2" BAR LAP UNLESS OTHERWISE SPECIFIED ON THE PLANS

**ABUTMENT #2 AND WINGWALL #4 HAVE BEEN REVISED DUE TO THE OCCURRENCE OF COMPETENT BEDROCK SHALLOWER THEN EXPECTED**

**ABUTMENT #2 DETAILS**

ABUTMENT #2  
 ELEVATION  
 SCALE 3/8" = 1'-0"  
 1 0 1 2 3 4

PROJECT NAME:	BARTON	FILE NAME:	/str5/01j168/sj168sub.dgn	PLOT DATE:	12-SEP-2011
PROJECT NUMBER:	BRO 1449 (29)	PROJECT LEADER:	W. SYMONDS	DRAWN BY:	J. SALVATORI
		DESIGNED BY:	J. LACROIX	CHECKED BY:	T. SUMNER
			sj168ab2.i		SHEET 55 OF 84