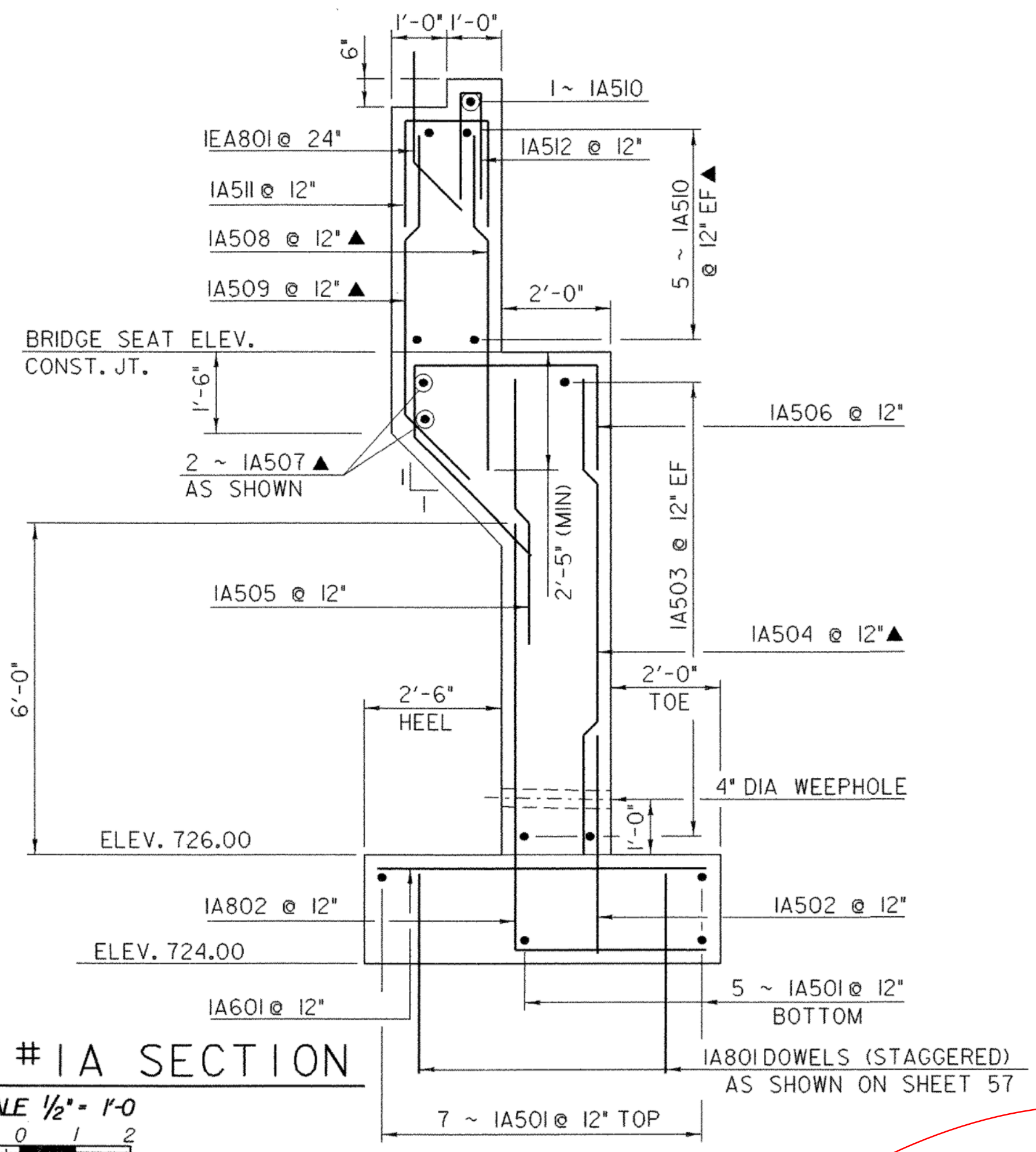
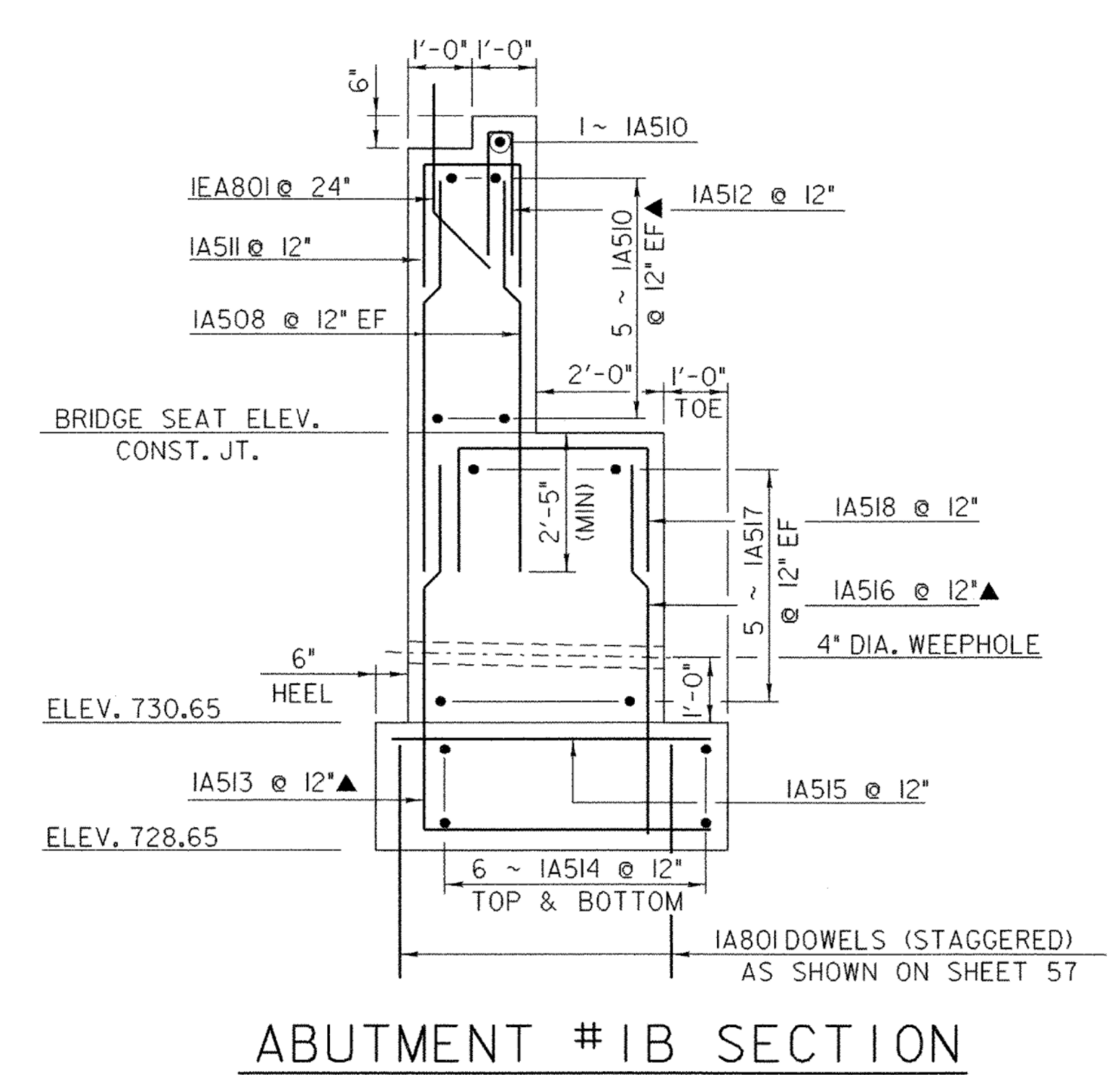


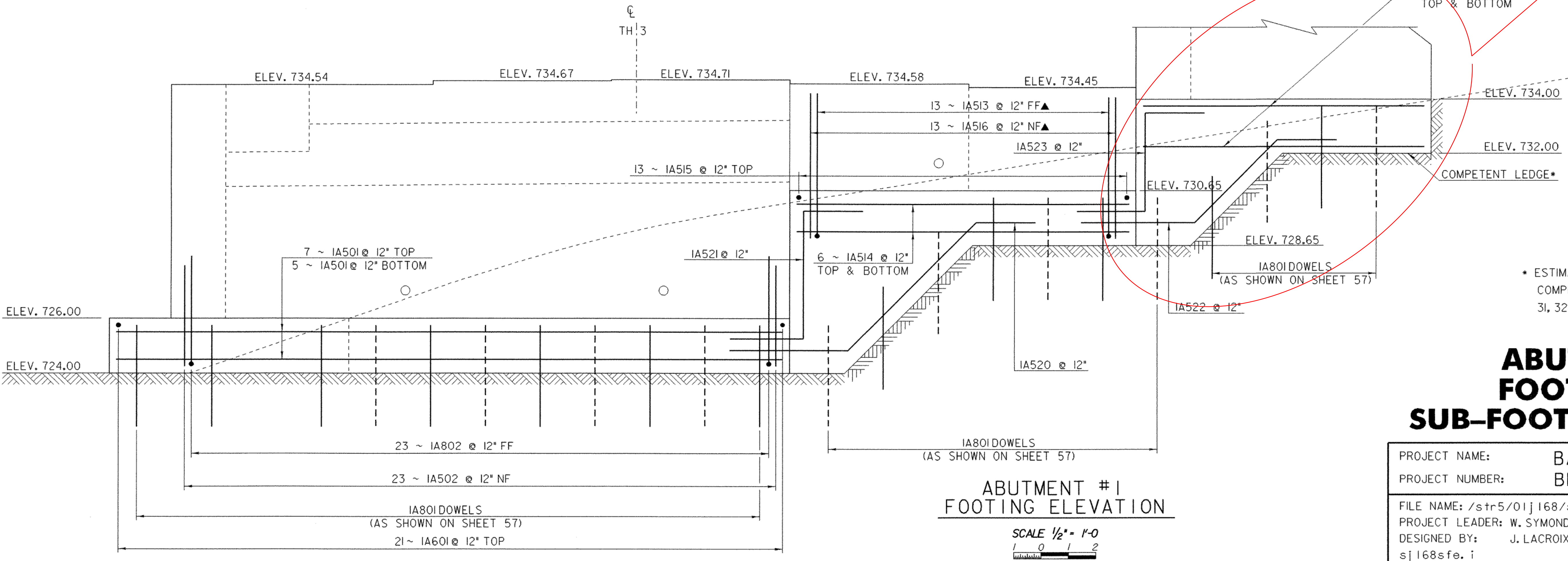
SCALE 1/2" = 1'-0"



ABUTMENT #1A SECTION



ABUTMENT #1B SECTION



ABUTMENT #1 FOOTING ELEVATION

NA SEE REVISED FOOTING AND WW#1 DESIGNS

APPROXIMATE INCOMPETENT LEDGE

**NOTE:**  
 NF = NEAR FACE  
 FF = FAR FACE  
 EF = EACH FACE  
 ▲ = CUT TO FIT IN FIELD  
 3" CLEAR UNLESS OTHERWISE SPECIFIED ON THE PLANS  
 2'-2" BAR LAP UNLESS OTHERWISE SPECIFIED ON THE PLANS

\* ESTIMATED LOCATION OF COMPETENT LEDGE. SEE GENERAL NOTES 31, 32, 33, 34 AND 35 FOR LEDGE INFORMATION.

# ABUTMENT #1, FOOTING AND SUB-FOOTING ELEVATION

PROJECT NAME:	BARTON	FILE NAME:	/str5/01j168/sj168sub.dgn	PLOT DATE:	02-APR-2007
PROJECT NUMBER:	BRO 1449 (29)	PROJECT LEADER:	W. SYMONDS	DRAWN BY:	J. SALVATORI
		DESIGNED BY:	J. LACROIX	CHECKED BY:	T. SUMNER
		sj168sfe.i			SHEET 54 OF 84