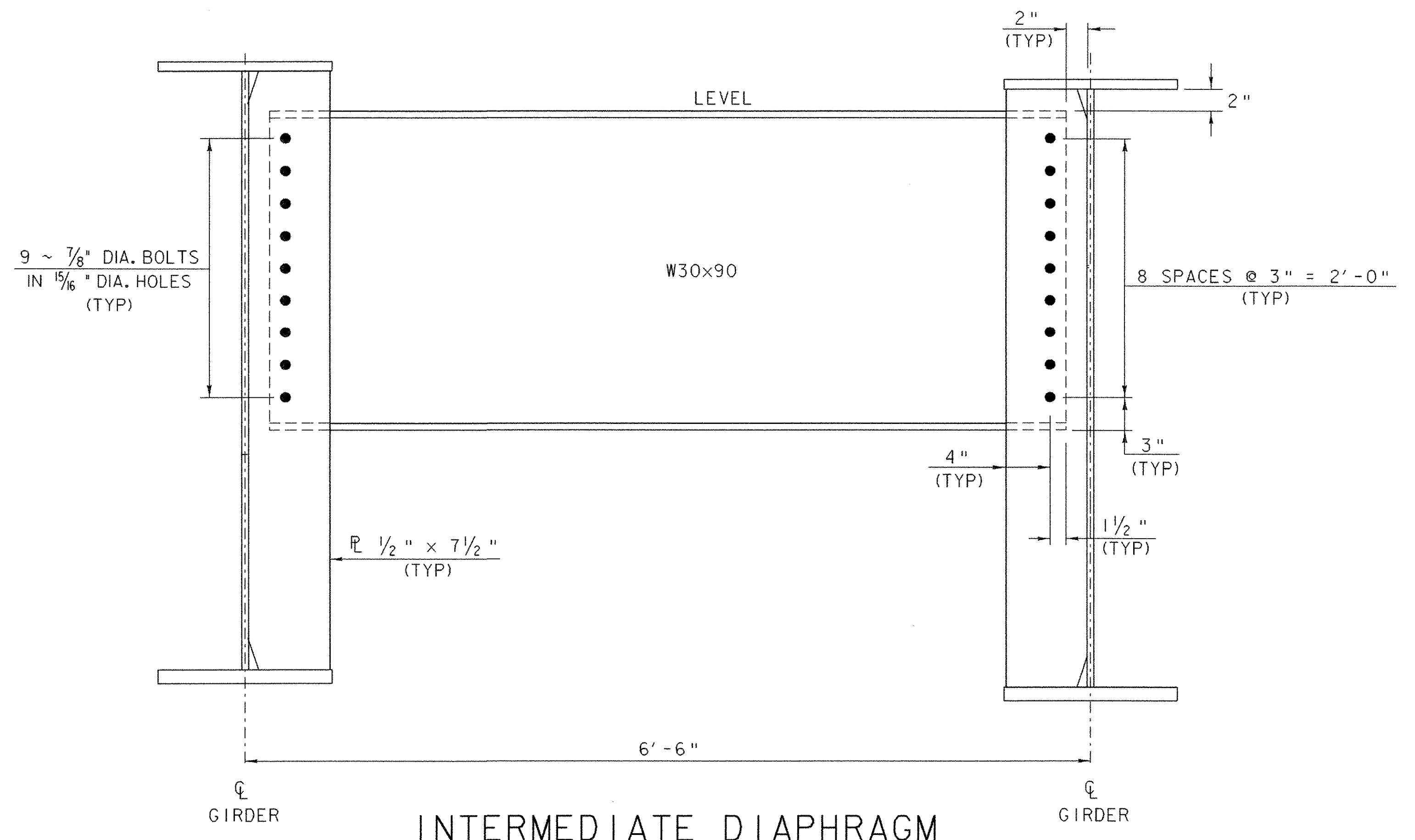


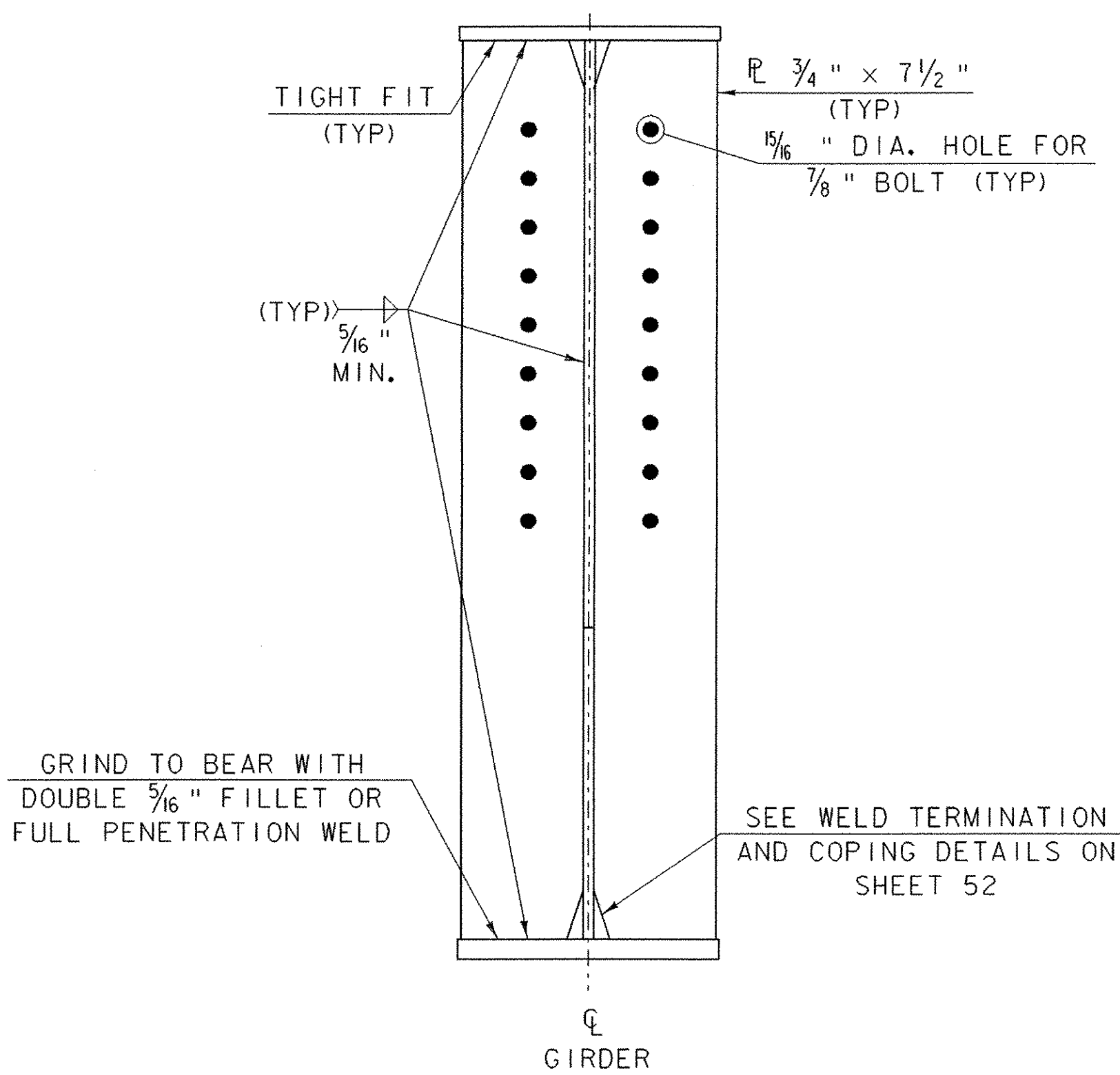
**ABUTMENT DIAPHRAGM**

SCALE 1 1/2" = 1'-0"  
 0 3 6 9 1



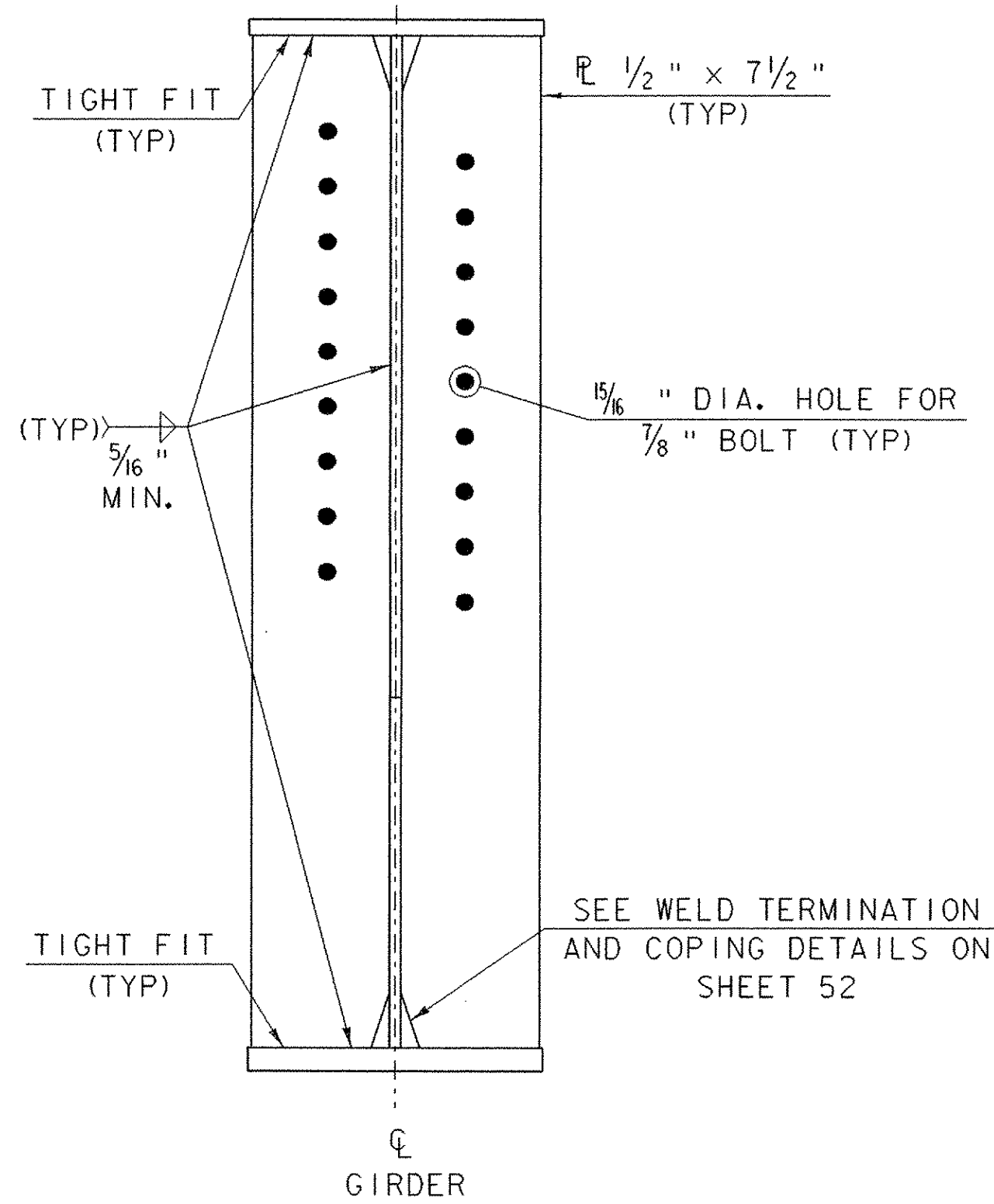
**INTERMEDIATE DIAPHRAGM**

SCALE 1 1/2" = 1'-0"  
 0 3 6 9 1



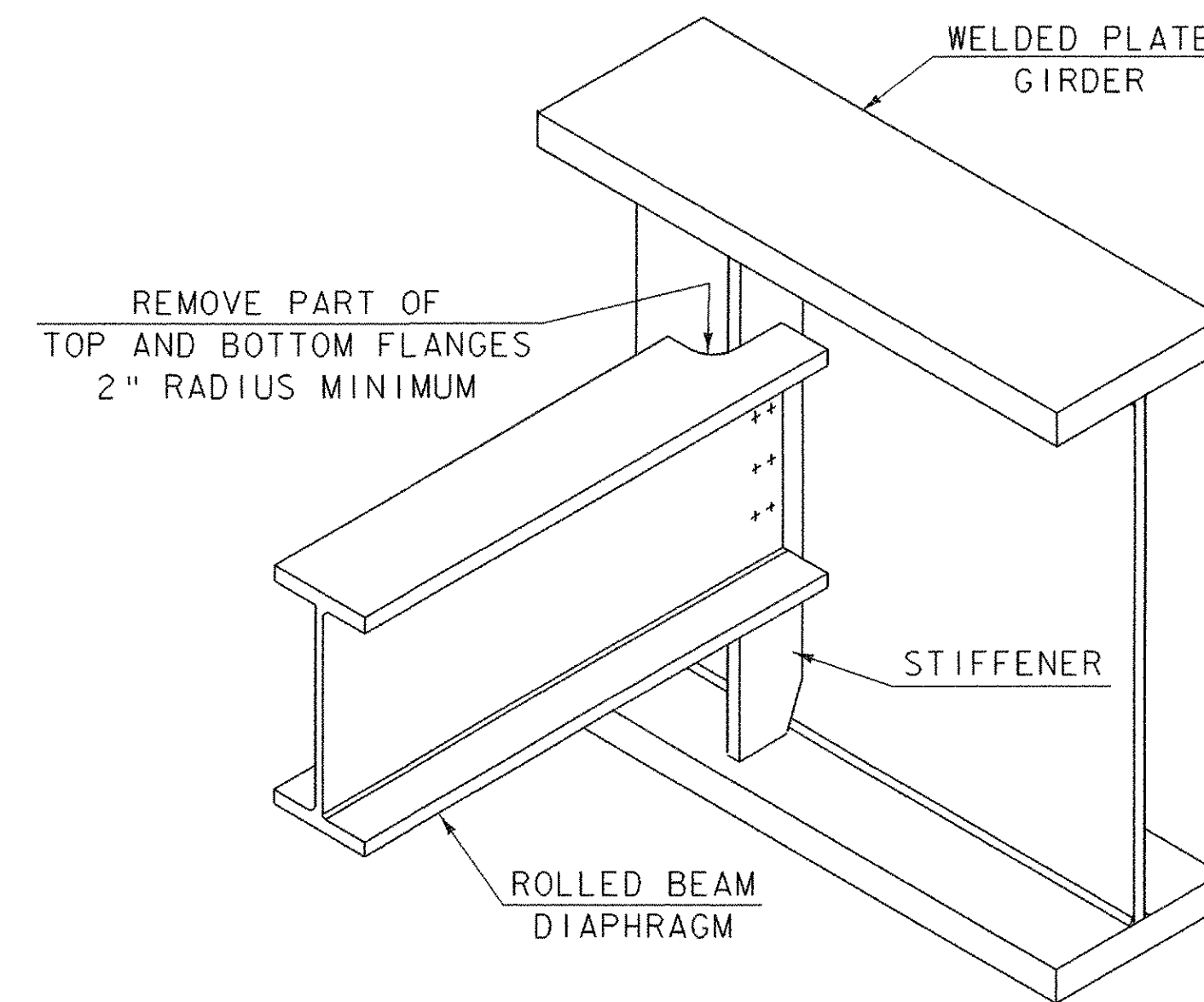
**ABUTMENT BEARING STIFFENER**

SCALE 1 1/2" = 1'-0"  
 0 3 6 9 1



**INTERMEDIATE DIAPHRAGM CONNECTION PLATE**

SCALE 1 1/2" = 1'-0"  
 0 3 6 9 1



**ROLLED BEAM USED AS DIAPHRAGM**

SEE THIS SHEET FOR SIZES OF MEMBERS AND CONNECTION DETAILS

**STRUCTURAL CONNECTION DETAILS**

|                                      |                        |
|--------------------------------------|------------------------|
| PROJECT NAME:                        | BARTON                 |
| PROJECT NUMBER:                      | BRO 1449 (29)          |
| FILE NAME: /str5/01j168/sj168sup.dgn | PLOT DATE: 02-APR-2007 |
| PROJECT LEADER: W. SYMONDS           | DRAWN BY: J. GILMORE   |
| DESIGNED BY: J. REED                 | CHECKED BY: J. REED    |
| sj168scd.i                           | SHEET 50 OF 84         |