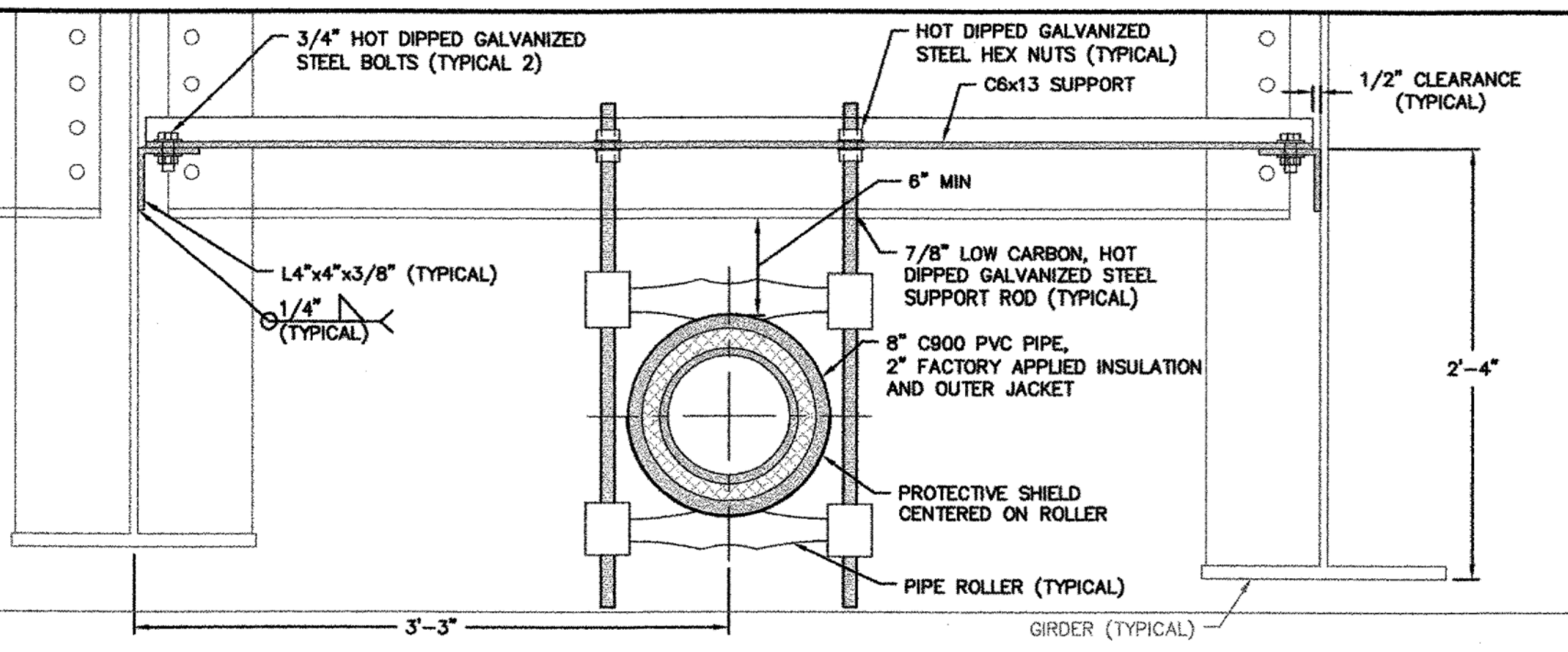


1 BRIDGE SECTION
SCALE: 1/2" = 1'-0"

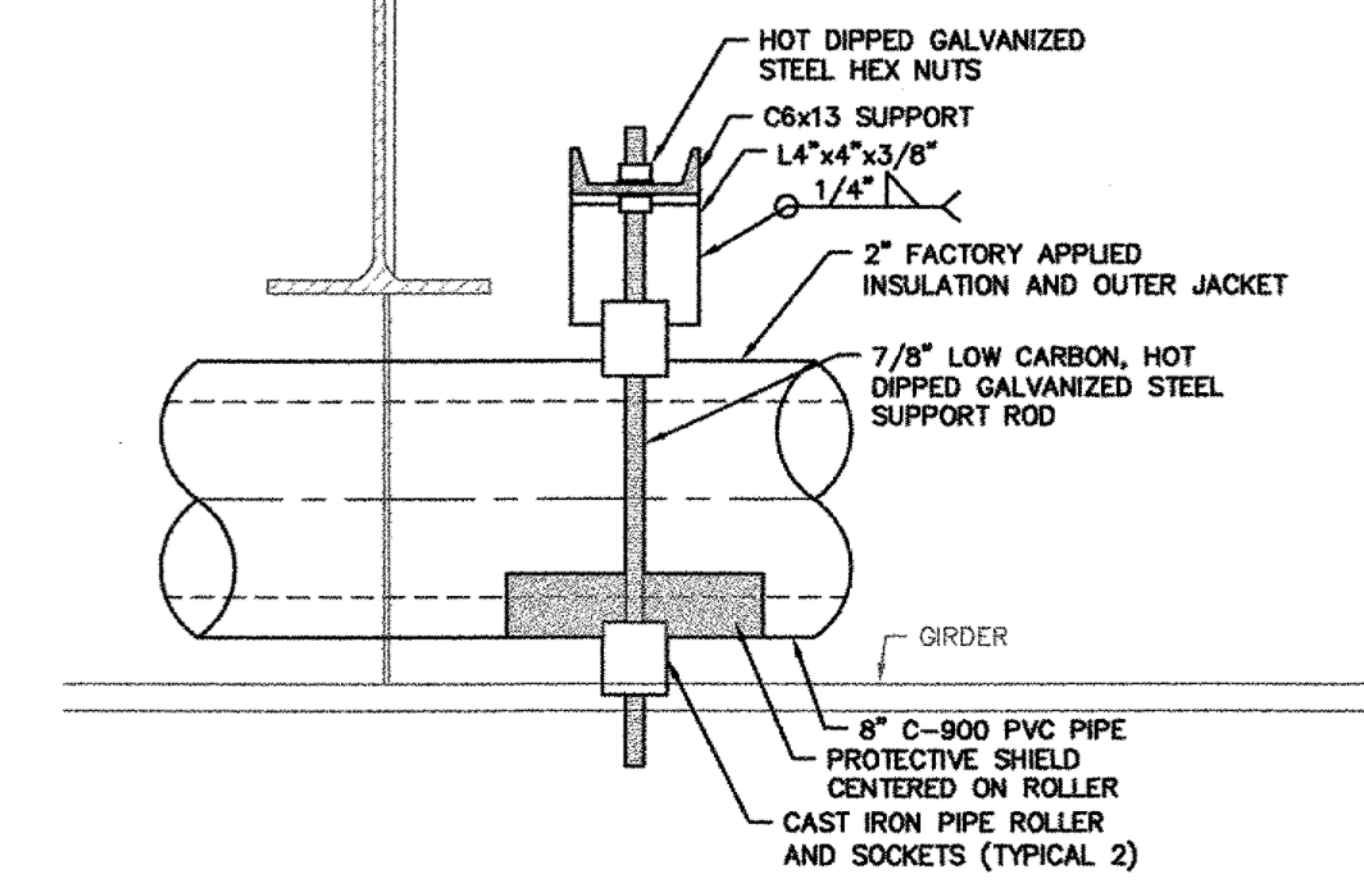
FORCE MAIN PIPE SUPPORT
SEE DETAIL ON THIS SHEET

WATER MAIN PIPE SUPPORT
SEE DETAIL ON THIS SHEET



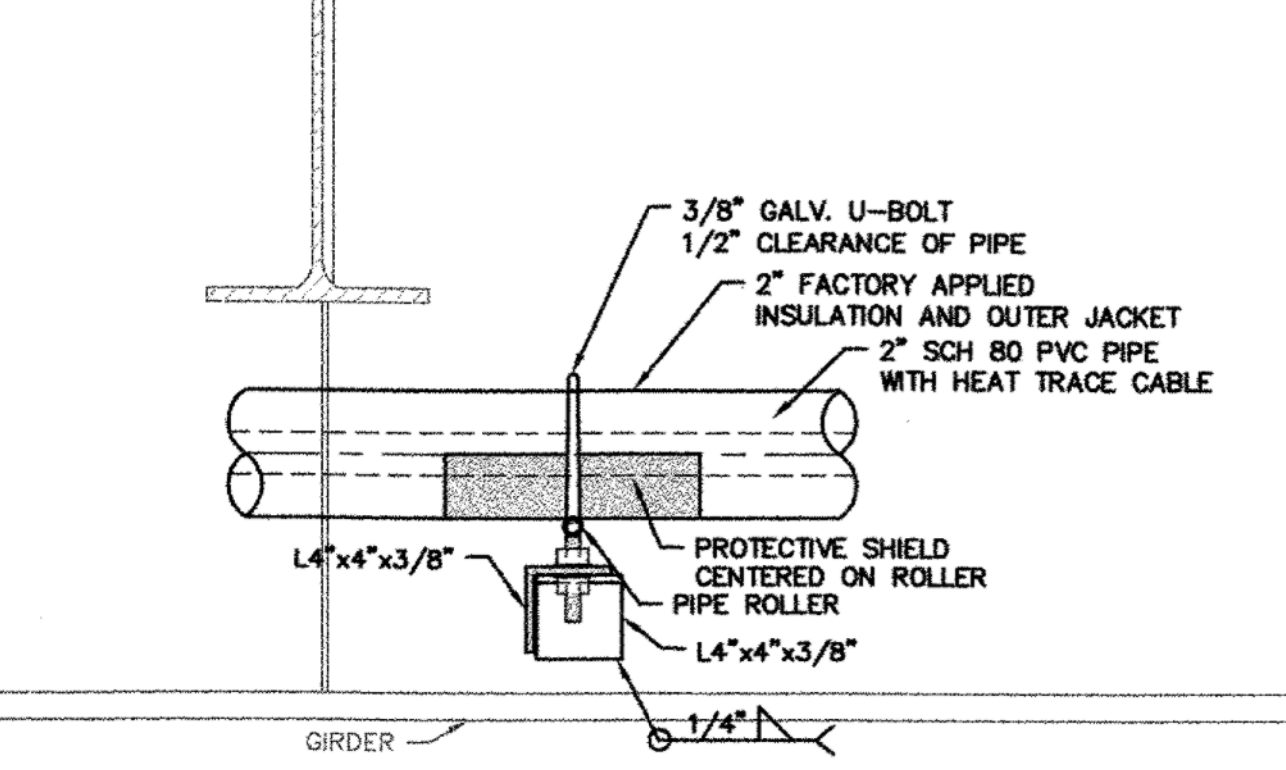
WATER MAIN PIPE SUPPORT DETAIL

SCALE: 1 1/2" = 1'-0"
NOTE:
1. SIZE DOUBLE ROLLER PIPE SUPPORT AND SHIELD FOR OUTSIDE DIAMETER OF FACTORY APPLIED INSULATION
2. SUPPORT SYSTEM SHALL BE A-36 GALVANIZED STEEL
3. ALL HOT DIPPED GALVANIZED STEEL SHALL MEET ASTM 123.



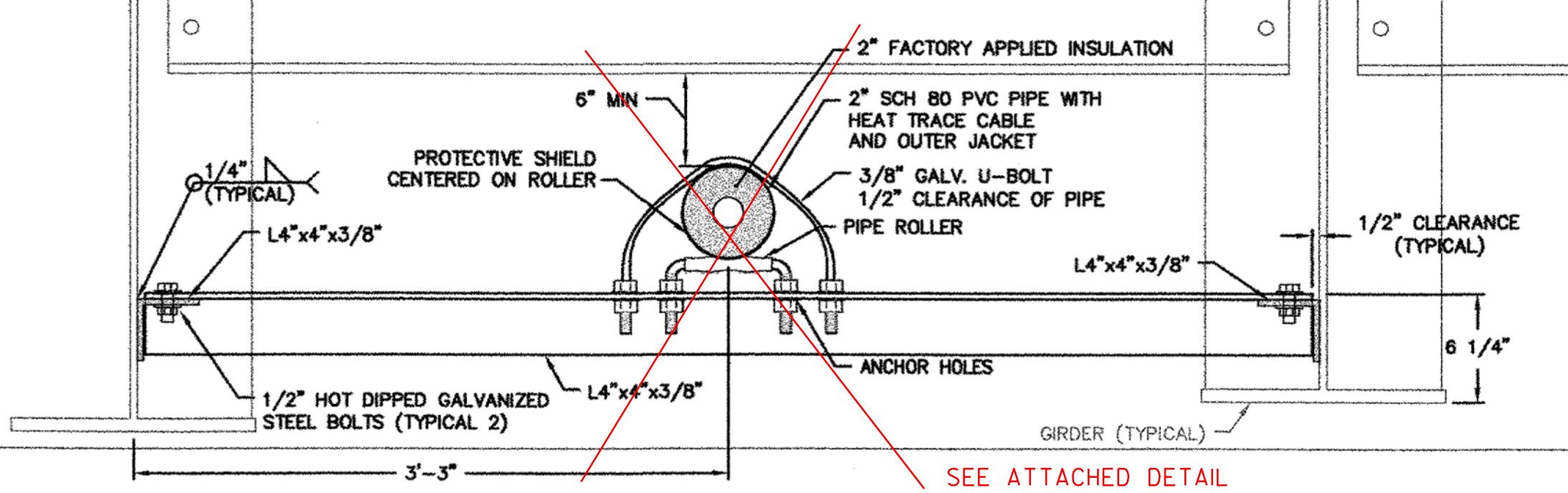
WATER MAIN PIPE SUPPORT DETAIL

SCALE: 1 1/2" = 1'-0"



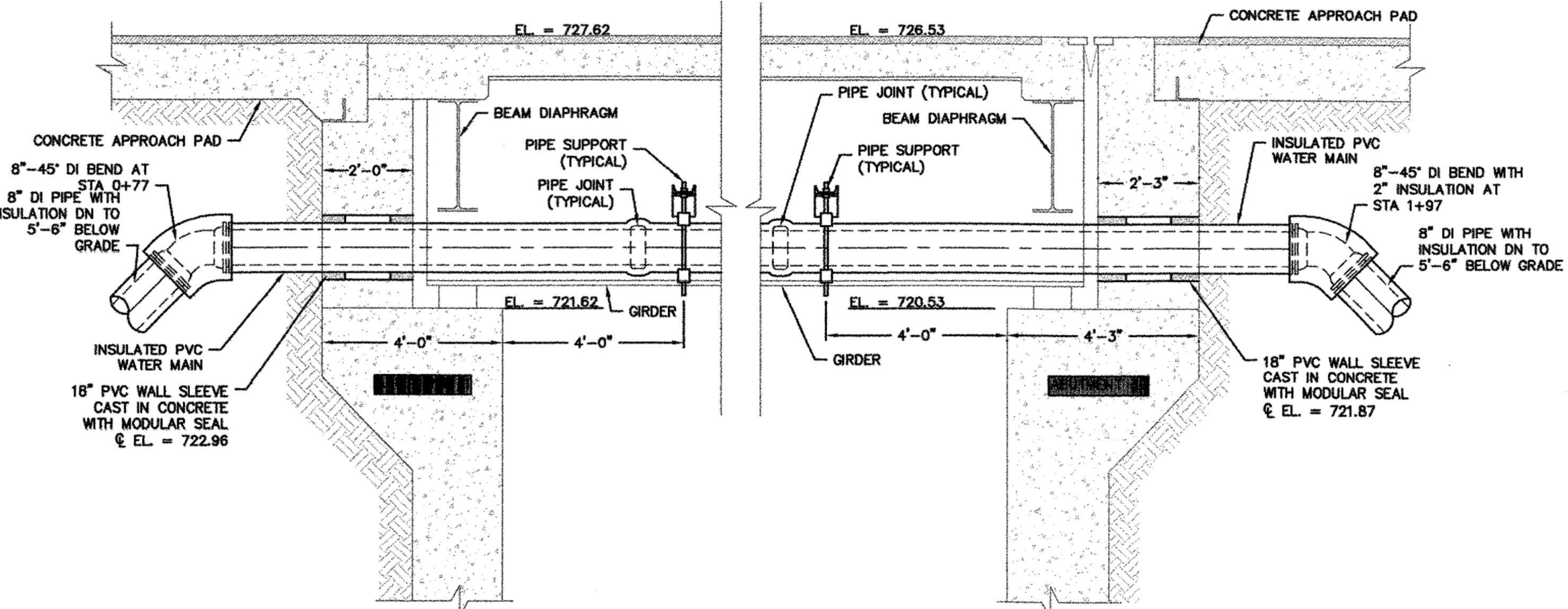
FORCE MAIN PIPE SUPPORT DETAIL

SCALE: 1 1/2" = 1'-0"



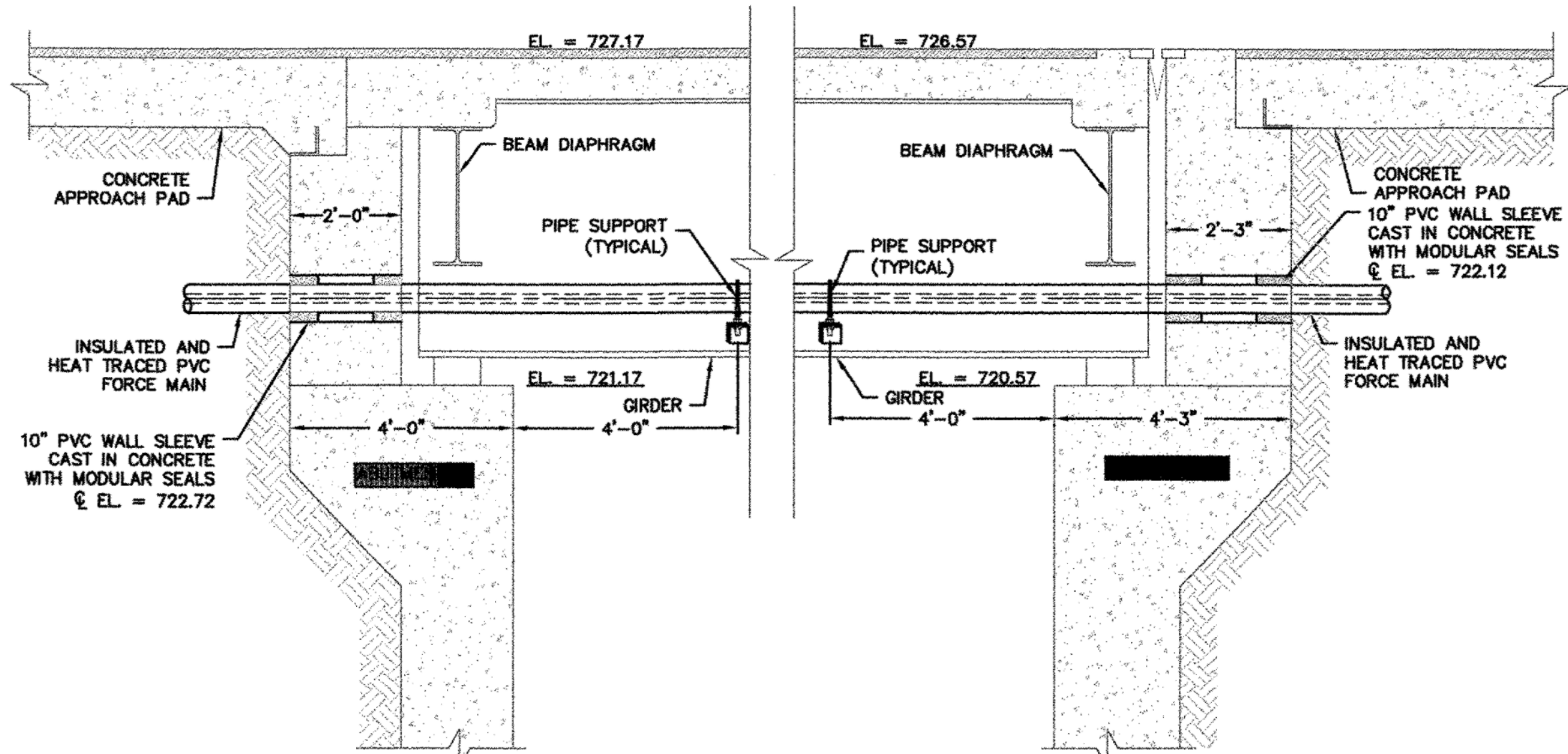
FORCE MAIN PIPE SUPPORT DETAIL

SCALE: 1 1/2" = 1'-0"
NOTE:
1. SIZE DOUBLE ROLLER PIPE SUPPORT AND SHIELD FOR OUTSIDE DIAMETER OF FACTORY APPLIED INSULATION
2. SUPPORT SYSTEM SHALL BE A-36 GALVANIZED STEEL
3. ALL HOT DIPPED GALVANIZED STEEL SHALL MEET ASTM 123.



WATER MAIN ABUTMENT PENETRATION DETAIL

SCALE: 1/2" = 1'-0"
NOTE:
1. INSTALL MODULAR SEALS ON INSIDE AND OUTSIDE FACE OF ABUTMENT.
2. PROTECT INSULATION FROM BEING CRUSHED DURING INSTALLATION OF MODULAR SEALS
3. VERIFY INSULATION OUTSIDE DIAMETER and WALL SLEEVE INSIDE DIAMETER FOR MODULAR SEAL
4. CAST HOLES IN NEW ABUTMENTS TAKING SPECIAL CARE TO ALIGN HOLES WITH SHOP DRILLED PIPE HANGER LOCATIONS.



FORCE MAIN ABUTMENT PENETRATION DETAIL

SCALE: 1/2" = 1'-0"
NOTE:
1. INSTALL MODULAR SEALS ON INSIDE AND OUTSIDE FACE OF ABUTMENT.
2. PROTECT INSULATION FROM BEING CRUSHED DURING INSTALLATION OF MODULAR SEALS
3. VERIFY INSULATION OUTSIDE DIAMETER and WALL SLEEVE INSIDE DIAMETER FOR MODULAR SEAL
4. CAST HOLES IN NEW ABUTMENTS TAKING SPECIAL CARE TO ALIGN HOLES WITH SHOP DRILLED PIPE HANGER LOCATIONS.

NO.	REVISIONS	DATE

BRIDGE CROSSING DETAILS

BRIDGE #61, TH #3

TOWN OF BARTON, VILLAGE OF ORLEANS, VERMONT

LEACH ENGINEERING CONSULTANTS, P.A.
36 EASTERN AVENUE, SUITE 6
ST. JOHNSBURY, VERMONT 05819
PHONE: (802) 748-9008 FAX: (802) 748-9023

DATE:	08/14/06
SCALE:	AS SHOWN

LEC-3

BARTON BRO 1449(29)

SHEET 46 OF 84

S:\Projects\030-LEC-3\030-LEC-3.dwg 8/29/2006 8:35 AM