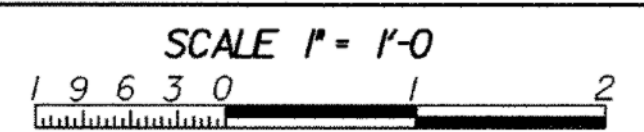
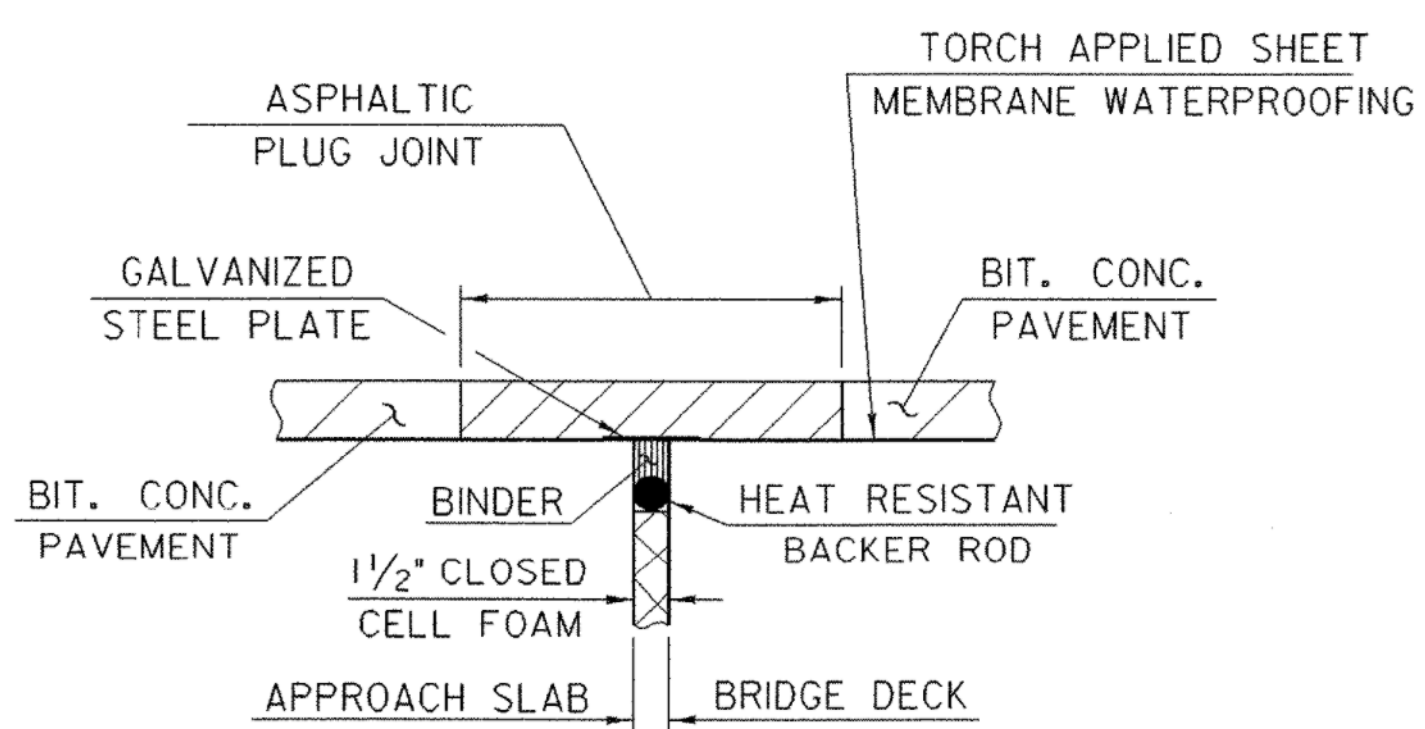
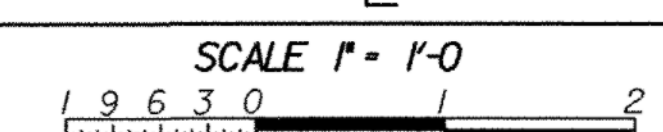


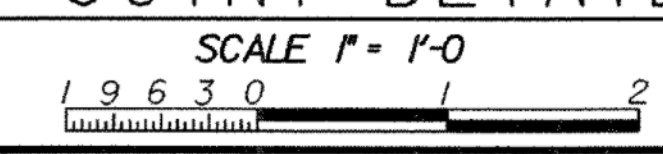
END DETAIL AT ABUT. 1 FIXED
NORMAL TO ϕ BEARING



END DETAIL AT ABUT. 2 EXPANSION
NORMAL TO ϕ BEARING



ASPHALTIC PLUG-TYPE
JOINT DETAIL



BRIDGE ENDS

PROJECT NAME:	BARTON	PLOT DATE:	02-APR-2007
PROJECT NUMBER:	BRO 1449 (29)	DRAWN BY:	J. GILMORE
FILE NAME:	/str5/01j168/sj168sup.dgn	DESIGNED BY:	J. REED
PROJECT LEADER:	W. SYMONDS	CHECKED BY:	J. REED
DESIGNED BY:	J. REED	SHEET	38 OF 84
sj168bre.i			