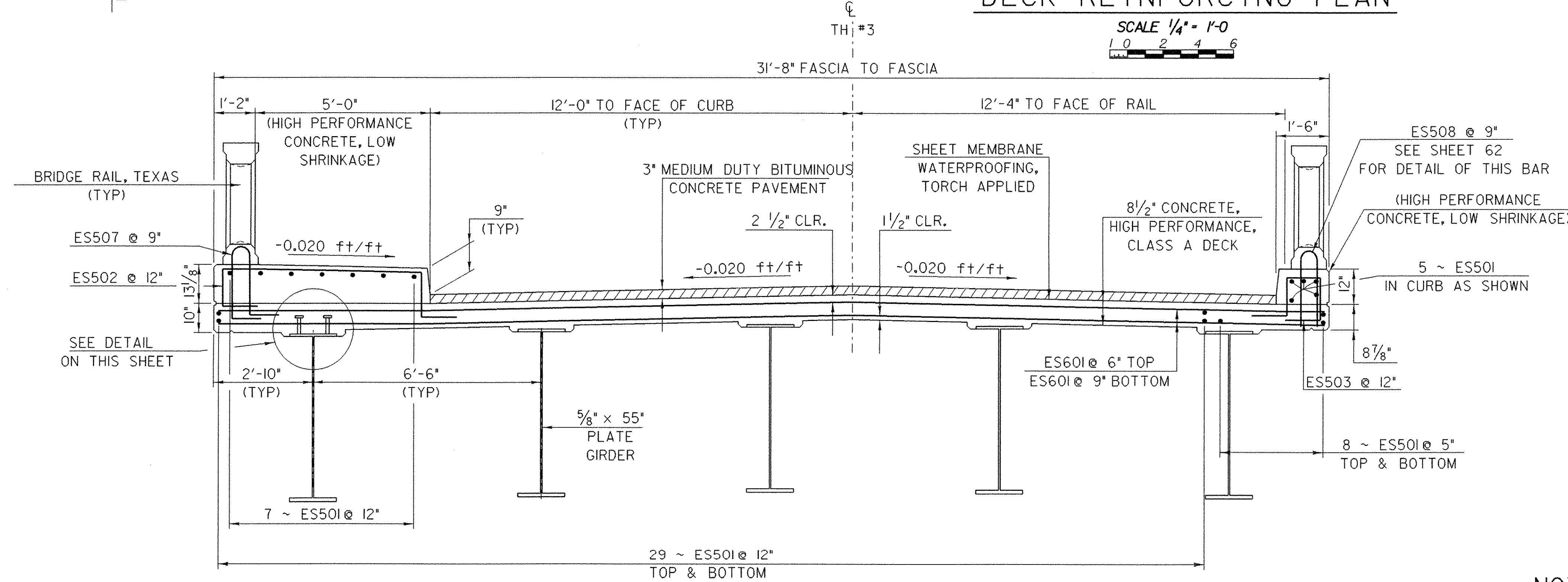


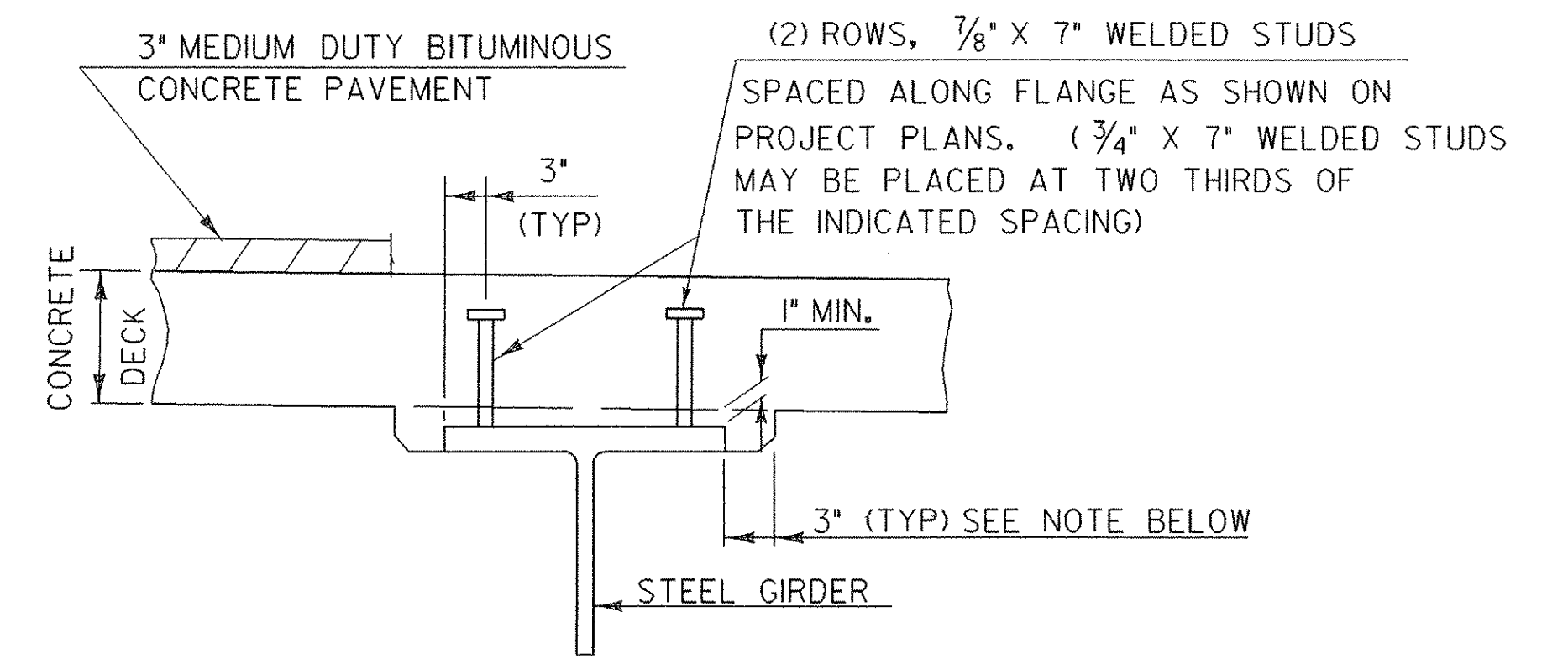
DECK REINFORCING PLAN

SCALE 1/4" = 1'-0"
1 0 2 4 6



TYPICAL BRIDGE SECTION

SCALE 1/2" = 1'-0"
1 0 1 2



NOTE:
THE 3" HORIZONTAL SECTION MAY BE ELIMINATED FOR FORMING SYSTEMS DESIGNED FOR THE CONSTRUCTION OF VERTICAL HAUNCHES. SYSTEMS SHALL BE SUBMITTED FOR APPROVAL TO THE STRUCTURES ENGINEER. ALL VOIDS SHALL BE FILLED WITH MORTAR, TYPE IV OR POLYURETHANE JOINT SEALER.

HAUNCH AND SHEAR CONNECTOR DETAILS

NTS

DECK DETAILS

NOTE:
NF = NEAR FACE
FF = FAR FACE
EF = EACH FACE
▲ = CUT TO FIT IN FIELD
3" CLEAR UNLESS OTHERWISE SPECIFIED ON THE PLANS

PROJECT NAME:	BARTON	FILE NAME: /str5/01j168/sj168sup.dgn	PLOT DATE: 02-APR-2007
PROJECT NUMBER:	BRO 1449 (29)	PROJECT LEADER: W. SYMONDS	DRAWN BY: J. GILMORE
		DESIGNED BY: J. REED	CHECKED BY: J. REED
		sj168dck.i	SHEET 37 OF 84