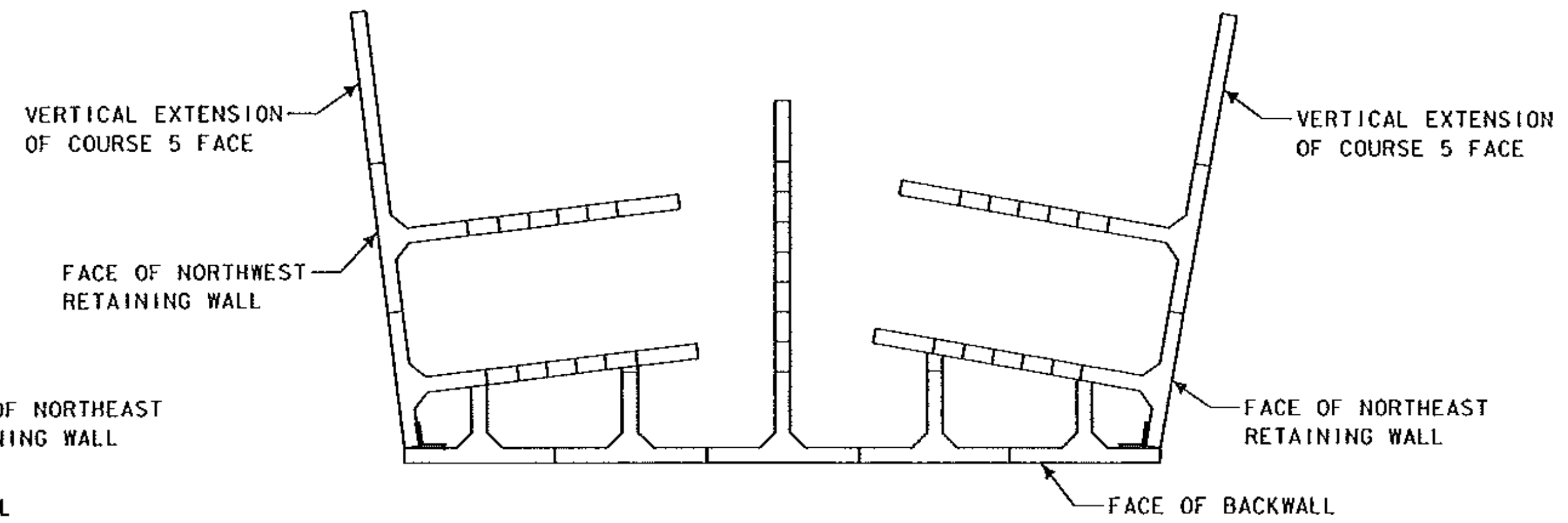
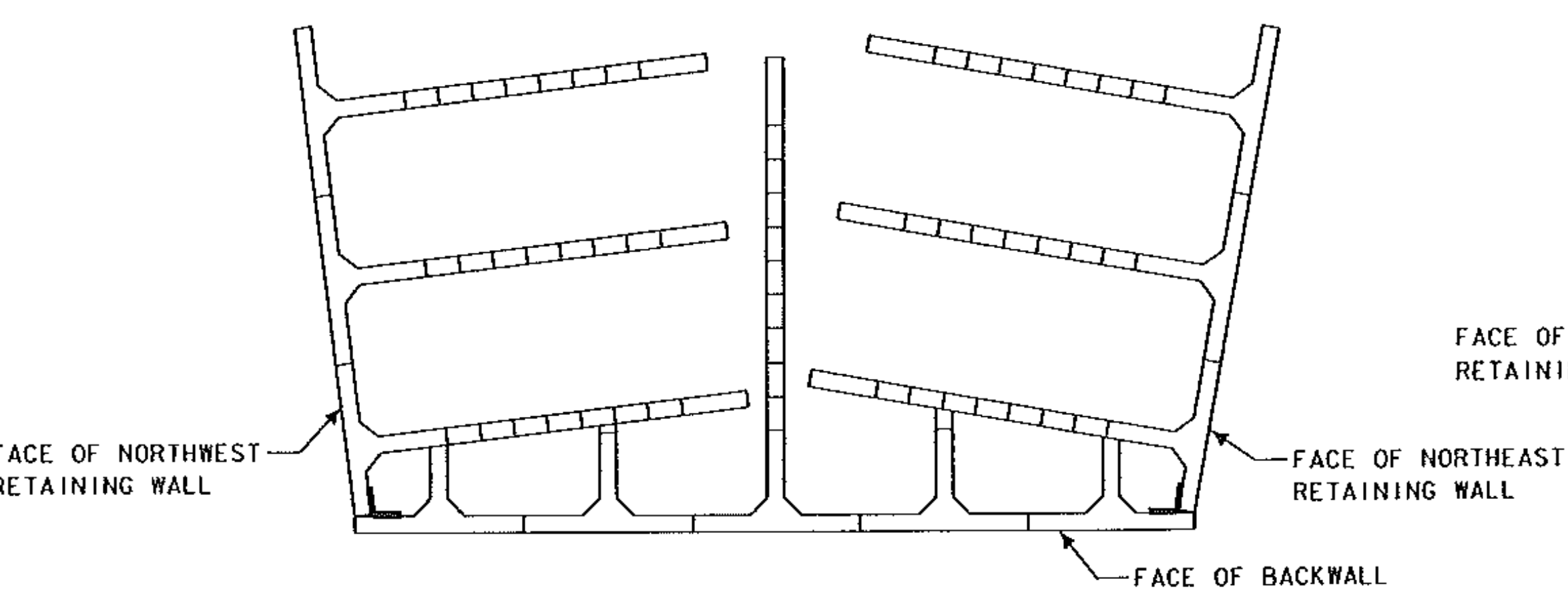


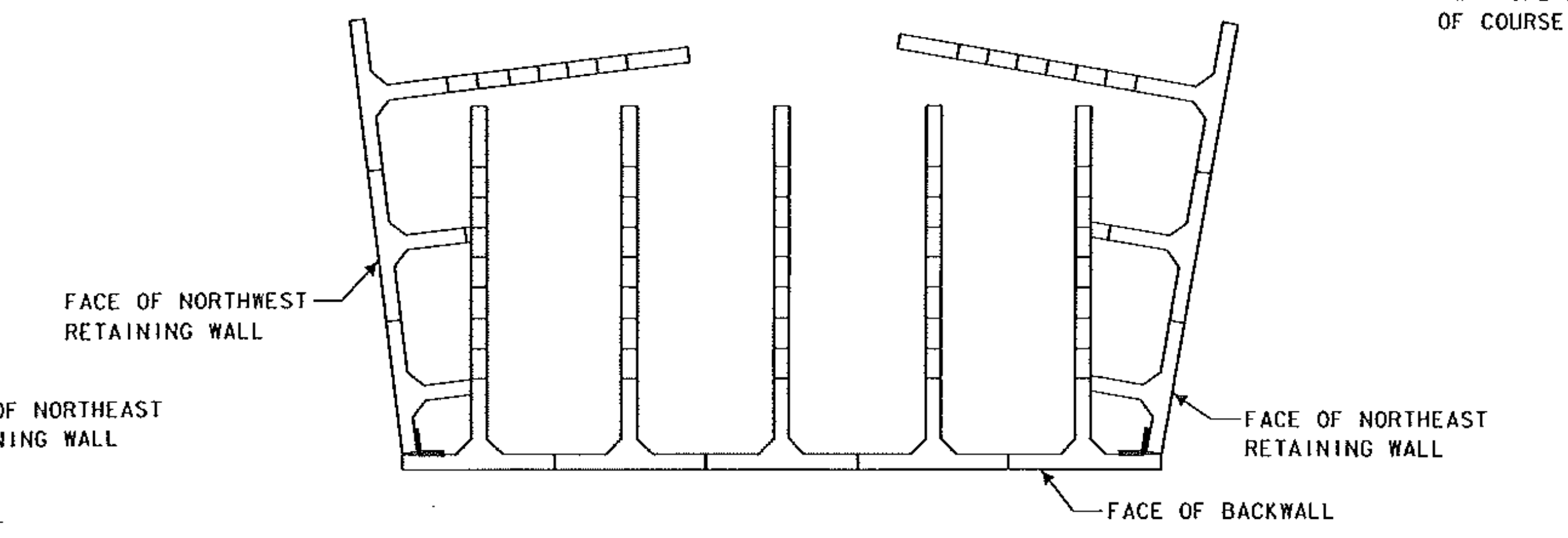
**PROPOSED T-WALL**  
**COURSE 3**  
SCALE: 1/4" = 1'-0"



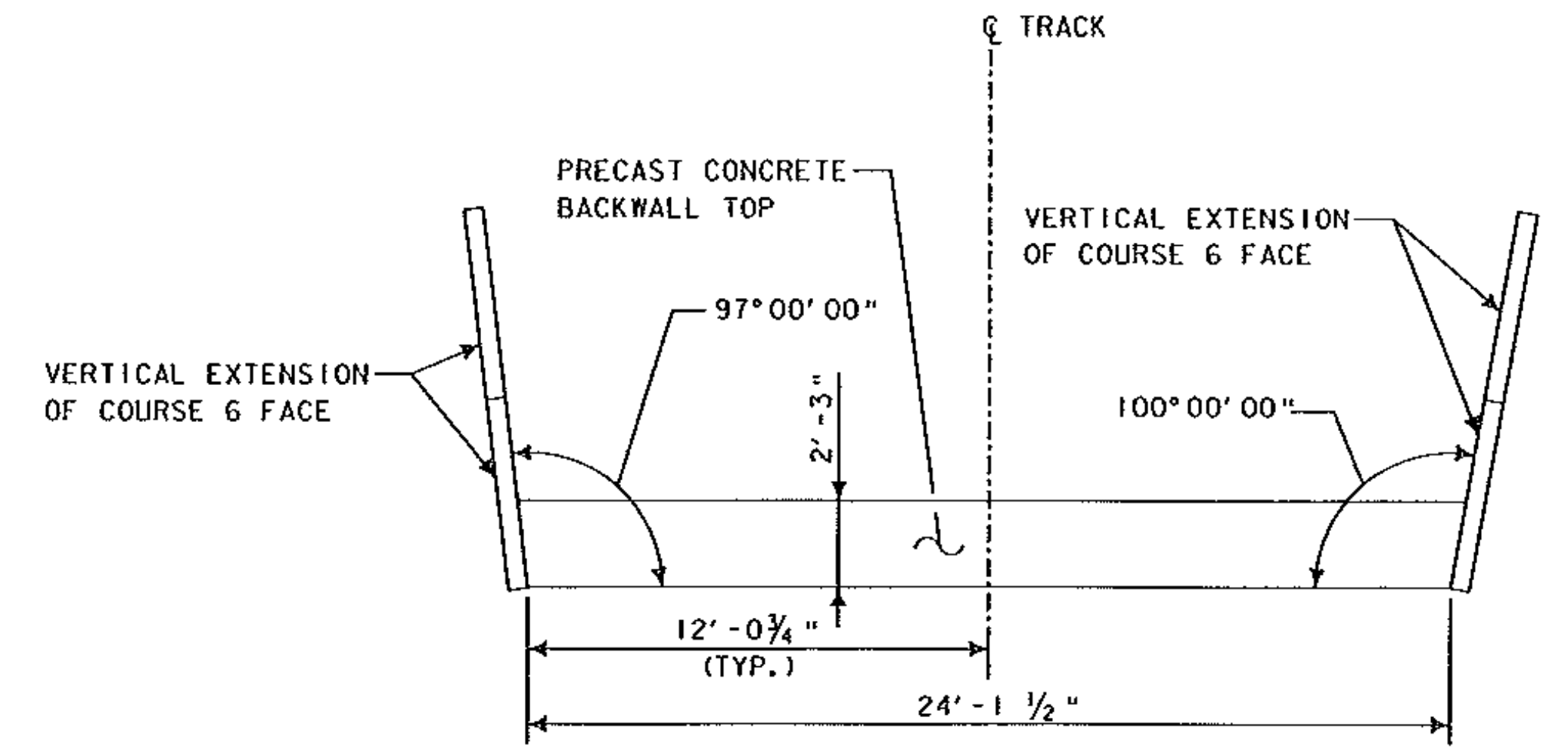
**PROPOSED T-WALL**  
**COURSE 6**  
SCALE: 1/4" = 1'-0"



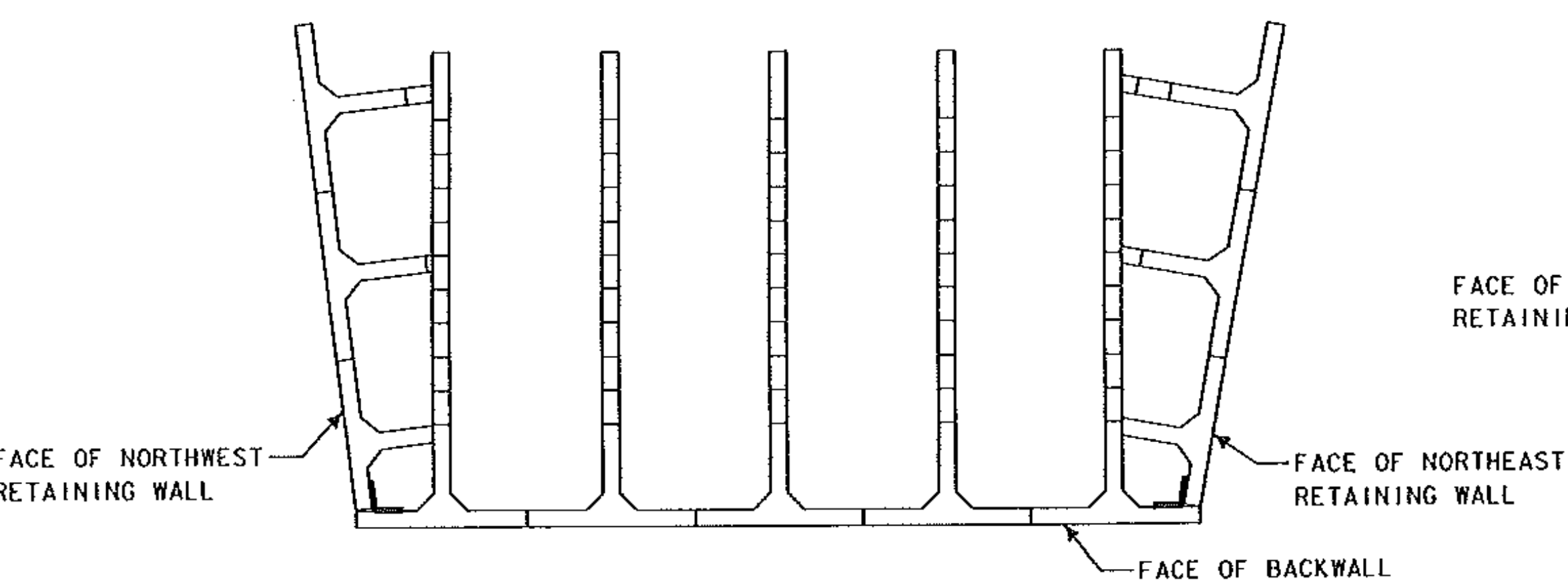
**PROPOSED T-WALL**  
**COURSE 2**  
SCALE: 1/4" = 1'-0"



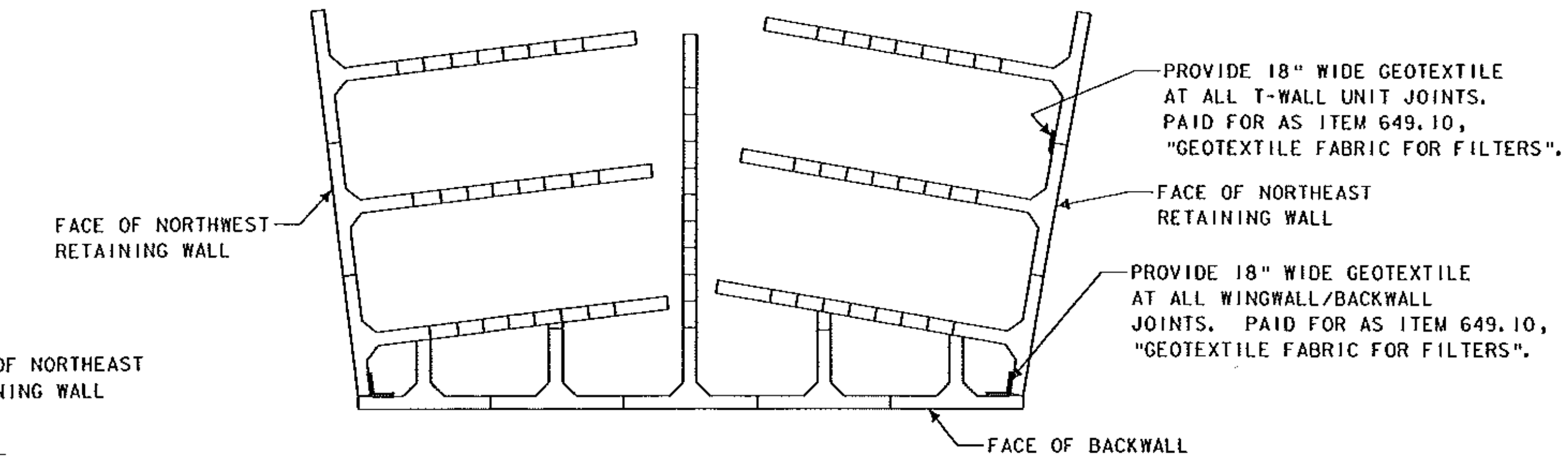
**PROPOSED T-WALL**  
**COURSE 5**  
SCALE: 1/4" = 1'-0"



**PROPOSED T-WALL**  
**COURSE 7**  
SCALE: 1/4" = 1'-0"



**PROPOSED T-WALL**  
**COURSE 1**  
SCALE: 1/4" = 1'-0"



**PROPOSED T-WALL**  
**COURSE 4**  
SCALE: 1/4" = 1'-0"

FOR CONCEPTUAL PURPOSES ONLY



EDWARDS & KELCEY, INC.

<b>STATE OF VERMONT</b> <b>AGENCY OF TRANSPORTATION</b>	
Town Of <b>ROCKINGHAM</b>	Bridge No. <b>107</b>
Highway No. <b>Green Mountain Railroad</b>	Log Sta. _____ Surv. Sta. _____
<b>BRIDGE OVER WILLIAMS RIVER</b>	
<b>BACKWALL LAYOUT PLAN</b>	
Designed By <b>J. Wilson</b>	Drawn By <b>S. Gunn</b>
Checked By <b>S. Halloran</b>	Bridge Design Supervisor _____ Date <b>6/02</b>
PROJECT <b>ROCKINGHAM</b>	PROJECT NO. <b>RAIL-04-9044 C/7 PHASE II</b>
I.G.C. Info.	
Bridge Sheet No. _____	Sheet <b>9</b> of <b>11</b>