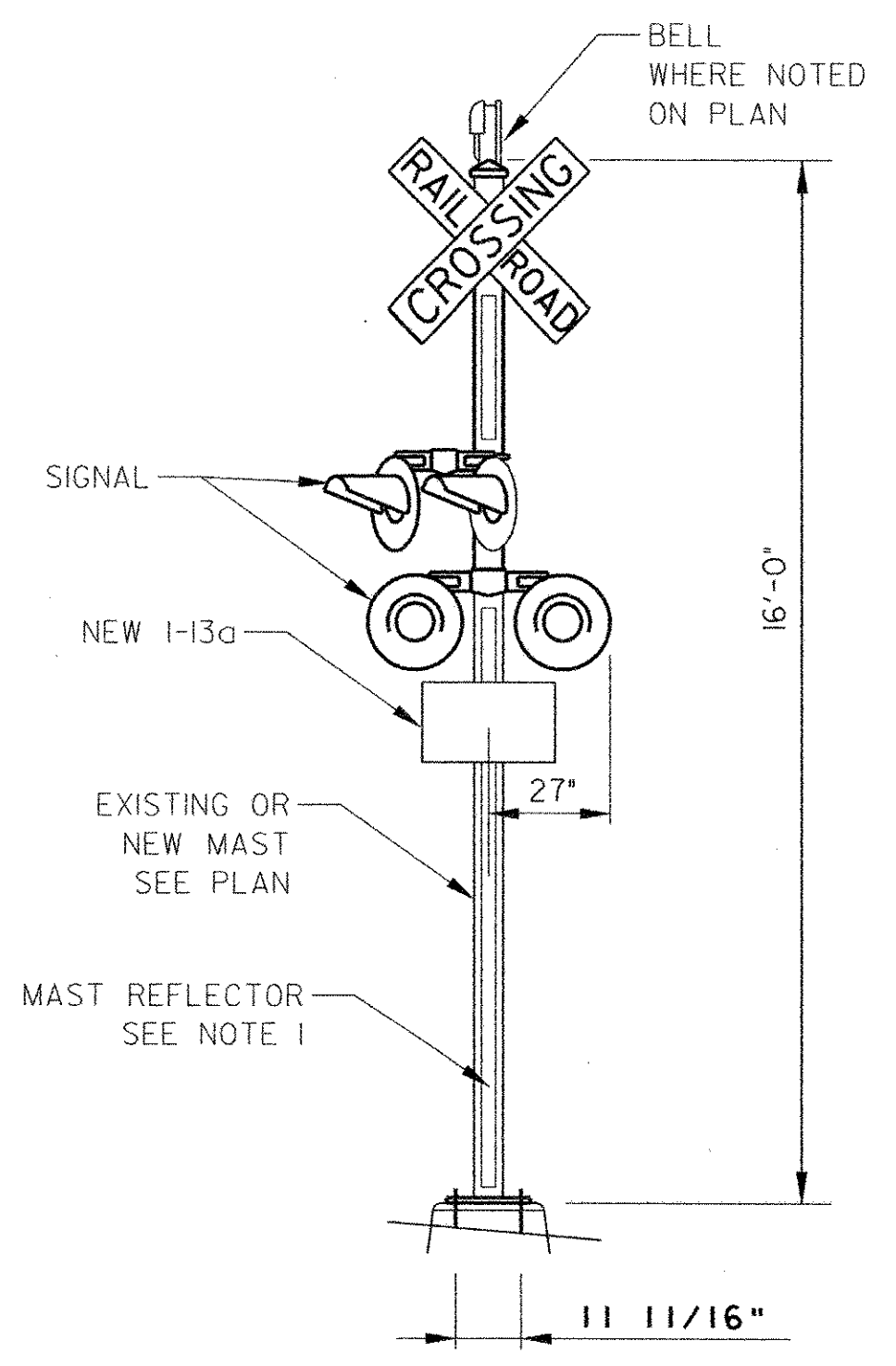


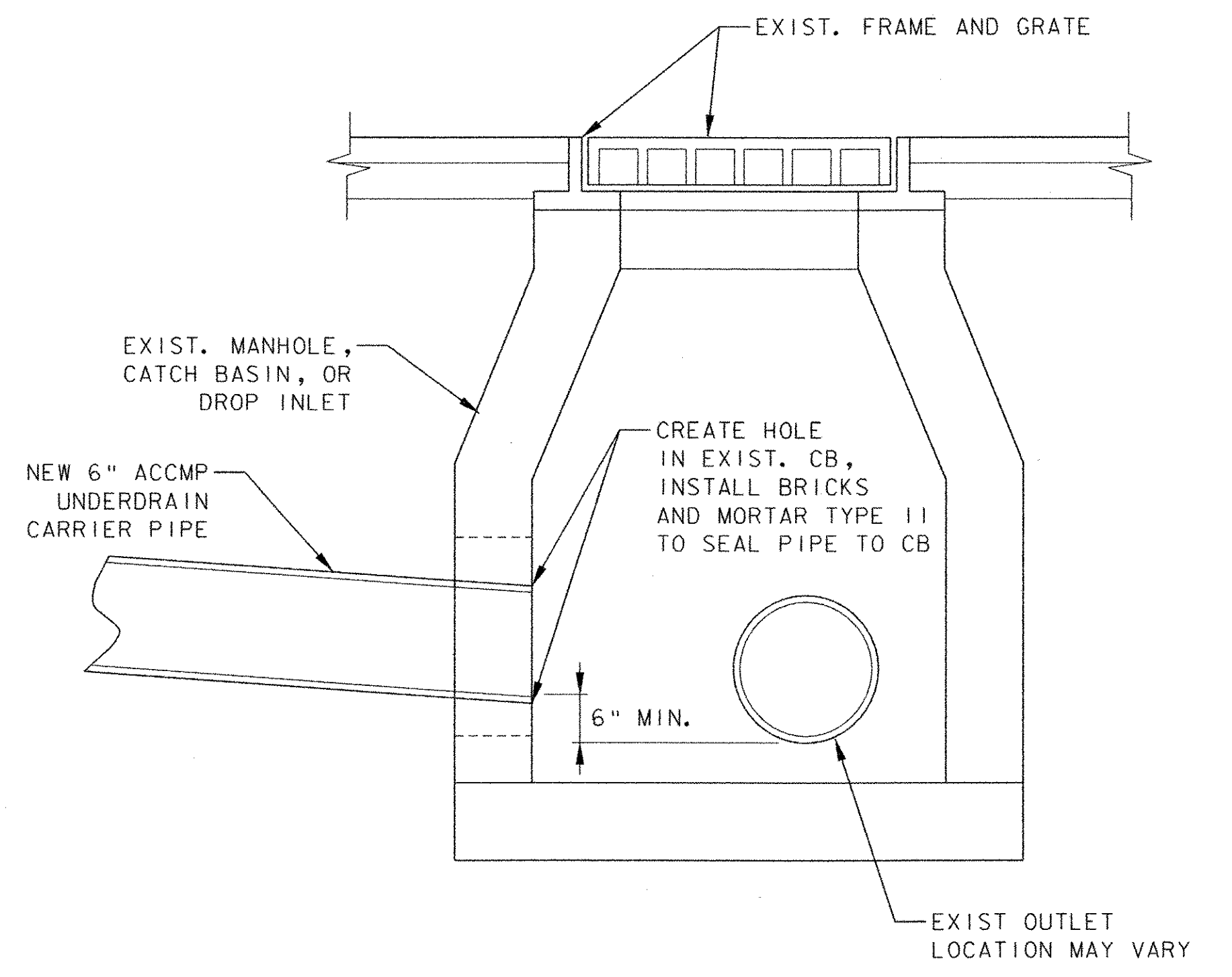
TYPICAL RAILROAD CANTILEVER SIGNAL DETAIL
NTS



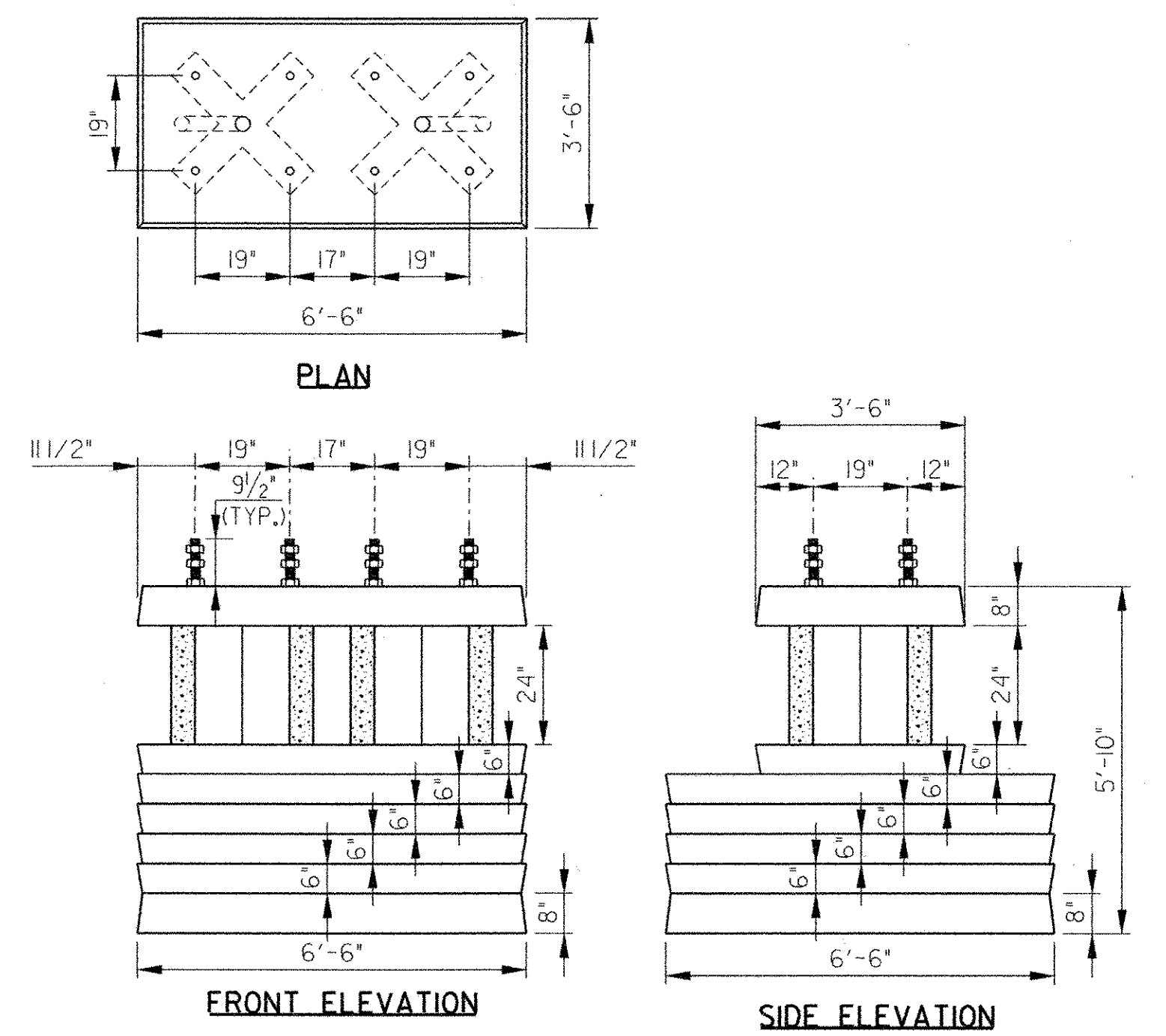
TYPICAL RAILROAD SIGNAL DETAIL
NTS

NOTES:

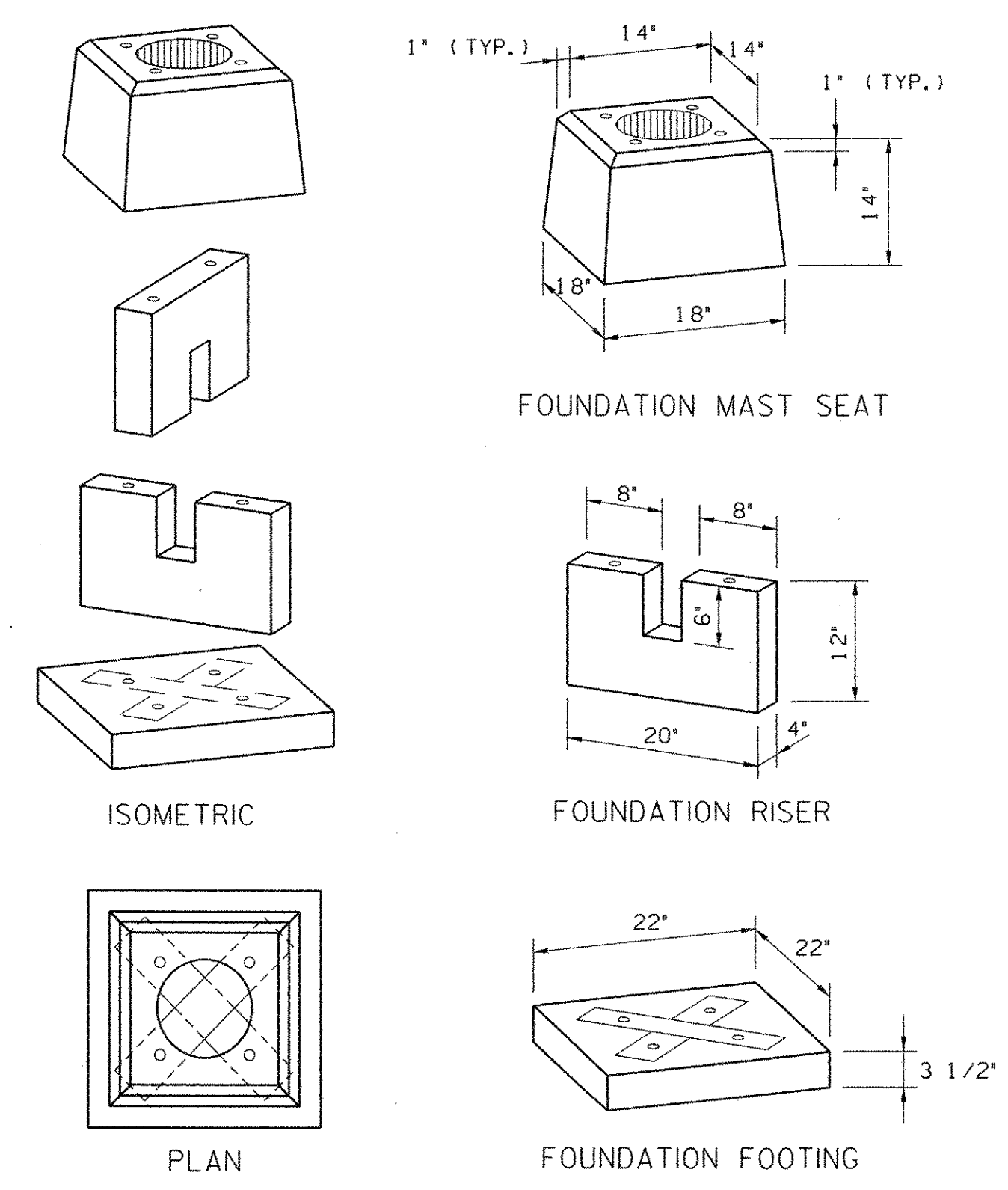
1. A STRIP OF ASTM TYPE III OR TYPE V RETROREFLECTIVE WHITE MATERIAL NOT LESS THAN 2 INCHES IN WIDTH, SHALL BE USED ON EACH SUPPORT AT HIGHWAY-RAIL GRADE CROSSING FOR THE FULL LENGTH OF THE FRONT AND BACK OF THE SUPPORT FROM THE CROSSBUCK SIGN OR NUMBER OF TRACKS SIGN TO NEAR GROUND LEVEL.
2. PLACE A MINIMUM OF (3) I-13a SIGNS AT EACH CROSSING. ONE ON EACH SIDE OF THE CROSSING ON SIGNAL MASTS AND ONE ON THE SIGNAL CASE OR HOUSE.
3. FLASHING LIGHT SIGNAL EQUIPMENT SHALL BE 12" LED FLASHING LIGHT UNITS.



UNDERDRAIN CONNECTION DETAIL
NTS



TYPICAL DOUBLE MAST FOUNDATION DETAIL
NTS



TYPICAL FOUNDATION DETAIL
NTS

PROJECT NAME:	STATEWIDE RAILROAD X-ING - SOUTHERN	
PROJECT NUMBER:	STP 2031(10) TH#3; STP 1200(4) TH#1	STP 2031(12) TH#4; STP 0170(12) TH#9
	STP 2031(11) TH#7	
FILE NAME:	Z01G58RRDETAILS.dgn	PLOT DATE: 08-MAY-2006
PROJECT LEADER:	D. BUA	DRAWN BY: TSC
DESIGNED BY:	ASL	CHECKED BY: BUA
		SHEET 18 OF 21

P701030064