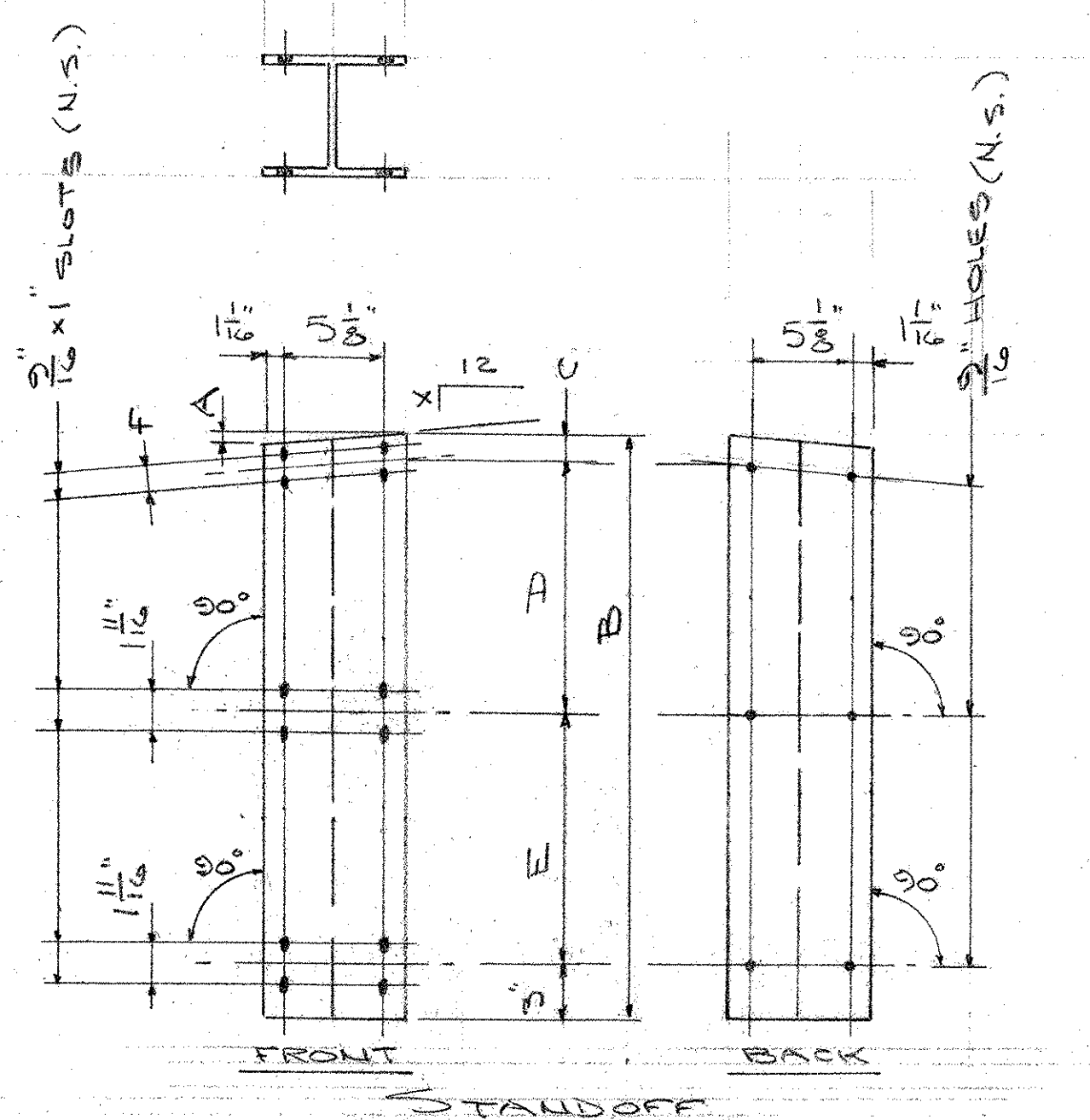


APPROACH POST

QTY	MK	X	A	B	C	D	E
1	P11	1 1/8"	1 1/8"	6'-6"	1 1/8"	11 7/16"	1'-0 9/16"
1	P12	1 1/8"	1 1/8"	6'-6"	1 1/8"	9 3/4"	11 7/16"
1	P13	1 1/8"	1 1/8"	6'-6"	1 1/8"	8 1/8"	11 7/16"
1	P14	1 1/8"	1 1/8"	6'-6"	1 1/8"	6 1/2"	10 9/16"
1	P15	1 1/8"	1 1/8"	6'-0"	2"	0	9 3/8"
1	P16	1 1/8"	1 1/8"	6'-0"	2"	0	8 1/2"
1	P17	1 1/8"	1 1/8"	6'-0"	2"	0	7 1/8"
1	P31	1 1/8"	1 1/8"	6'-6"	1 1/8"	11 7/16"	1'-5 3/8"
1	P32	1 1/8"	1 1/8"	6'-6"	1 1/8"	9 3/4"	1'-3 3/8"
1	P33	1 1/8"	1 1/8"	6'-6"	1 1/8"	8 1/8"	1'-2 9/16"
1	P34	1 1/8"	1 1/8"	6'-6"	1 1/8"	6 1/2"	1'-1 1/2"
1	P35	1 1/8"	1 1/8"	6'-0"	2"	0	11 7/16"
1	P36	1 1/8"	1 1/8"	6'-0"	2"	0	9 3/8"
1	P37	1 1/8"	1 1/8"	6'-0"	2"	0	8 1/2"
31	P8	0	0	6'-0"	2"	0	8"

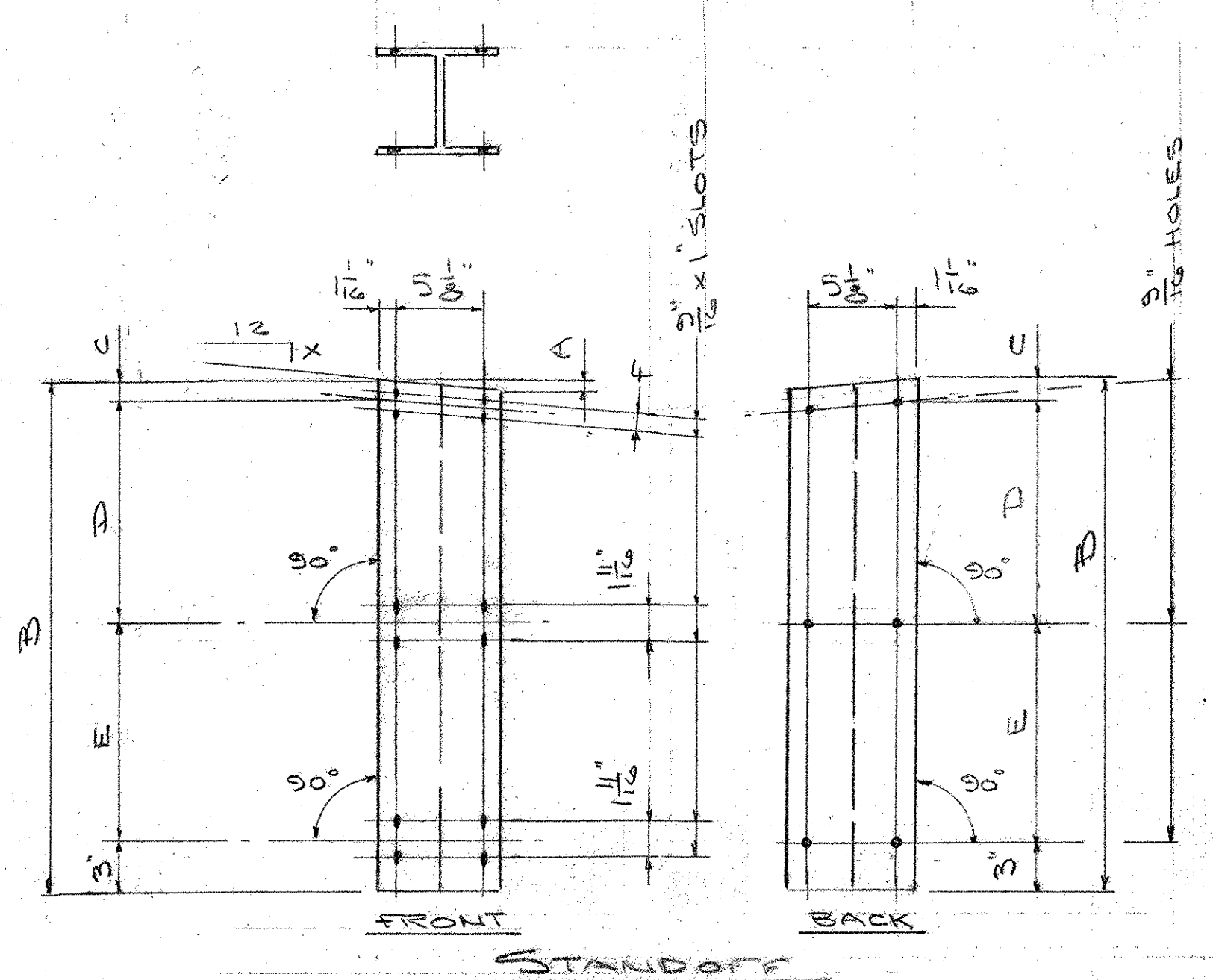
APPROACH POST

QTY	MK	X	A	B	C	D	E
1	P21	1 1/8"	1 1/8"	6'-6"	1 1/8"	11 7/16"	1'-0 9/16"
1	P22	1 1/8"	1 1/8"	6'-6"	1 1/8"	9 3/4"	11 7/16"
1	P23	1 1/8"	1 1/8"	6'-6"	1 1/8"	8 1/8"	11 7/16"
1	P24	1 1/8"	1 1/8"	6'-6"	1 1/8"	6 1/2"	10 9/16"
1	P25	1 1/8"	1 1/8"	6'-0"	2"	0	9 3/8"
1	P26	1 1/8"	1 1/8"	6'-0"	2"	0	8 1/2"
1	AP1	1 1/8"	1 1/8"	6'-6"	1 1/8"	11 7/16"	1'-5 3/8"
1	AP2	1 1/8"	1 1/8"	6'-6"	1 1/8"	9 3/4"	1'-3 3/8"
1	AP3	1 1/8"	1 1/8"	6'-6"	1 1/8"	8 1/8"	1'-2 9/16"
1	AP4	1 1/8"	1 1/8"	6'-6"	1 1/8"	6 1/2"	1'-1 1/2"
1	P27	1 1/8"	1 1/8"	6'-0"	2"	0	7 1/8"



STANDOFF

QTY	MK	X	A	B	C	D	E	F
1	T11	1 1/8"	1 1/8"	2'-4 1/8"	1 1/8"	11 7/16"	1'-0 9/16"	1'-1 1/2"
1	T12	1 1/8"	1 1/8"	2'-2 1/8"	1 1/8"	10 1/8"	11 7/16"	1'-1 1/2"
1	T13	1 1/8"	1 1/8"	2'-0 1/8"	1 1/8"	8 1/8"	11 7/16"	1'-1 1/2"
1	T14	1 1/8"	1 1/8"	1'-9 1/8"	1 1/8"	6 1/8"	10 9/16"	1'-1 1/2"
1	T15	1 1/8"	1 1/8"	1'-2 1/8"	2"	0	9 3/8"	1'-1 1/2"
1	T16	1 1/8"	1 1/8"	1'-1 1/8"	2"	0	8 1/2"	1'-1 1/2"
1	T17	1 1/8"	1 1/8"	1'-1 1/8"	2"	0	8 1/2"	1'-1 1/2"
1	T31	1 1/8"	1 1/8"	2'-9 1/8"	1 1/8"	11 7/16"	1'-5 3/8"	1'-1 1/2"
1	T32	1 1/8"	1 1/8"	2'-6 1/8"	1 1/8"	10 1/8"	1'-3 3/8"	1'-1 1/2"
1	T33	1 1/8"	1 1/8"	2'-3 1/8"	1 1/8"	8 1/8"	1'-2 9/16"	1'-1 1/2"
1	T34	1 1/8"	1 1/8"	2'-0 1/8"	1 1/8"	6 1/8"	1'-1 1/2"	1'-1 1/2"
1	T35	1 1/8"	1 1/8"	1'-2 1/8"	2"	0	11 7/16"	1'-1 1/2"
1	T36	1 1/8"	1 1/8"	1'-2 1/8"	2"	0	10 9/16"	1'-1 1/2"
1	T37	1 1/8"	1 1/8"	1'-1 1/8"	2"	0	8 1/2"	1'-1 1/2"
31	T8	0	0	1'-1 1/8"	2"	0	8"	1'-1 1/2"



STANDOFF

QTY	MK	X	A	B	C	D	E	F
1	T21	1 1/8"	1 1/8"	2'-4 1/8"	1 1/8"	11 7/16"	1'-0 9/16"	1'-1 1/2"
1	T22	1 1/8"	1 1/8"	2'-2 1/8"	1 1/8"	10 1/8"	11 7/16"	1'-1 1/2"
1	T23	1 1/8"	1 1/8"	2'-0 1/8"	1 1/8"	8 1/8"	11 7/16"	1'-1 1/2"
1	T24	1 1/8"	1 1/8"	1'-9 1/8"	1 1/8"	6 1/8"	10 9/16"	1'-1 1/2"
1	T25	1 1/8"	1 1/8"	1'-2 1/8"	2"	0	9 3/8"	1'-1 1/2"
1	T26	1 1/8"	1 1/8"	1'-1 1/8"	2"	0	8 1/2"	1'-1 1/2"
1	T27	1 1/8"	1 1/8"	1'-1 1/8"	2"	0	8 1/2"	1'-1 1/2"
1	TP1	1 1/8"	1 1/8"	2'-9 1/8"	1 1/8"	11 7/16"	1'-5 3/8"	1'-1 1/2"
1	TP2	1 1/8"	1 1/8"	2'-6 1/8"	1 1/8"	10 1/8"	1'-3 3/8"	1'-1 1/2"
1	TP3	1 1/8"	1 1/8"	2'-3 1/8"	1 1/8"	8 1/8"	1'-2 9/16"	1'-1 1/2"
1	TP4	1 1/8"	1 1/8"	2'-0 1/8"	1 1/8"	6 1/8"	1'-1 1/2"	1'-1 1/2"

NO SHOP DRAWINGS ARE REVISED UNLESS NOTED OTHERWISE  
 NO EXCEPTION TAKEN  
 REVISE AS NOTED RESUBMISSION NOT REQUIRED  
 REVISE AS NOTED RESUBMISSION NOT REQUIRED  
 REVISE AS NOTED RESUBMISSION NOT REQUIRED  
 DATE: 3/26/07  
 SIGNATURE: *M. Del Vecchio*  
 REVIEW BY: STANTEC  
 DESIGN CONTRACTOR IS RESPONSIBLE FOR DIMENSIONS, FABRICATION AND CONSTRUCTION METHODS. COORDINATION OF SUB-TASKS, DETAIL DESIGN OF COMPONENTS AND ERRORS OR OMISSIONS ON SHOP DRAWINGS.

<b>RECEIVED</b> CRD BY: _____ ON: _____ <b>FEB 24 2007</b> RESUBMIT BY: _____ APPROVED BY: _____ DATE: _____		<b>AUCIELLO IRON WORKS INC</b> 560 MAIN ST. HUDSON, MA (978) 568-8382 VT. AGENCY OF TRANSPORTATION HUNTINGTON PROJ. BRD 1445 (23) BRIDGE # 42 EAST ST. OVER HUNTINGTON RIVER AL APPROACH RAILING SURFACE PREP: NONE FINISH: MILL FINISH FOR A.D. ROSSI CORP. DR: WM 02-1A-07 DWG. NO. CHK: 3 02-17-07 BR-2398 JOB NO. 0310002-1001 SHEET 7 OF 8	
1	2-22-07	FOR APPROVAL	BY: _____
ISSUE	DATE	DESCRIPTION	BY