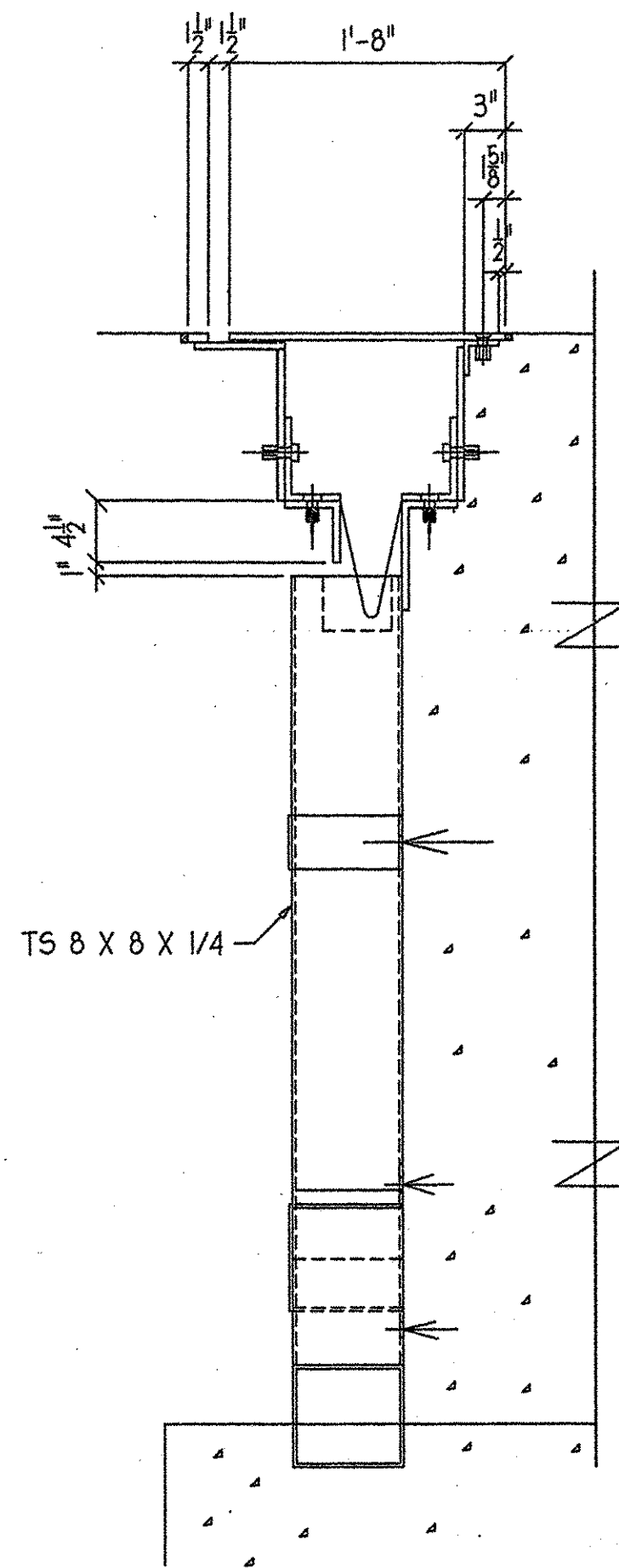
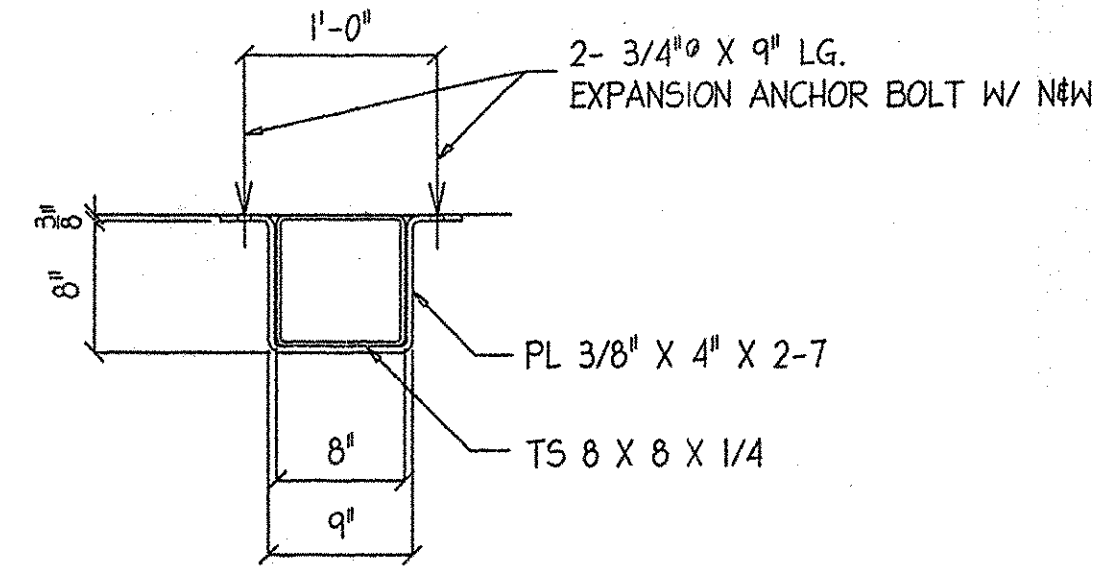


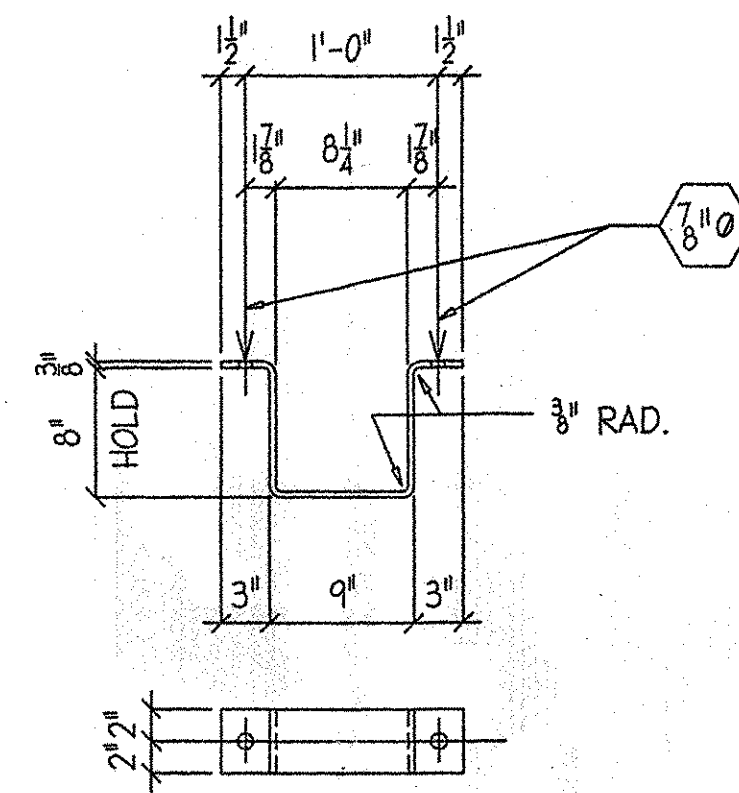
DOWNSPOUT FRONT ELEVATION



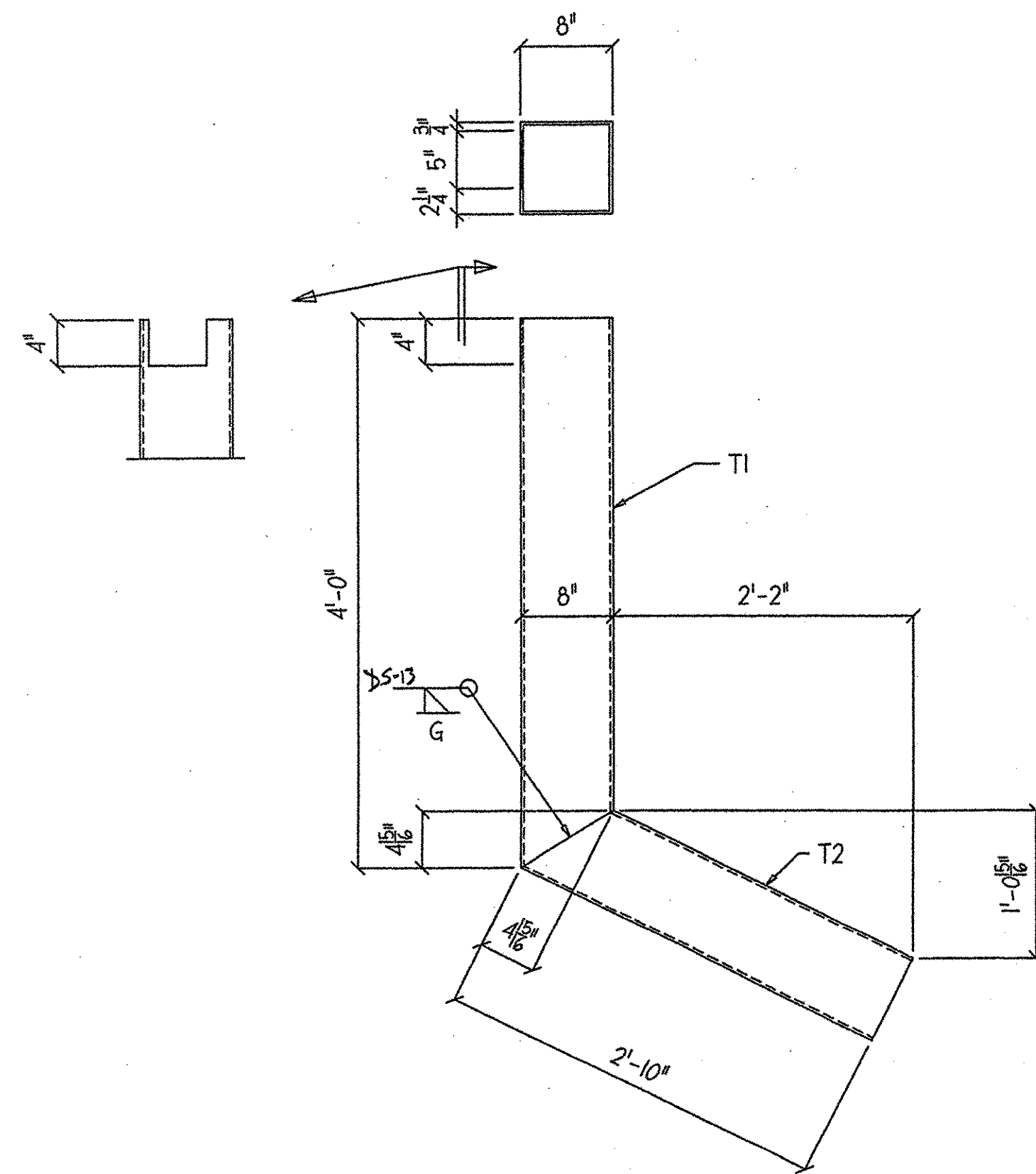
SECTION A-A



DOWNSPOUT BRACKET



2 REQ - DBI
BENT PL 3/8" X 4" X 2-6 1/2



ONE REQ - DSP-1

DOWNSPOUT NOTES

- 1.) HOLLOW STRUCTURAL STEEL TUBING SHALL CONFORM TO ASTM A500.
- 2.) ALL PLATES, BARS, AND ANGLES SHALL CONFORM TO AASHTO M270, GR. 36.
- 3.) DOWNSPOUTS SHALL BE GALVANIZED IN ACCORDANCE WITH ASTM A-123 AFTER FABRICATION.
- 4.) ALL BOLTS AND RELATED HARDWARE SHALL BE ASTM A307 AND SHALL BE GALVANIZED IN ACCORDANCE WITH ASTM A513 (AASHTO M232).

BILL OF MATERIAL

QTY	MARK	SHAPE	LENGTH	REMARKS
1	DSP-1	DOWNSPOUT		GALV.
1	T1	TS 8 X 8 X 1/4	4	0
1	T2	TS 8 X 8 X 1/4	2	10
2	DBI	DOWNSPOUT BRKT. BENT PL. 3/8" X 4"	2	6 1/4
FIELD BOLTS @ DOWNSPOUTS				
4		3/4" X 9" LG. EXPANSION ANCHOR BOLT W/ 2N&W		

IF/EP DRAWINGS ARE REVIEWED UNLESS NOTED OTHERWISE

NO EXCEPTION TAKEN

REVISE AS NOTED

RESUBMISSION NOT REQUIRED

REVISE AS NOTED

RESUBMISSION REQUIRED

REJECTED

DATE: January 2nd, 2007

SIGNATURE: *Scott Burdick*

REVIEW BY STANTEC IS FOR THE SOLE PURPOSE OF ASCERTAINING GENERAL CONFORMITY WITH DESIGN. CONTRACTOR IS RESPONSIBLE FOR DIMENSIONS, FABRICATION AND CONSTRUCTION METHODS. COORDINATION OF SUB-TENDERS, DETAIL DESIGN OF COMPONENTS AND ERRORS OR OMISSIONS ON SHOP DRAWINGS.

STATE PROJECT # BRO 1445 (29)

EXPANSION JOINT (EJ-1) DOWNSPOUT

EAST STREET (T.H. #4) OVER HUNTINGTON RIVER

DATE SUB.	PROJECT	LOCATION	HUNTINGTON VT.
DATE APP.	ENGINEER	ARCHITECT	STATE OF VERMONT, AGENCY OF TRANSPROTATION
DATE DIST.	CUSTOMER		PARENT CONSTRUCTION

REV. NO.	DATE	DESCRIPTION
HOLES:	13/16" (U.N.O.)	DATE: 11-20-06
PAINT:		

MERRIMACK MERRIMACK SHEET METAL
119 HALL ST.
CONCORD, N.H., 03301
TEL. (603) 224-7766
FAX. (603) 224-7925

MISCELLANEOUS IRON STRUCTURAL STEEL FABRICATORS

DR BY	KJM
REV BY	
JOB NO.	0922
DWG NO.	F4