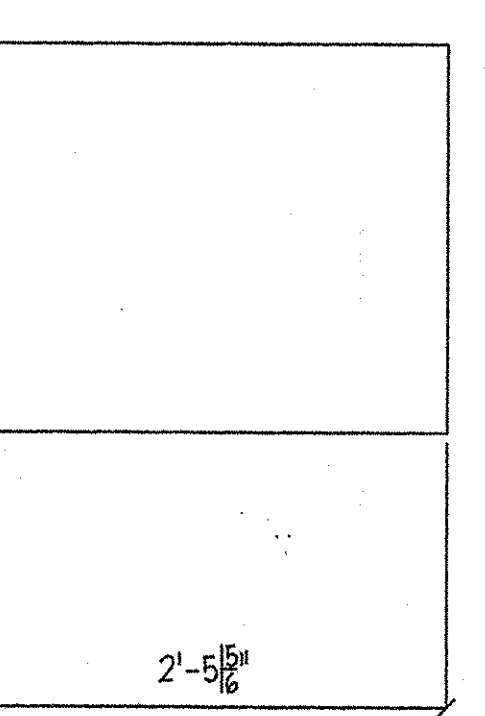
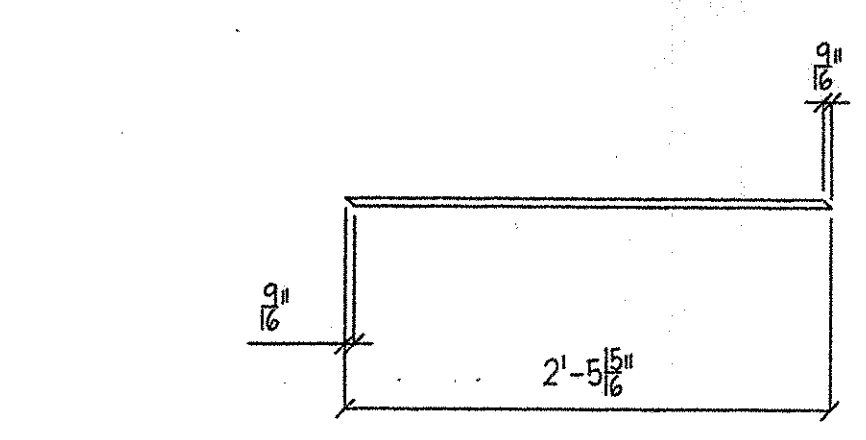
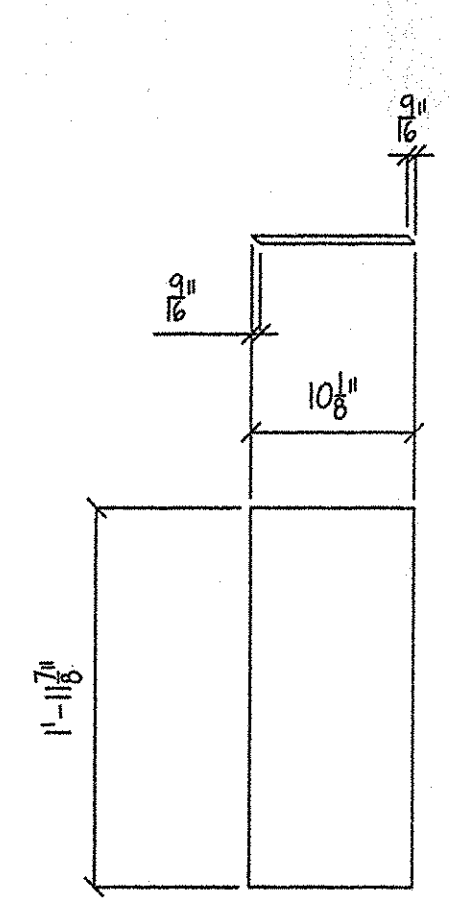


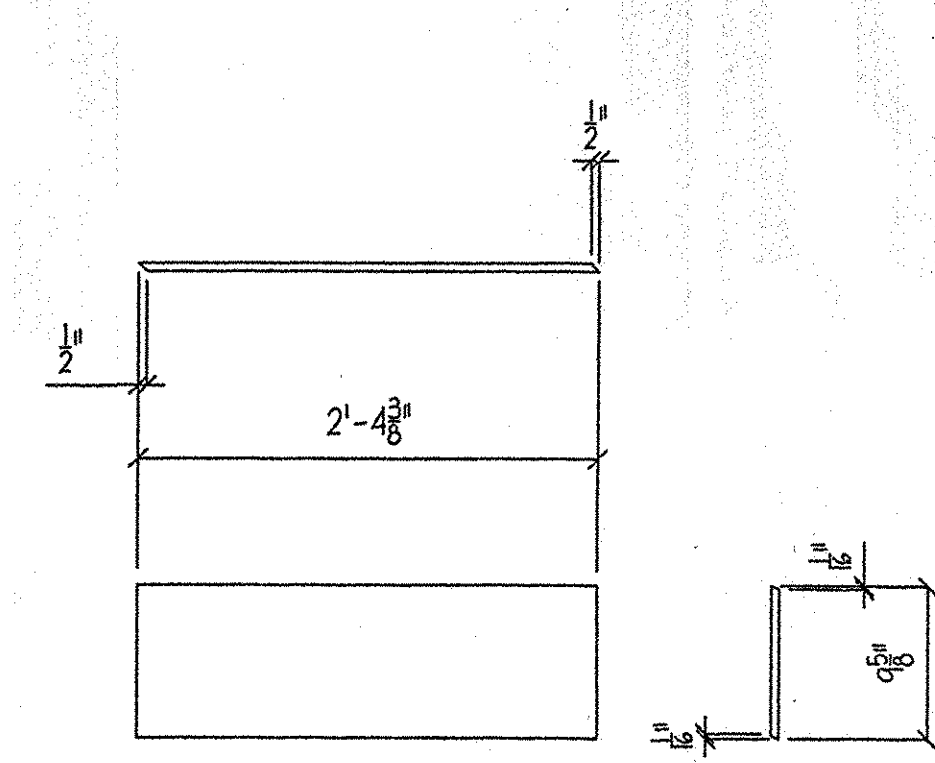
ONE REQ - P19



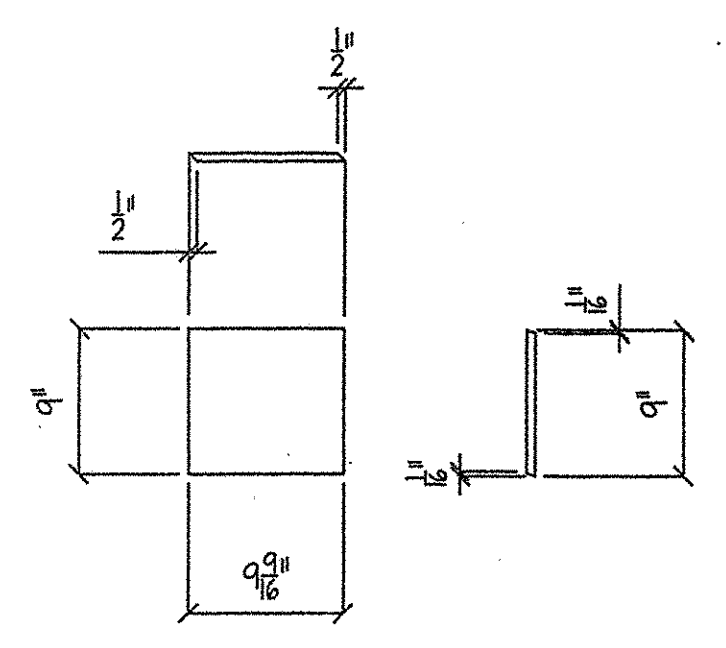
ONE REQ - P20



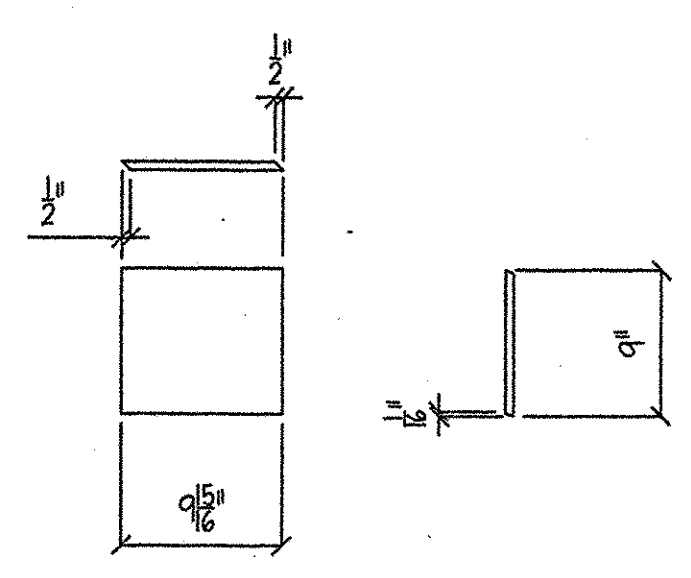
ONE REQ - P21



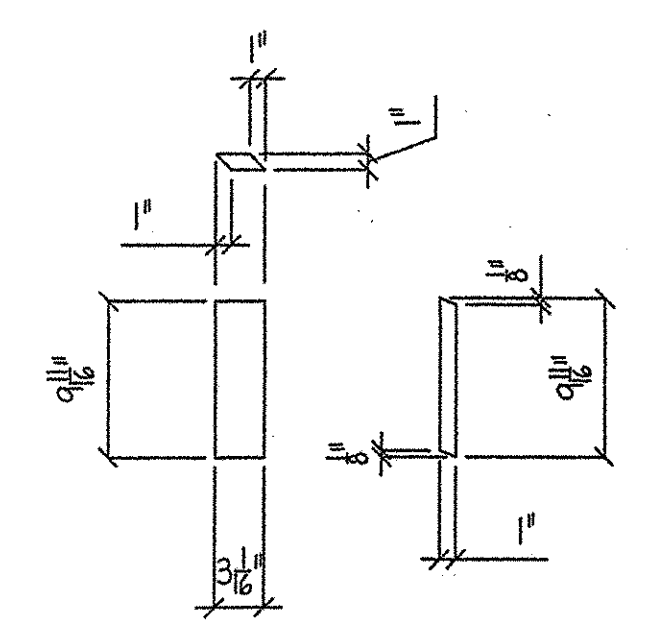
ONE REQ - P22



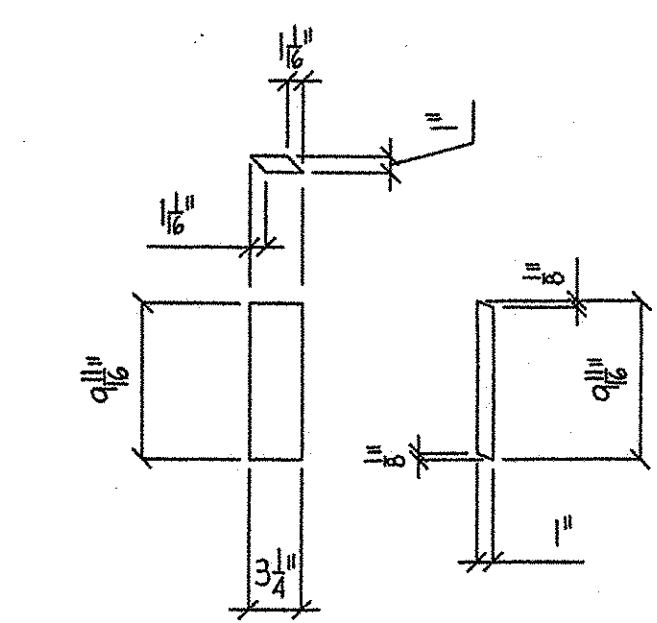
ONE REQ - P24



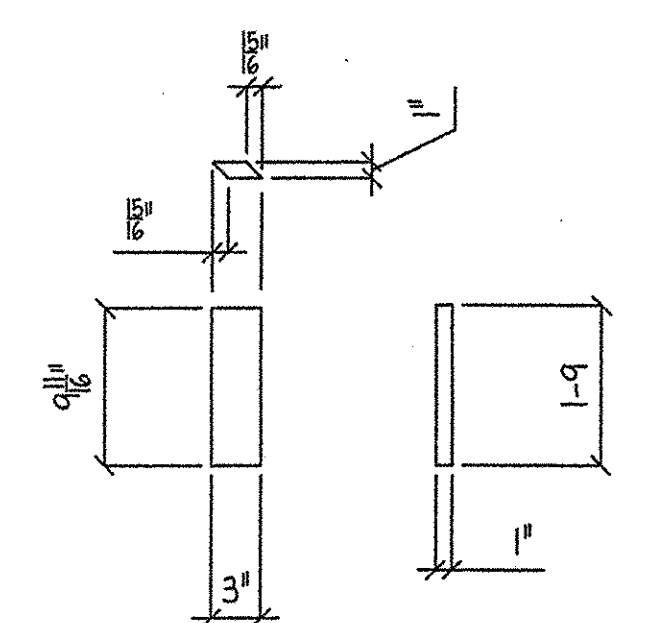
ONE REQ - P25



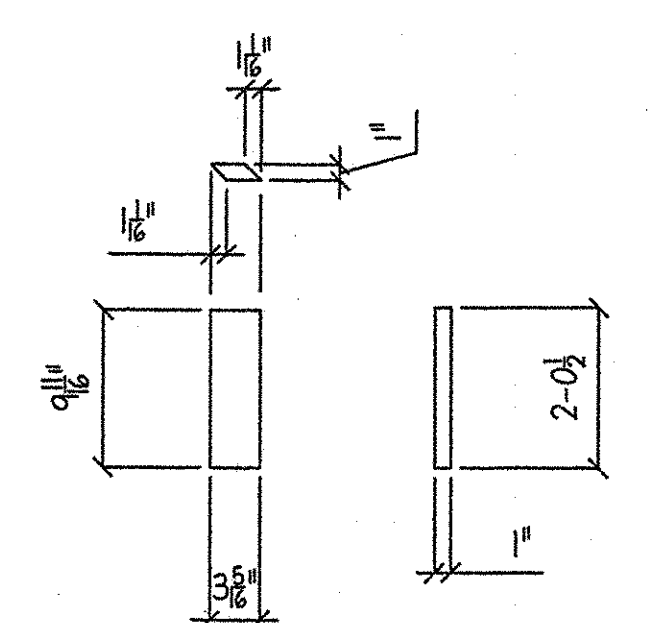
ONE REQ - P26



ONE REQ - P27

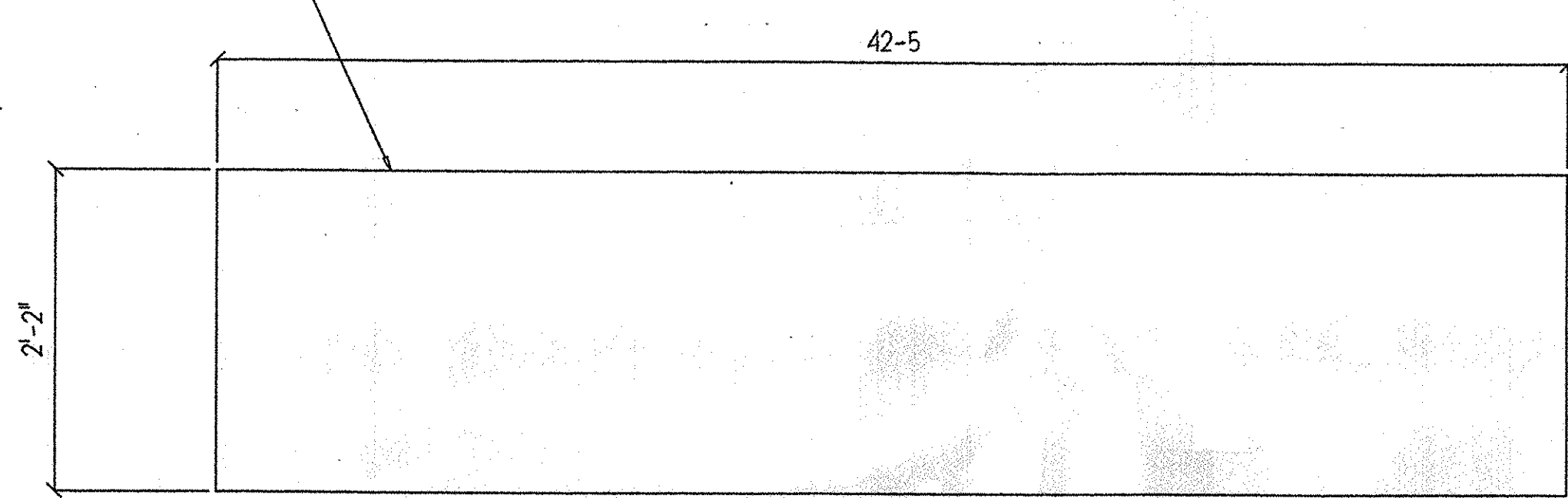


ONE REQ - P28



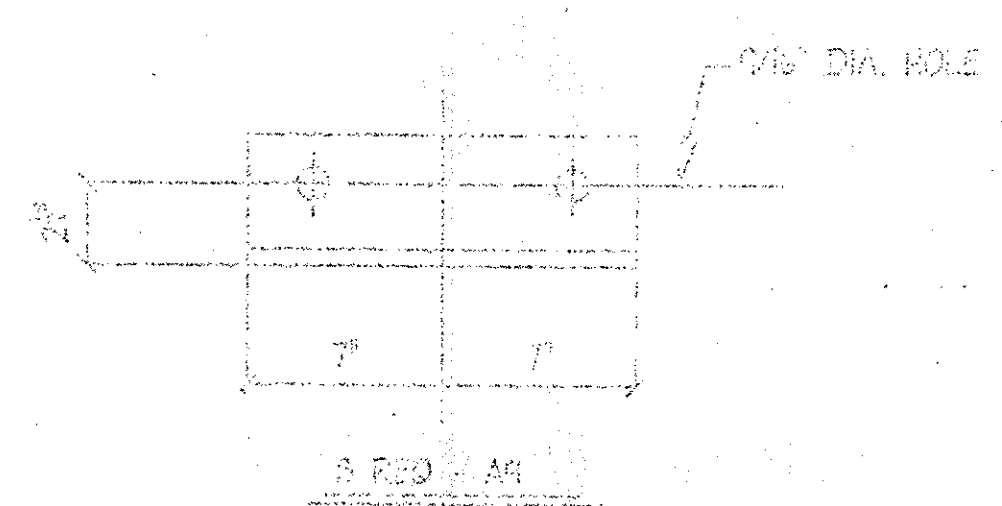
ONE REQ - P29

SEE FOLDED FABRIC TROUGH END DETAIL ON DWG. #E1

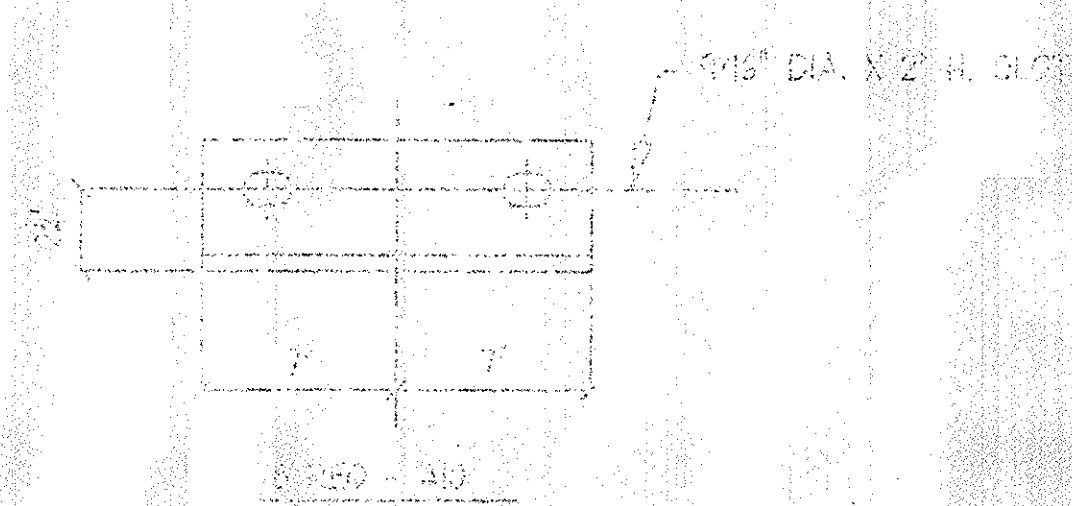


TROUGH LAYOUT

PERFORMED FABRIC TROUGH
5/32" X 26" (3 PLY)
W/ DRIP BEAD (SEE NOTES)



ONE REQ - A9



ONE REQ - A10

SHOP DRAWINGS ARE REVIEWED UNLESS NOTED OTHERWISE

NO EXCEPTION TAKEN

REVISE AS NOTED

RESUBMISSION NOT REQUIRED

REVISE AS NOTED

RESUBMISSION REQUIRED

REJECTED

DATE: January 2nd 2007

SIGNATURE: Scott Burckel

REVIEW BY STAFFED IS FOR THE SOLE PURPOSE OF ASCERTAINING GENERAL CONFORMITY WITH DESIGN. CONTRACTOR IS RESPONSIBLE FOR DIMENSIONS, FABRICATION AND CONSTRUCTION METHODS, COORDINATION OF SUB-TANCES, DETAIL DESIGN OF COMPONENTS AND BRACES OR OMISSIONS ON SHOP DRAWINGS.

BILL OF MATERIAL

QTY	MARK	SHAPE	LENGTH	REMARKS
1	P19	P 5/8" X 1 1/2"	9	2 9/16 GALV.
1	P20	P 1/2" X 24 1/2"	2	5 15/16
1	P21	P 1/2" X 10 1/8"	1	11 7/8
1	P22	P 1/2" X 9 5/8"	2	4 3/8
1	P23	P 1/2" X 9 5/8"	2	5 1/2
1	P24	P 1/2" X 9"	0	9 9/16
1	P25	P 1/2" X 9"	0	9 15/16
1	P26	P 1/2" X 3 1/16"	0	9 11/16
1	P27	P 1/2" X 3 1/4"	0	9 11/16
1	P28	P 1/2" X 3"	1	9
1	P29	P 1/2" X 3 5/16"	2	0 1/2

PERFORMED FABRIC TROUGH
5/32" X 26" (3 PLY)
W/ DRIP BEAD (SEE NOTES)

STATE PROJECT # BRO 1445 (29)

EXPANSION JOINT (EJ-1) FAB DETAILS

DATE SUB.	PROJECT	EAST STREET (T.H. #4) OVER HUNTINGTON RIVER
	LOCATION	HUNTINGTON VT.
	ARCHITECT	
DATE APP.	ENGINEER	STATE OF VERMONT, AGENCY OF TRANSPORTATION
DATE DIST.	CUSTOMER	PARENT CONSTRUCTION

MERRIMACK SHEET METAL
119 HALL ST.
CONCORD, N.H., 03301
TEL. (603) 224-7766
FAX. (603) 224-7925

MISCELLANEOUS IRON STRUCTURAL STEEL FABRICATORS

DR BY KJM
REV BY JD
JOB NO. 0922
DWG NO. F3

REV. NO.	DATE	DESCRIPTION
1	13/16/06 (U.N.O.)	DATE: 11-20-06
PAINT:		