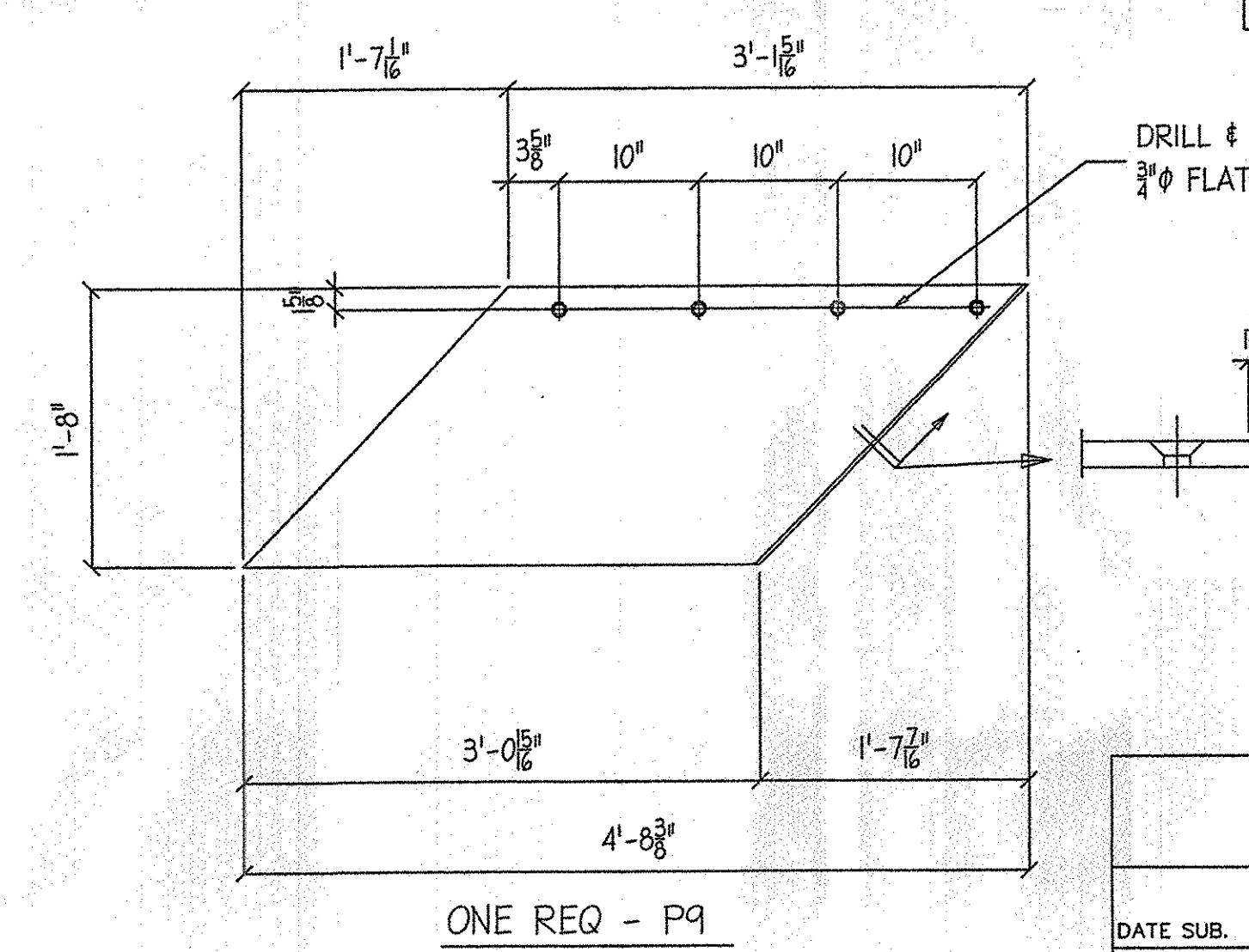
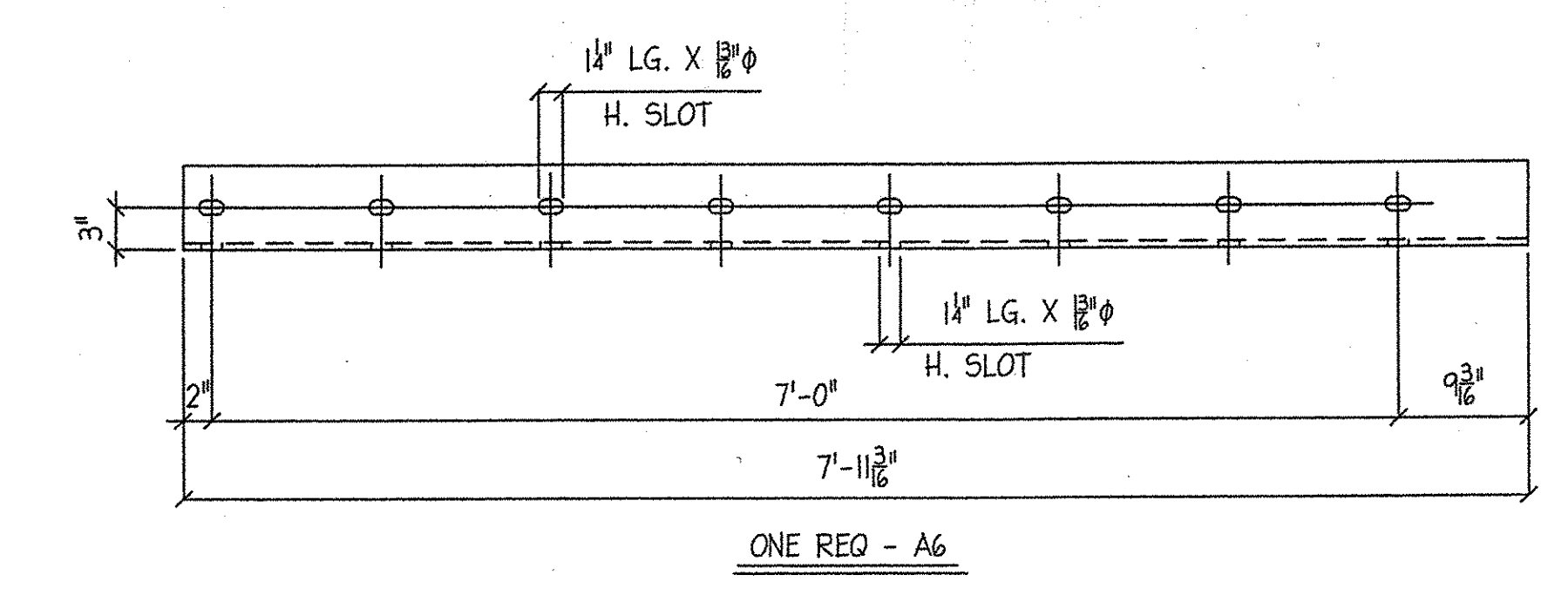
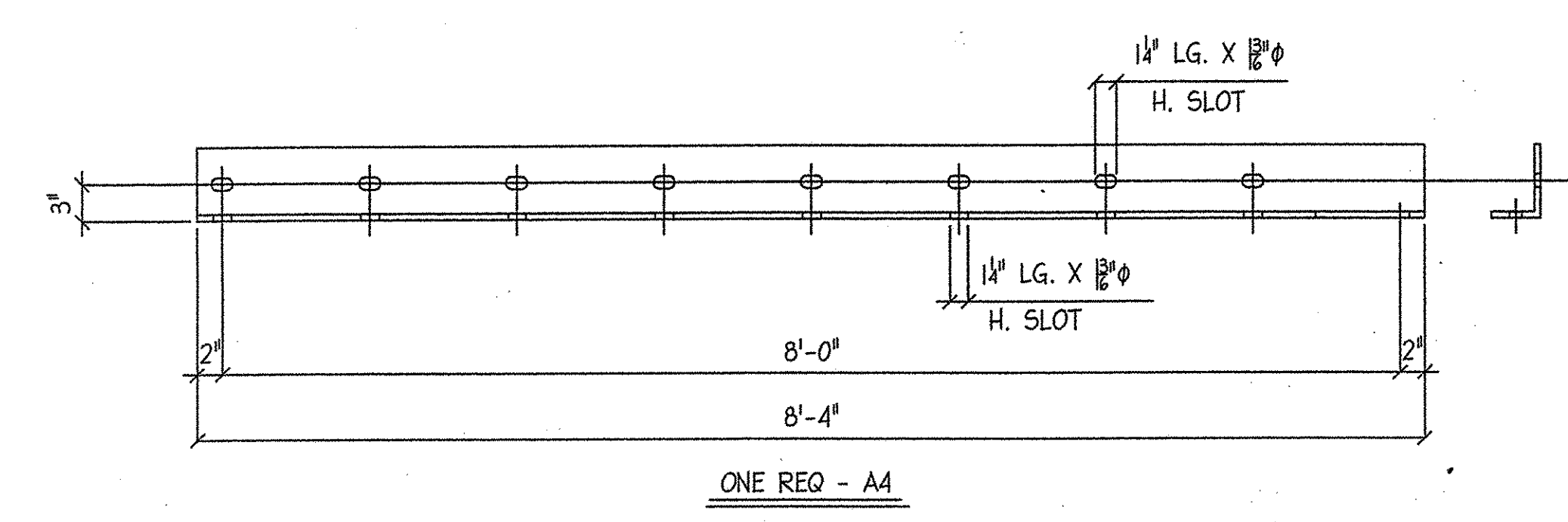
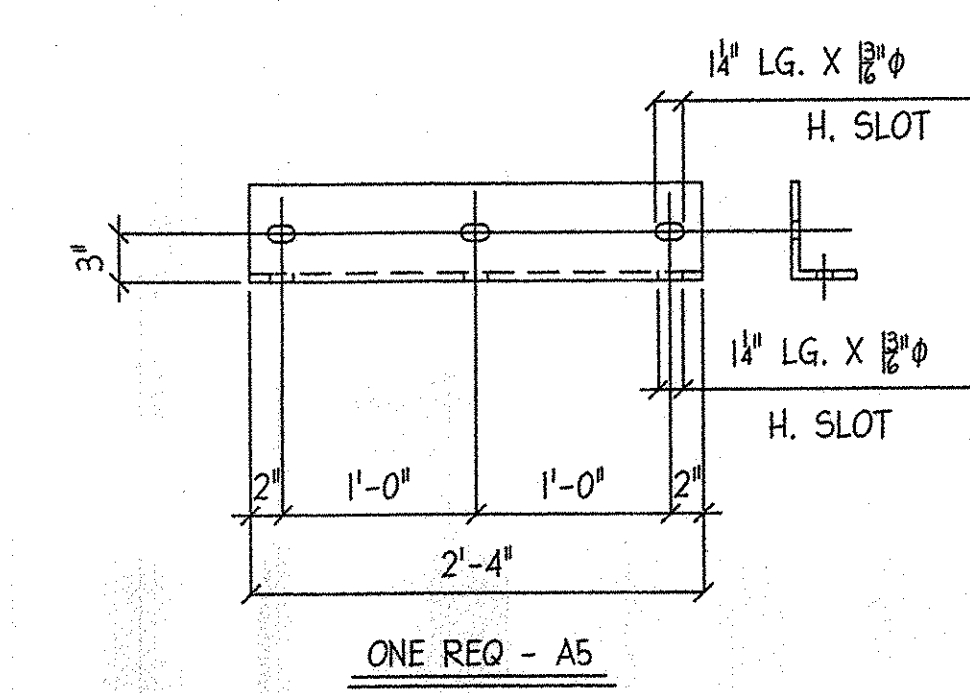
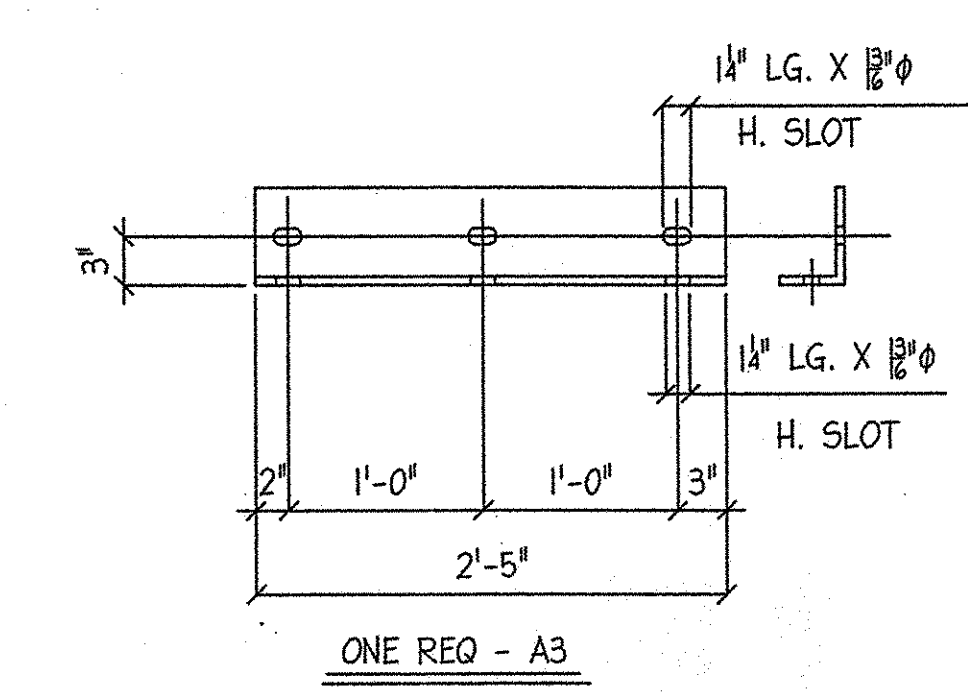


43 - S1 - 3/4" X 0-10 STUDS
18 - S3 - BENT 3/4" X 0-7 STUDS

42 - S2 - BENT 3/4" X 0-10 STUDS
7 - S4 - BENT 3/4" X 0-10 STUDS



BILL OF MATERIAL					
QTY	MARK	SHAPE	LENGTH	REMARKS	
1	EJ-1	EXPANSION JOINT			GALV.
1	A1	L8 X 4 X 1/2	24 4/8	8 11 1/16	
1	A2	L8 X 4 X 1/2	42	11 7/16	
43	S1	3/4" STUD	0	10	
42	S2	BENT 3/4" STUD	0	10	
18	S3	3/4" STUD	0	7	
7	S4	BENT 3/4" STUD	0	7	
1	P1	PL 1/4" X 5 1/2"	15	9 15/16	
1	P2	PL 1/4" X 5 1/2"	15	9 15/16	
1	P3	PL 1/4" X 5 1/2"	16	4 11/16	
1	P4	PL 1/4" X 5 1/2"	15	2 9/16	
4	P5	PL 1/2" X 8"	0	9	
16	S1	3/4" STUDS	0	10	
8	BPI	PL 1/2" X 8"	0	10	
8	P6	PL 1/2" X 6"	0	10	
32	RI	1" THRD. ROD	0	7	W/ 2 NUTS
64	P7	PL 3/8" X 3"	0	3	
1	P8	PL 1/2" X	3	1 11/16	
1	P9	PL 1/2" X 20"	4	8 3/8	
1	P10	PL 1/2" X 21"	2	4 1/8	
1	A3	L6 X 4 X 1/2	2	5	
1	A4	L6 X 4 X 1/2	8	4	
1	A5	L6 X 4 X 1/2	2	4	
1	A6	L6 X 4 X 1/2	7	11 3/16	
1	A7	L 2 1/2 X 2 1/2 X 3/8	3	2 11/16	
BOLTS @ EXPANSION JOINT (EJ-1)					
86		3/4" X 2 1/4" HEAVY HEX BOLTS (ASHTO M164) @ L8 X 4 X 1/2 W/ 3/4" CLOSED THREADED ANCHOR FERRULE			
14		3/4" FLATHEAD BOLT (ASTM F 835-93) W/ 3/4" X 2" CLOSED THREADED FERRULE @ CURB TOP PLATE			
23		3/4" X 2 1/4" HEAVY HEX BOLTS (ASHTO M164) @ L6 X 4 X 1/2 W/ 3/4" X 2" CLOSED THREADED FERRULE			
1		1/2" X 1" BOLT W/ 2 WASH. & NUT @ FABRIC TROUGH			

Clip End of L8x4 to Match Concrete Below Cg.P.

ANCHOR FERRULE DETAIL
DAYTON/RICHMOND TYPE LF, 3/4" DIA. CLOSED FERRULE OR EQUAL.
NOTE: CLOSED THREADED FERRULE NUTS WITHOUT ANCHOR LOOPS MAY BE USED.
Tack on nuts with plastic caps 25 per conversation w/ Jeff Clark on 12-15-06.

STATE PROJECT # BRO 1445 (29)

EXPANSION JOINT (EJ-1) FAB DETAILS

DATE SUB.	PROJECT	EAST STREET (T.H. #4) OVER HUNTINGTON RIVER
DATE APP.	LOCATION	HUNTINGTON VT.
DATE DIST.	ARCHITECT	STATE OF VERMONT, AGENCY OF TRANSPORTATION
	ENGINEER	
	CUSTOMER	PARENT CONSTRUCTION

MERRIMACK MERRIMACK SHEET METAL
119 HALL ST.
CONCORD, N.H., 03301
TEL. (603) 224-7766
FAX. (603) 224-7925

NO EXCEPTION TAKEN
REVISIONS AS NOTED
PERMISSION NOT REQUIRED
REVISIONS AS NOTED
PERMISSION REQUIRED
SELECTED

DATE: January 2nd, 2007
Scott Durbin

REVIEW BY: STATE OF VERMONT, AGENCY OF TRANSPORTATION
DESIGN: CONTRACTOR IS RESPONSIBLE FOR DIMENSIONS, FABRICATION AND CONSTRUCTION METHODS. COORDINATION OF SUB TRADES, DETAIL DESIGN OF COMPONENTS AND FINISHES OR OMISSIONS ON SHOP DRAWINGS.

REV. NO.	DATE	DESCRIPTION
HOLES: 13/16" (U.N.O.)	DATE: 11-20-06	
PAINT:		