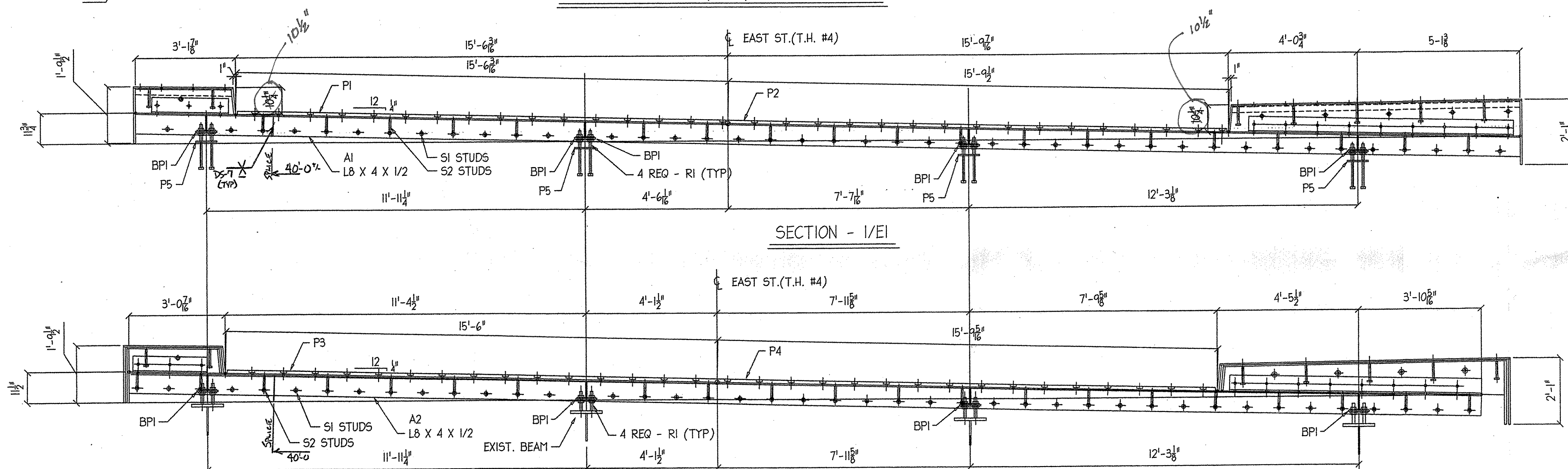
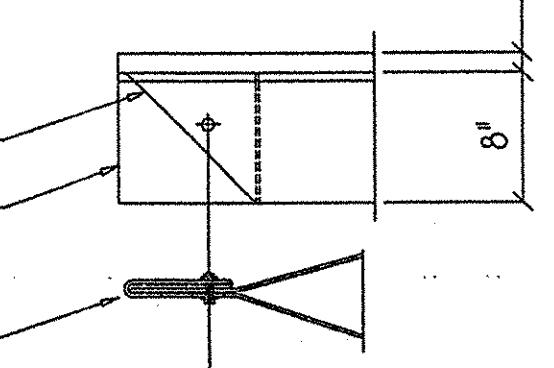


EXPANSION JOINT (EJ-1) @ ABUTMENT #1

PERFORMED FABRIC TROUGH
5/32" X VARIES (3 PLY)
W/ DRIP BEAD (SEE NOTES)

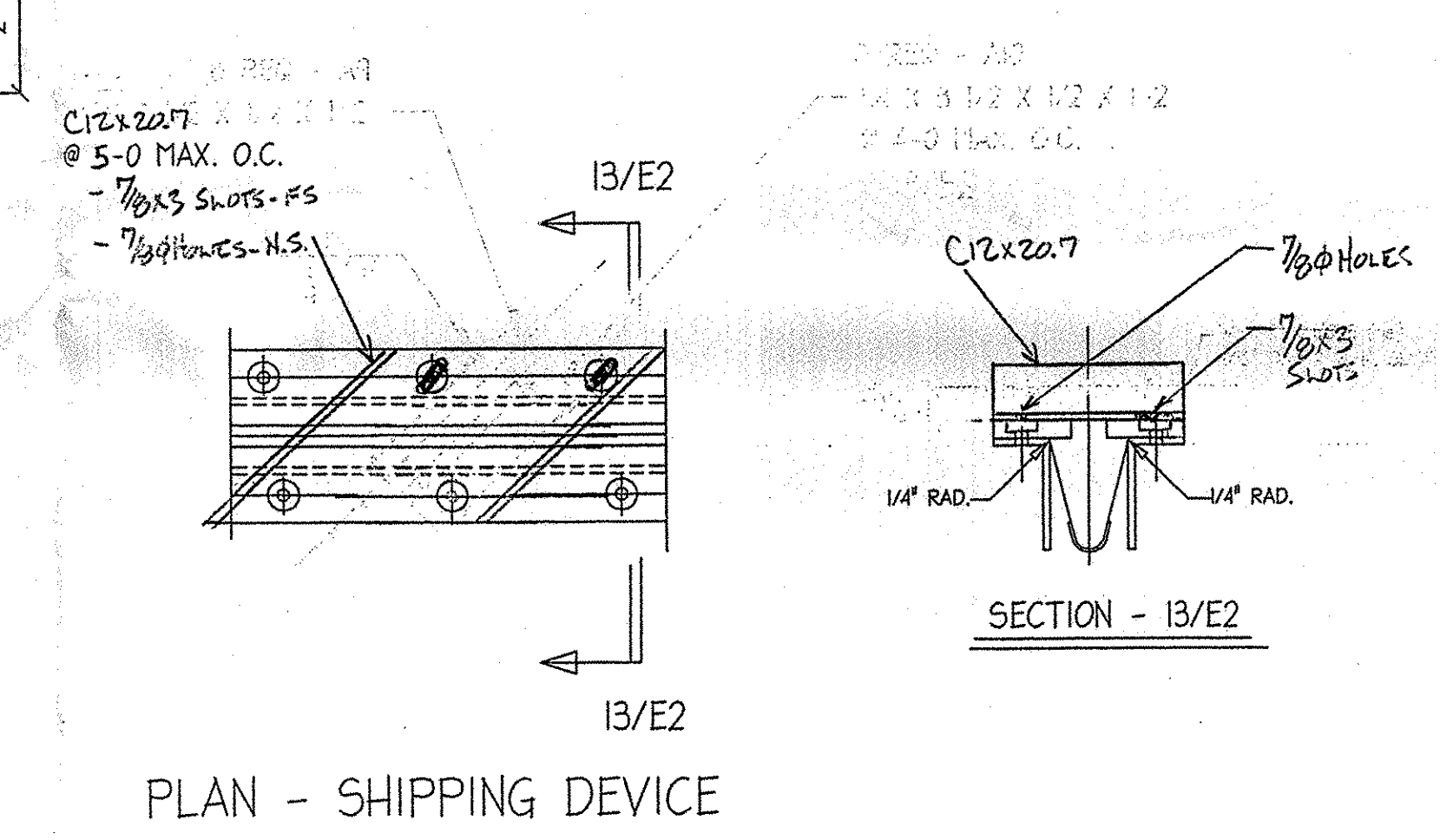
(2) 1/2" x 1" GALV. BOLT
W/ 2" WASHERS THRU FABRIC
TYP. (BOTH SIDES OF FOLD)

USE 2 BOLTS W/ 2 FOLDS
FOLDED FABRIC TROUGH END DETAIL

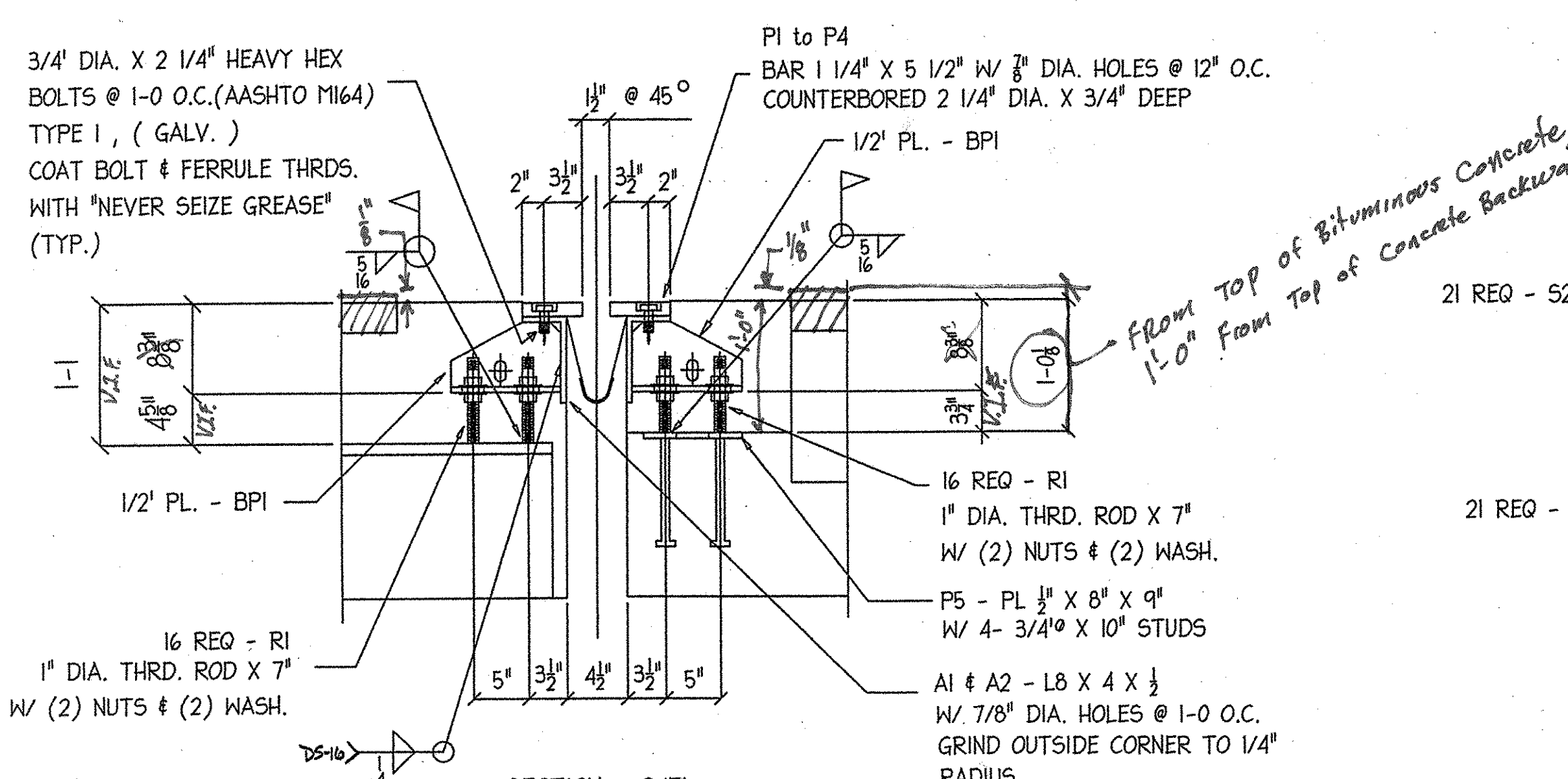


SECTION - 1/EI

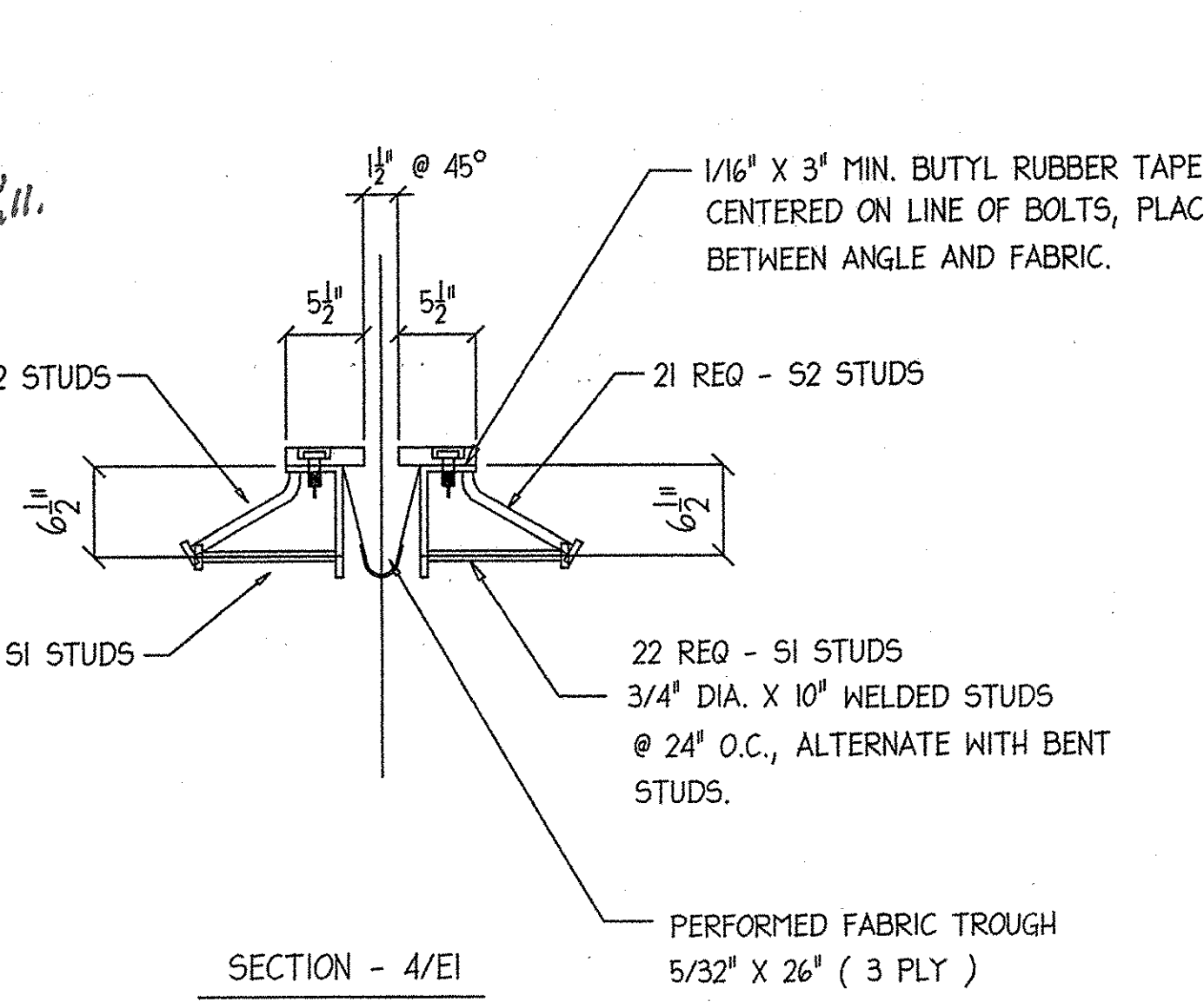
SECTION - 2/EI



PLAN - SHIPPING DEVICE



SECTION - 3/EI



SECTION - 4/EI

SHOP DRAWINGS ARE REVIEWED UNLESS NOTED OTHERWISE
NO EXCEPTION TAKEN
REVISIONS NOTED
REVISIONS NOT REQUIRED
REVISIONS NOTED
REVISIONS NOT REQUIRED
REVISIONS NOTED
REVISIONS NOT REQUIRED
DATE: January 2nd, 2007
SIGNATURE: Scott Bruland
REVIEW BY STARTED IS FOR THE SOLE PURPOSE OF ASCERTAINING GENERAL CONFORMITY WITH DESIGN. CONTRACTOR IS RESPONSIBLE FOR DIMENSIONS, FABRICATION AND CONSTRUCTION METHODS. COORDINATION OF SUB-TENDERS, DETAIL DESIGN OF COMPONENTS, AND ERRORS OR OMISSIONS ON SHOP DRAWINGS.

TEMP	"A" DIST.
0° F	2"
15° F	1 7/8"
30° F	1 11/16"
45° F	1 1/2"
60° F	1 5/16"
75° F	1 1/8"
90° F	1"
105° F	13/16"

"A" is the setting before dead loads are in place.

REV. NO.	DATE	DESCRIPTION
1	11-20-06	HOLES: 13/16" (U.N.O.)
2		PAINT:

STATE PROJECT # BRO 1445 (29)	
EXPANSION JOINT (EJ-1) @ ABUTMENT #1	
EAST STREET (T.H. #4) OVER HUNTINGTON RIVER	
DATE SUB.	PROJECT
DATE APP.	LOCATION HUNTINGTON VT.
DATE DIST.	ARCHITECT
	ENGINEER STATE OF VERMONT, AGENCY OF TRANSPORTATION
	CUSTOMER PARENT CONSTRUCTION
MERRIMACK MERRIMACK SHEET METAL	
119 HALL ST.	
CONCORD, N.H., 03301	
TEL. (603) 224-7766	
FAX. (603) 224-7925	
DR BY	KJM
REV BY	JD
JOB NO.	0922
DWG NO.	EI