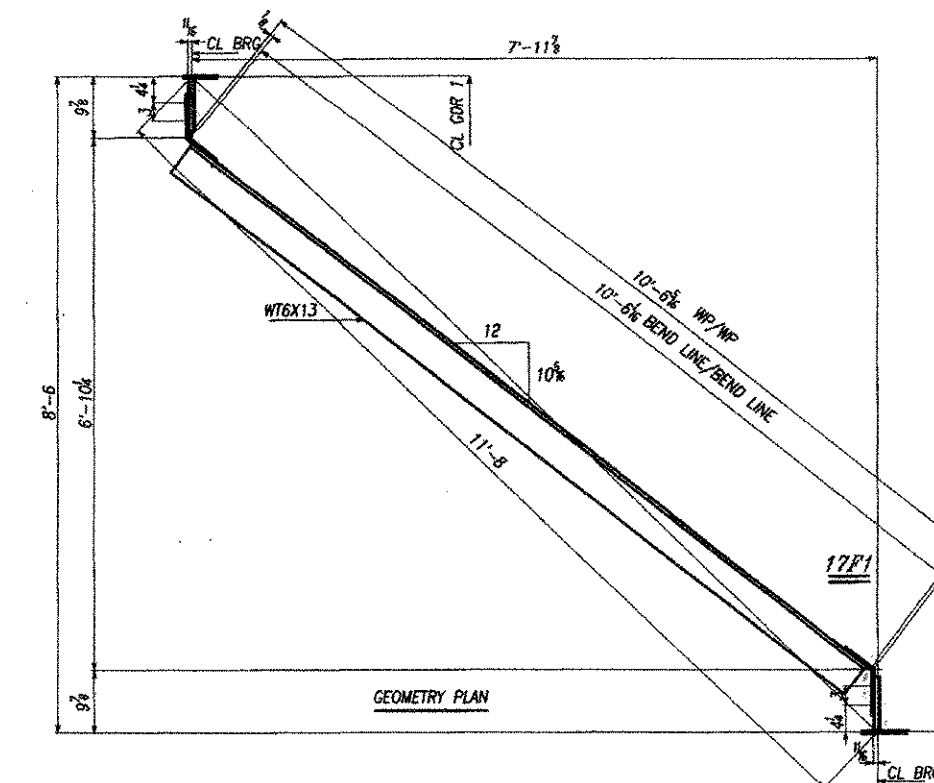


SHOP BILL

NO.	QTY	DESCRIPTION	UNIT	REMARKS	DATE
1	1	CROSSFRAME			
2	2	WT 6x12	10' 4"	A V	M270-50W
3	1	L 6x6	5' 5 1/2"	C V	M270-50W
4	1	L 6x6	5' 5 1/2"	D V	M270-50W
5	2	PL 3/8	1' 1"	E V	M270-50W
6	2	PL 3/8	1' 4"	F V	M270-50W
7	1	PL 3/8	1' 6 1/2"	H V	M270-50W

DOMESTIC MATERIAL



STA 9419.57 TO STA 11401.07
 BRIDGE # 42 EAST STREET (PM 4)
 HUNTINGTON, VT
 CHITTENDEN COUNTY

DESIGNED BY: [Signature]
 CHECKED BY: [Signature]
 DATE: [Date]

PROJECT: BRIDGE # 42 EAST STREET (PM 4)
 CLASS: LOCAL ROAD
 CONTRACTOR: [Name]
 CONTRACT NO.: [Number]

SCALE: 1" = 10'-0"
 DATE: [Date]