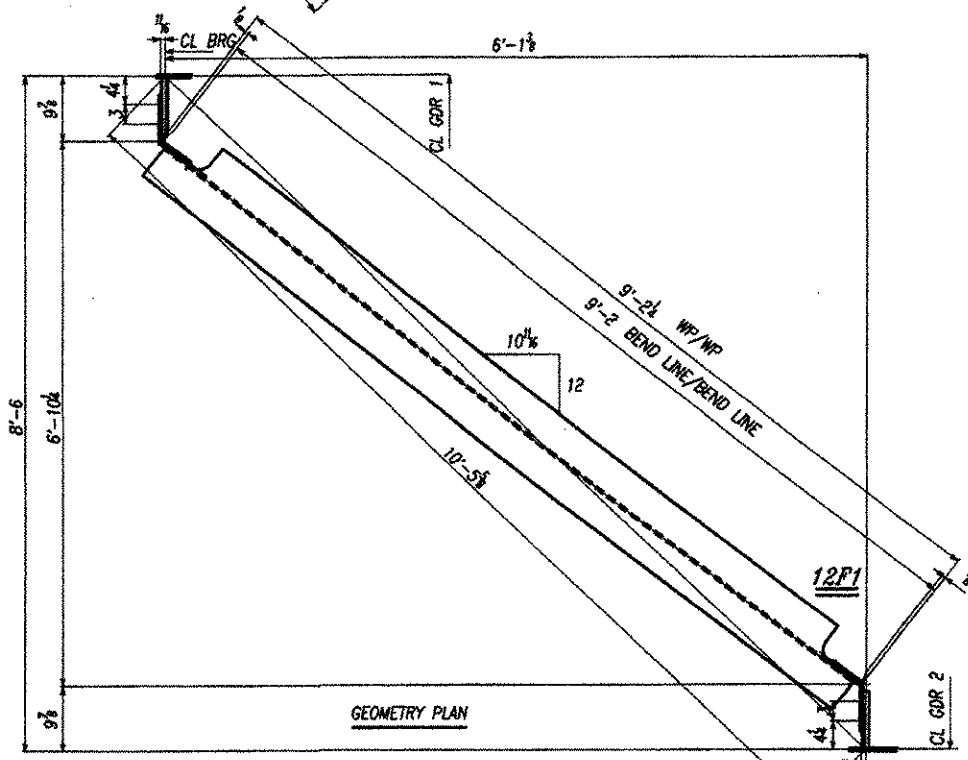


SHOP BILL

QUANTITY	UNIT	DESCRIPTION	LENGTH	WEIGHT	MARKING	REMARKS	UNIT PRICE	TOTAL PRICE
1	TRUSS	CROSSBRAMES						
1	WT	12x48 S 8 11 1/2	A	V	ME70-SOM	270112 1		
1	WT	6x12 S 8 11 1/2	C	V	ME70-SOM	270112 1		
1	L	6x6 S 4 10 1/2	D	V	ME70-SOM	282011 1		
1	L	6x6 S 4 10 1/2	E	V	ME70-SOM	282011 1		
2	PL	1/2x12 1/2	G	V	BEND ME70-SOM	282011 15		
2	PL	1/2x12 1/2	H	V	BEND ME70-SOM	282011 15		

DOMESTIC MATERIAL



RECEIVED

OK'D BY: _____ OK'D BY: *[Signature]*

FEB 7 - 2007

RESUBMIT: _____ APPROVED: _____

BY: *[Signature]* DATE: 2/22/07

STA 9+18.07 TO STA 11+01.07
 BRIDGE # 42 EAST STREET (THRU 4)
 HUNTINGTON, VT

CHITTENDEN COUNTY

DESIGNED BY: *[Signature]* DATE: 1/24/07

CHECKED BY: *[Signature]* DATE: 1/24/07

PROJECT: BRIDGE # 42 EAST STREET THRU 4

CLASS: CLASS II LOCAL ROAD

LOCATION: HUNTINGTON, VT

OWNER: CHITTENDEN COUNTY

DESIGNER: PARSONS ENGINEERING

CONTRACTOR: CHITTENDEN COUNTY

DATE: 1/24/07

SCALE: AS SHOWN

APP. NO. 10155