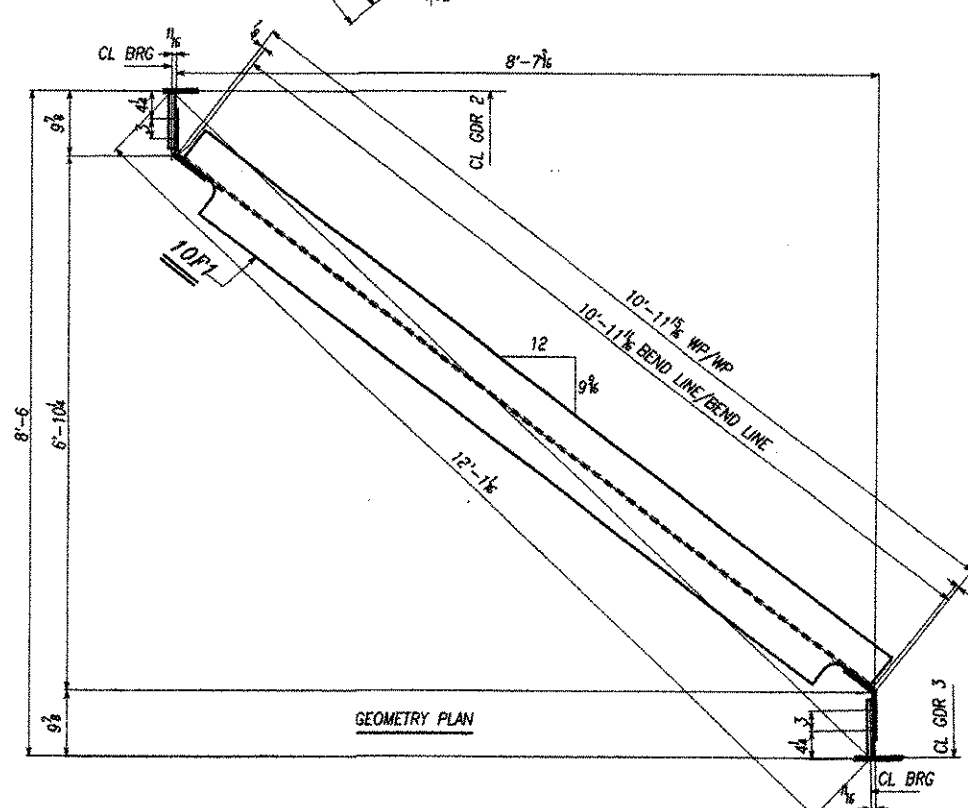


SHOP BILL

NO.	QTY	DESCRIPTION	LENGTH	WEIGHT	REMARKS	UNIT	PRICE	TOTAL
1	1	CROSSFRAMES						
2	1	WT 130x6.5 10 PK			A V	MT 70-SW	270.11	
3	1	WT 8x12 10 PK			C V	MT 70-SW	270.11	
4	1	L 8x8x5 5 PK			D V	MT 70-SW	270.11	
5	1	L 8x8x5 5 PK			E V	MT 70-SW	270.11	
6	2	PK 3x12 1 PK			G V	BEND MT 70-SW	270.11	
7	2	PK 3x12 1 PK			H V	BEND MT 70-SW	270.11	

DOMESTIC MATERIAL



RECEIVED

CK'D BY _____ CK'D BY LSB

FEB 7 - 2007

RESUBMIT _____ APPROVED _____

BY MSJ DATE 2/22/07

STA 94+0.57 TO STA 11+01.07
 BRIDGE # 42 EAST STREET (TH 4)
 HUNTINGTON, VT
 CHITTENDEN COUNTY

DESIGNED BY: SEE 201
 CHECKED BY: SEE 201
 DATE: 1-22-07 FOR: ADDED DIMENSIONS TO PLAN
 1-22-07 FOR: REWORK WORKING A & B AND H

PROJECT: BRIDGE # 42 EAST STREET (TH 4)
 CLASS: STANDARD
 LOCATION: HUNTINGTON, VT
 CONTRACTOR: CHITTENDEN COUNTY
 CONTRACT NO.: 06-001
 DRAWING NO.: 06-001-01
 SHEET NO.: 1 OF 1