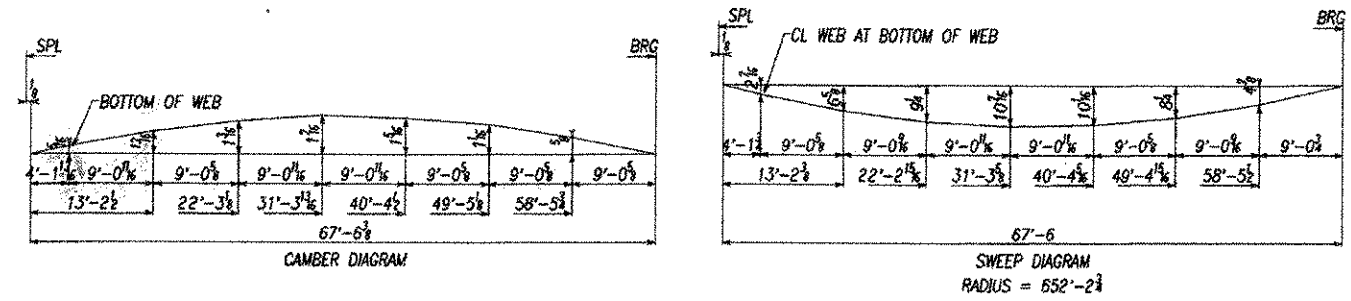


SHOP BILL											
LINE	QTY	DESCRIPTION	SIZE	GRADE	MARK	PLACEMENT	WELD	WELD SPEC.	WELD APP.	WELD NO.	WELD
1	1	PLATE GROSS									
1	1	PL 1X18	68	3/4	FF18	V	M270-50W				
1	1	PL 1X18	68	3/4	FF18	V	M270-50W				
1	1	PL 1X24	68	3/4	FF18	V	M270-50W				
2	2	PL 1X8	3	6	C2	V	M270-50W				
1	1	PL 1X18	3	6	C2	V	M270-50W				
1	1	PL 1X18	2	6	A2	V	M270-50W				
2	2	PL 1X8	2	6	C2	V	M270-50W				
2	2	PL 1X8	1	6	C2	V	M270-50W				
2	2	PL 1X8	3	8	A1	FF	M270-50W				
6	6	PL 1X8	3	8	D1	FF	M270-50W				
1	1	PL 1X8	3	8	H2	FF	M270-50W				
2	2	F BOLT	3/4	0	2 1/2		A307				
4	4	F BOLT	3/4	0	3 1/2		A307				
4	4	F BOLT	3/4	0	4		A307				
DOMESTIC MATERIAL											



STA 9+19.57 TO STA 11+01.07
 BRIDGE # 42 EAST STREET (HWY 4)
 HUNTINGTON, VT
 CHITTENDEN COUNTY

DESIGNED BY: HOSCH
 DRAWN BY: HOSCH
 CHECKED BY: HOSCH
 DATE: 10/20/2010

PROJECT: BRIDGE # 42 EAST STREET (HWY 4)
 CLASS: FLOOD DAMAGE
 LOCATION: HUNTINGTON, VT
 CONTRACTOR: CAROLINA UTILITY CORPORATION

SCALE: AS SHOWN
 SHEET NO: 2/2
 TOTAL SHEETS: 2

09355