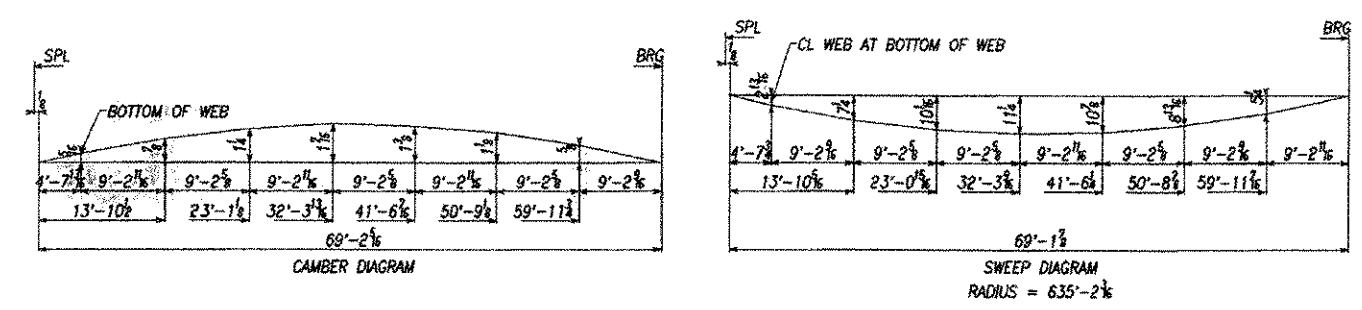


SHOP BILL

NO.	QTY	DESCRIPTION	UNIT	REMARKS	DATE
1	1	PLATE GROSSER			
1	1	PL 1218	69 11 1718	V	M270-50W
1	1	PL 1218	69 11 1718	V	M270-50W
1	1	PL 5244	69 11 1718	V	M270-50W
2	2	PL 328	3 68	E2	V M270-50W
1	1	PL 3218	3 68	G2	V M270-50W
1	1	PL 3218	3 68	A2	V M270-50W
2	2	PL 328	3 68	G2	V M270-50W
2	2	PL 3218	3 68	G2	V M270-50W
1	1	PL 3285	3 8	A1	FIN V M270-50W
1	1	PL 3285	3 8	C1	FIN V M270-50W
3	3	PL 3285	3 8	G1	FIN V M270-50W
1	1	PL 3285	3 8	H2	FIN V M270-50W
2	2	F BOLT	3/4	0 25	A307
4	4	F BOLT	3/4	0 25	A307
4	4	F BOLT	3/4	0 4	A307
1	1	PL 1258	1 05	G1	TEMP M270-50W

DOMESTIC MATERIAL



STA 24+19.57 TO STA 11+01.07
BRIDGE # 42 EAST STREET (74# 4)
HENNINGTON, VT
CHITTENDEN COUNTY

DESIGNED BY: []
CHECKED BY: []
DATE: []

PROJECT: BRIDGE # 42 EAST STREET (74# 4)
CLASS: []
CONTRACT: []
CONTRACTOR: []
DATE: []

SCALE: []
BY: []
DATE: []