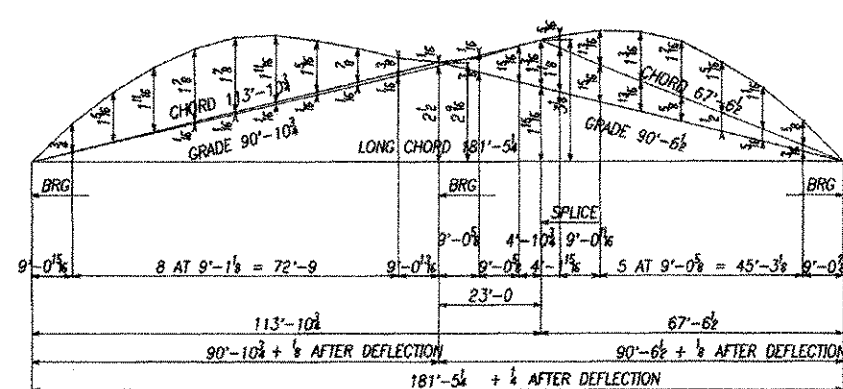
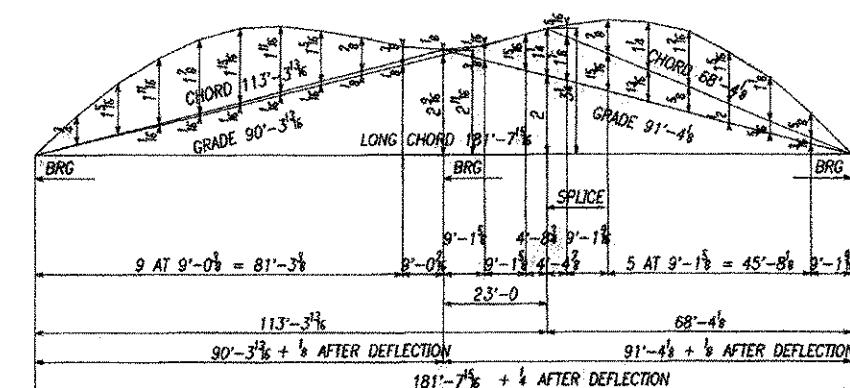


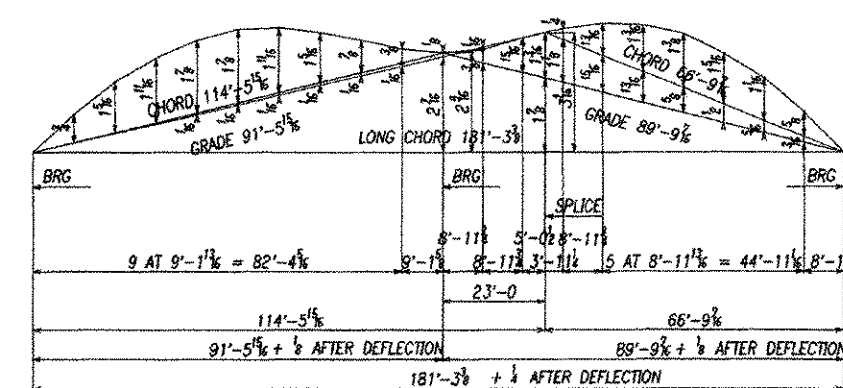
CAMBER DIAGRAM LINE 1



CAMBER DIAGRAM LINE 3



CAMBER DIAGRAM LINE 2



CAMBER DIAGRAM LINE 4

DEFINITION OF TERMS
 ALL DIMENSIONS IN THE GRADE AND CAMBER DIAGRAMS, EXCEPT THOSE IDENTIFIED OTHERWISE, ARE ALONG THE LONG CHORD. THOSE IDENTIFIED BELOW ARE ALONG THE PLANES THROUGH THE ACTUAL ELEVATIONS.
 LONG CHORD (ARC)-FROM CL END BRG TO CL END BRG
 GRADE & CAMBER DIAGRAMS (ARCS)
 GRADE LINE-FROM CL BRG TO CL BRG
 CHORD LINE-FROM CL END BRG TO CL NEAREST FIELD SPlice, OR FROM CL FIELD SPlice TO CL FIELD SPlice

BLOCKING NOTE
 GIRDERS SHALL BE SHIP ASSEMBLED IN THE CAMBERED POSITION WITH THE BEAMS AND SPLICES BLOCKED TO THE DIMENSIONS SHOWN WITHOUT INCLUDING STRESS INTO THE MEMBERS. FULLY ASSEMBLE AND CHECK ALL BLOCKING AND CAMBER ORIGINATES IN THE SHOP. MAKE ADJUSTMENTS WHERE NECESSARY. HOLES SHALL BE DILLED FROM THE SOLE USING THE OUTSIDE SPLICE PLATE AS A TEMPLATE AND MATCH MARKED WITH SPLICE MATERIAL ASSEMBLED TO THE GIRDERS.
 FOR FIELD ELEVATION GIRDERS SHALL BE PINNED AND BOLTED, AND SPLICE ELEVATIONS SHALL BE CHECKED BEFORE BOLTS ARE TIGHTENED.
 SHIPPING BOLTS SHALL BE MACHINE BOLTS.
 ALL SHIPPING BOLTS SHALL BE REMOVED AND DISCARDED.

STA 9+19.57 TO STA 11+01.07
 BRIDGE # 42 EAST STREET (THRU 4)
 FARMINGTON, VT
 CANTONMENT COUNTY

| | |
|--------------------------|---|
| APPROVED BY: MSH | DATE: 11/11/07 |
| DESIGNED BY: SEE RIT | DATE: 11/11/07 |
| CHECKED BY: SEE RIT | DATE: 11/11/07 |
| CONTRACT NO. 07-00000000 | PROJECT: BRIDGE # 42 EAST STREET (THRU 4) CLASS II (LOCAL ROAD) |
| LOCATION: FARMINGTON, VT | DESIGNER: CARROLLA ENGINEERING CORPORATION |
| SCALE: 1/8" = 1'-0" | DATE: 11/11/07 |
| DRAWN BY: SEE RIT | DATE: 11/11/07 |