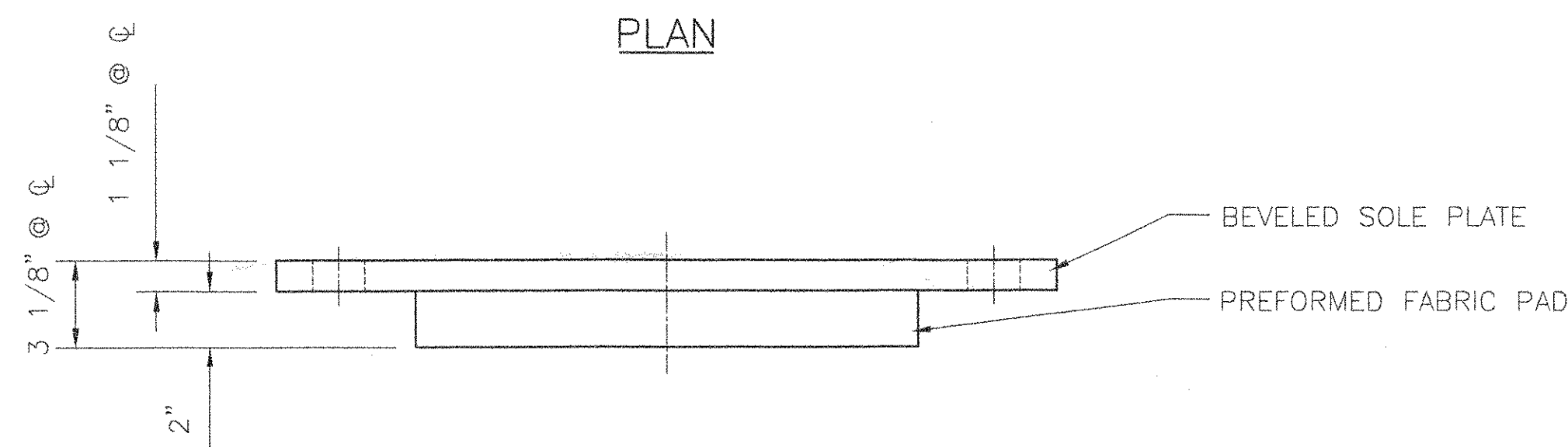


SIDE ELEVATION



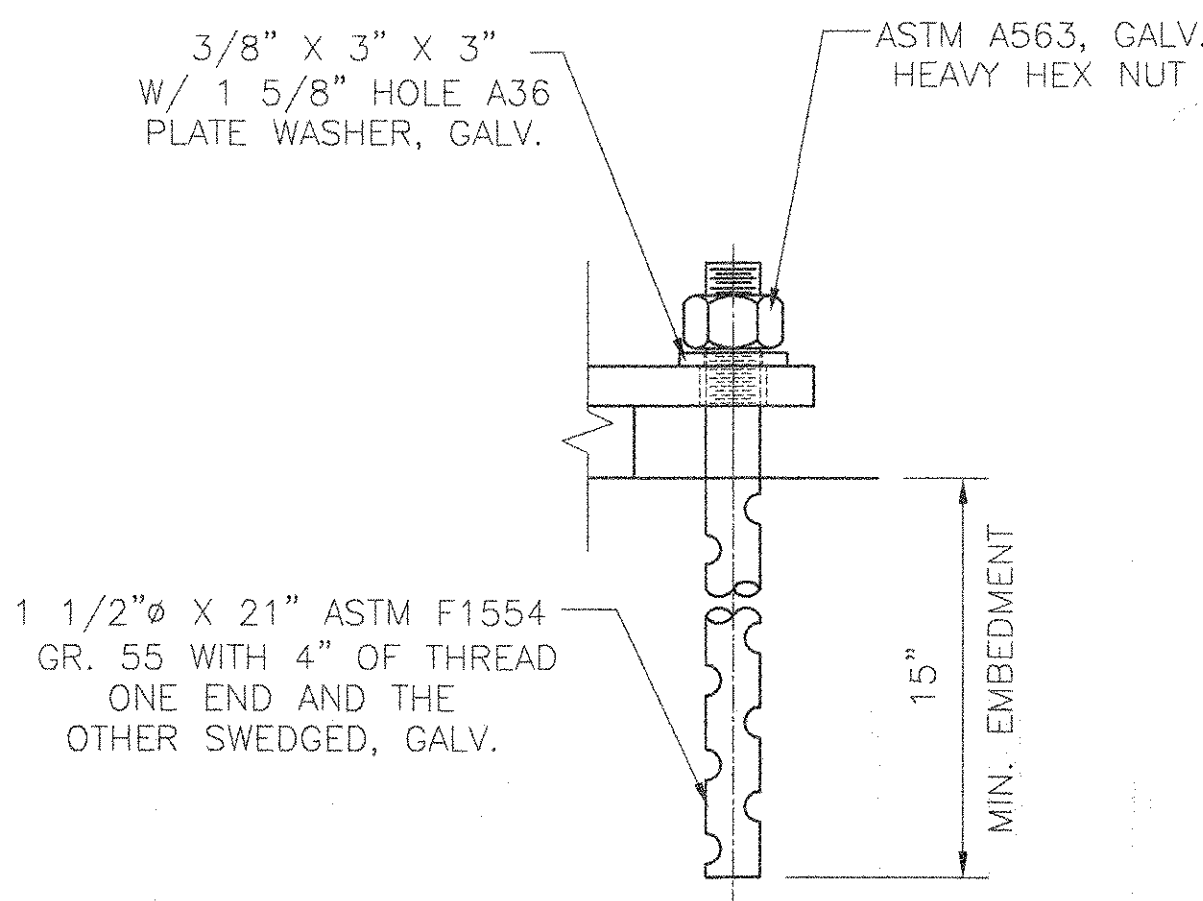
FRONT ELEVATION

COSMEC FIXED FABRIC PAD BEARING

QUANTITY: 4
 LOCATION: ABUTMENT 2, GIRDERS 1-4
 VERTICAL LOAD CAPACITY: 150 KIPS
 TRANSVERSE LOAD CAPACITY: 15 KIPS
 LONGITUDINAL LOAD CAPACITY: 15 KIPS
 MOVEMENT CAPACITY: 0"
 ROTATION CAPACITY: .016 RADIAN

BEARING NOTES

1. ALL MATERIALS USED IN THE FABRICATION OF THESE BEARINGS SHALL BE MADE IN THE U.S.A.
2. BEARINGS SHALL BE STORED IN A CLEAN, DRY, LEVEL UPRIGHT POSITION.
3. LOCATION OF FABRICATION PLANT - 70 SOUTH STREET WALPOLE, MA 02081
4. COSMEC, INC. REPRESENTATIVE - MR. MATT McANDREWS (508) 668-6600



MATERIALS

STEEL - ASTM A709 GRADE 36, ZINC METALLIZED
 PREFORMED FABRIC PAD - AASHTO DIV. II SPEC. 18.4.9.1
 ANCHOR BOLTS - SEE ANCHOR BOLT DETAIL

RECEIVED
 DEC 14 2006
 DRAWN BY: MRR
 CHECKED BY: MCM
 DATE: 11/16/06
 DATE: 12/8/06

VERMONT
 AGENCY OF TRANSPORTATION
 HUNTINGTON
 PROJECT BRO 1445(29)
 EAST STREET (T.H.#4) OVER
 HUNTINGTON RIVER
 BRIDGE NO. 42

COSMEC, INC.		70 SOUTH STREET WALPOLE, MA 02081	
SCALE: 3/16"=1"	DRAWN BY: MRR	CHECKED BY: MCM	
DATE: 11/16/06	DATE: 11/16/06	DATE: 12/8/06	
COSMEC FABRIC PAD BEARING			
CUSTOMER PARENT CONSTRUCTION INC.	S.O. NUMBER 60630	DRAWING NUMBER 5059	REV.

REV.	BY	DATE	CHK'D	DATE