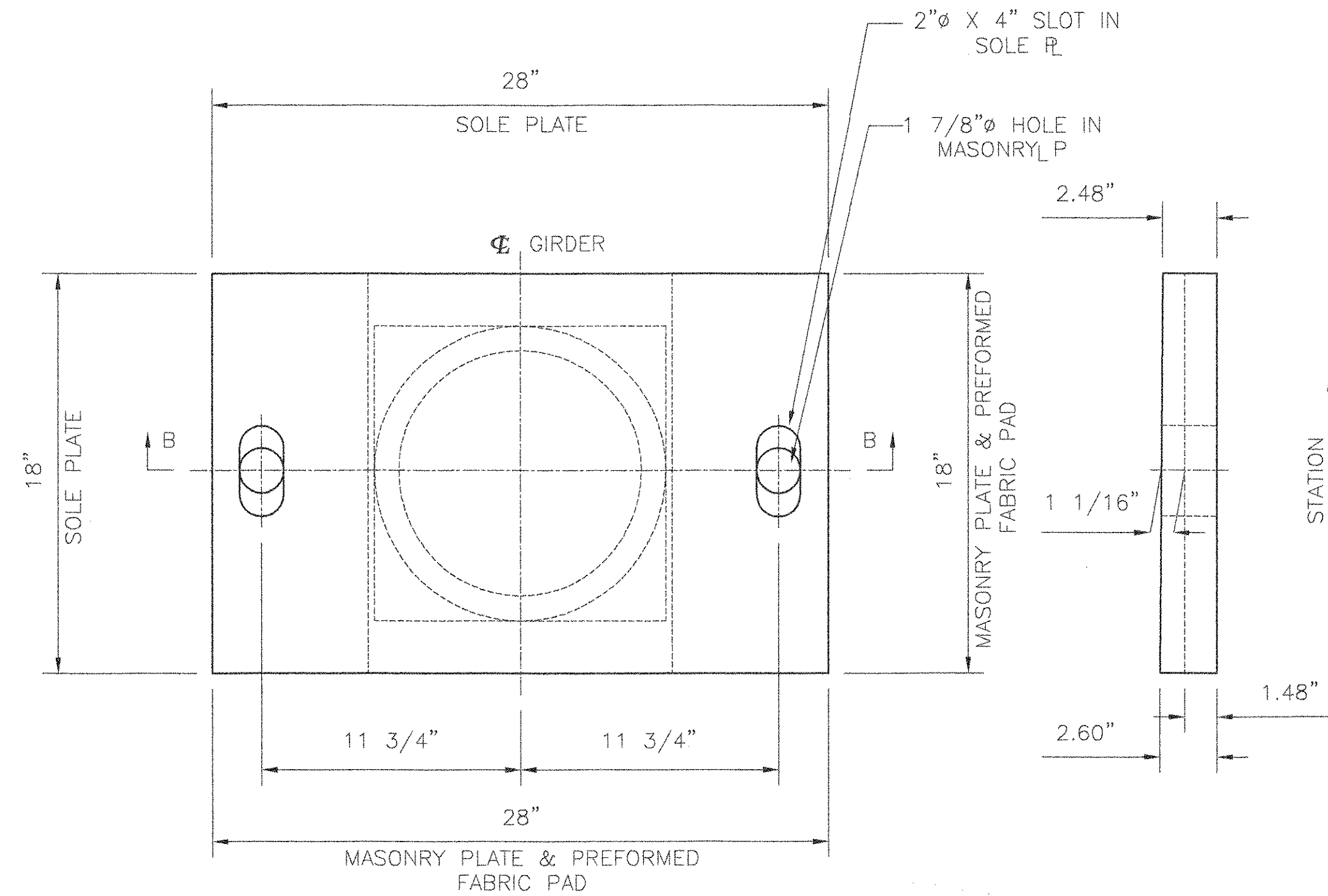
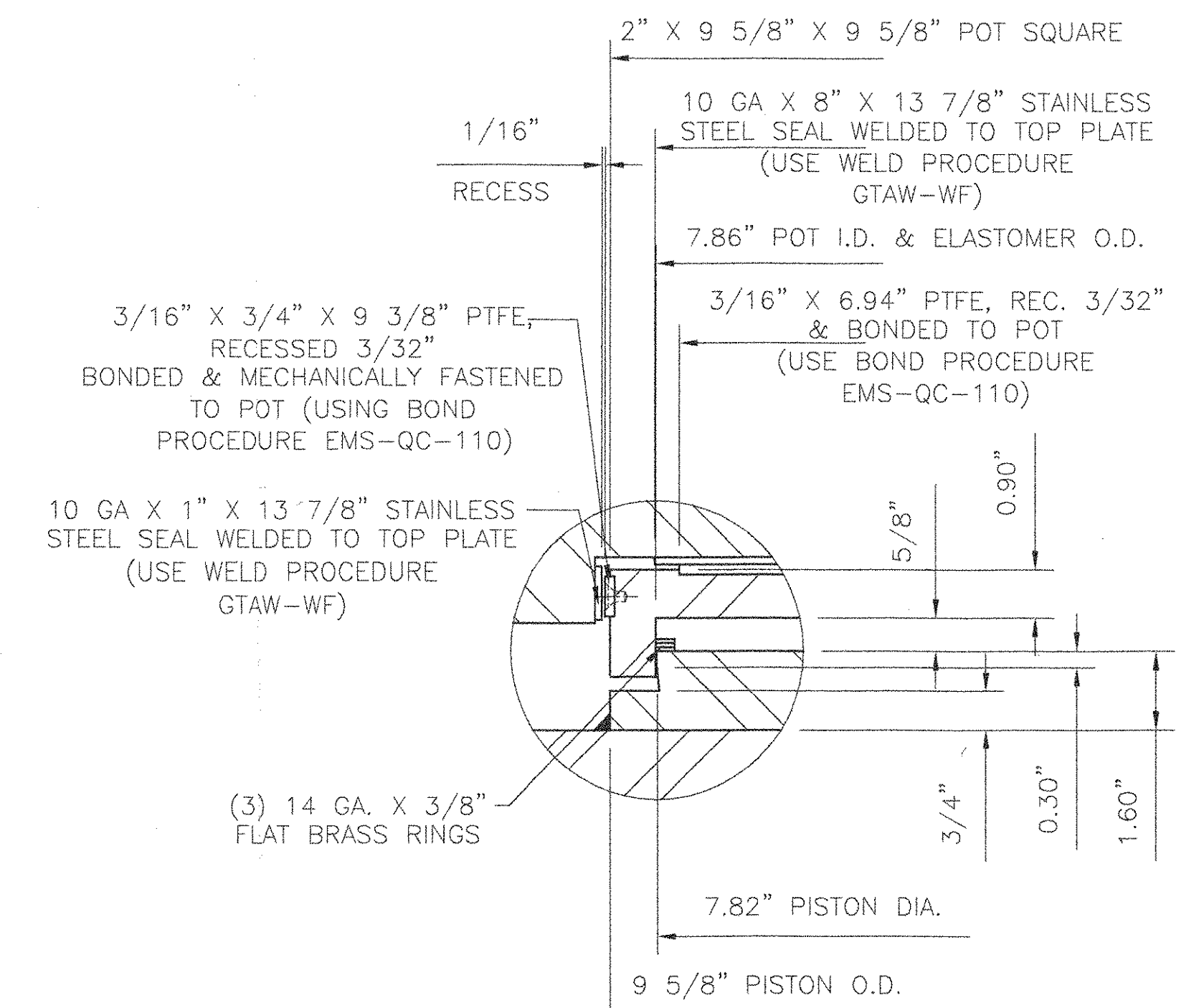


PLAN

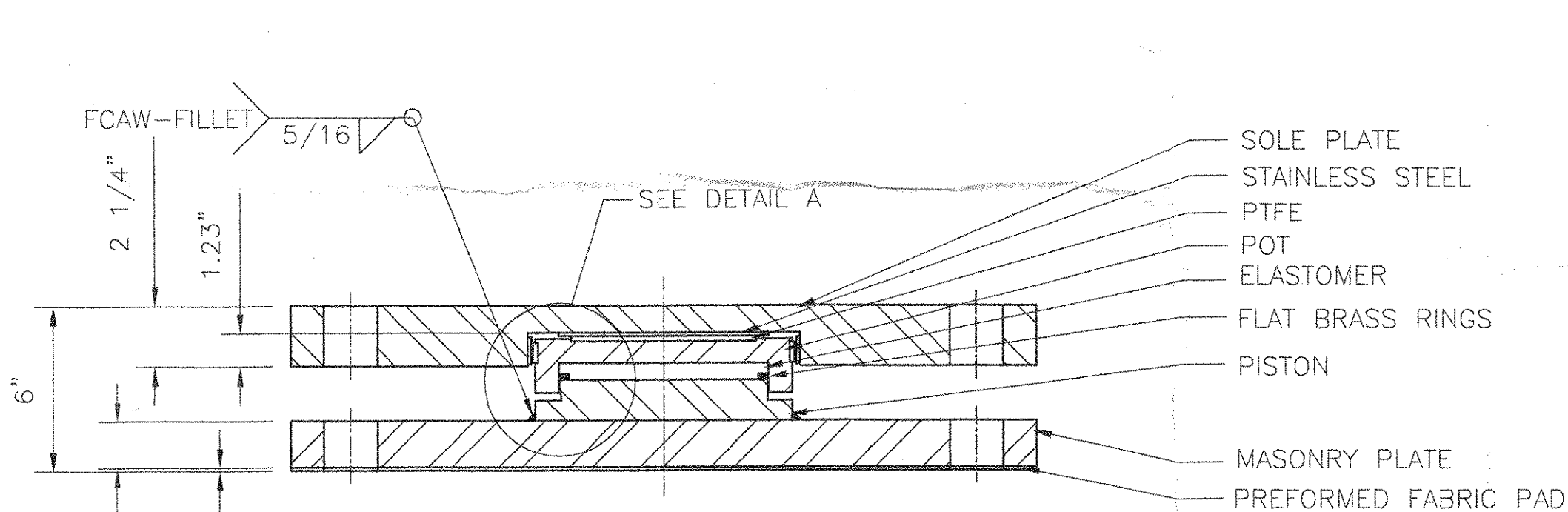


PLAN

SIDE ELEVATION



DETAIL A
N.T.S.



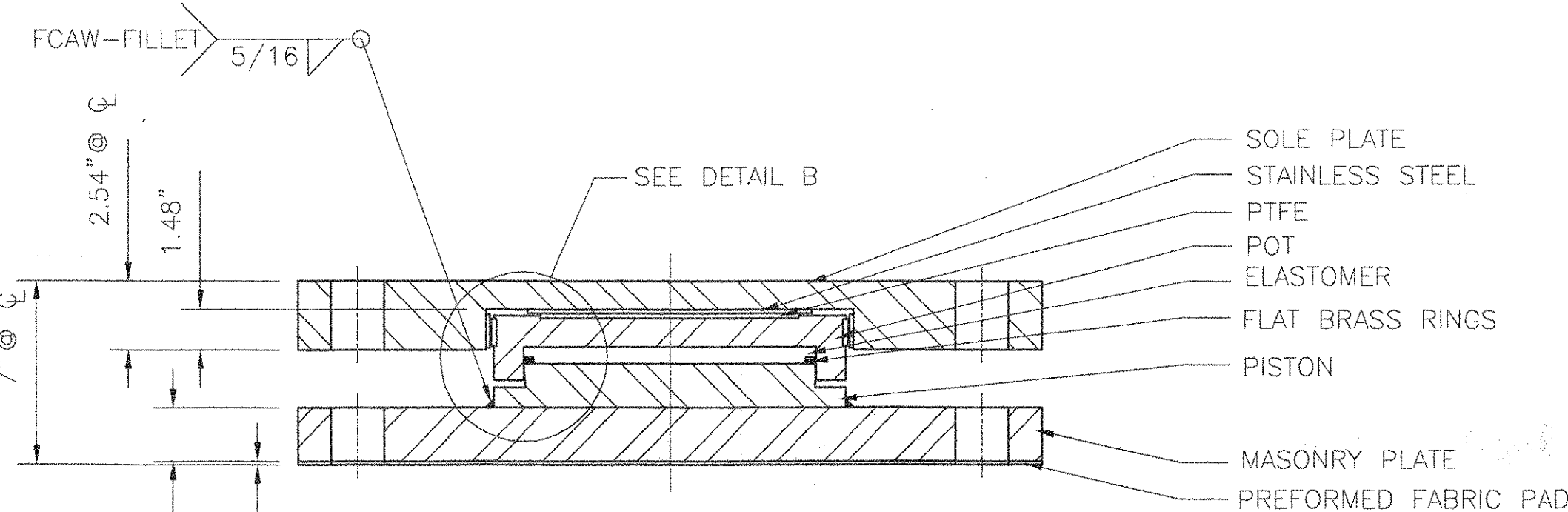
SECTION A - A

**COSMEC GUIDED
EXPANSION
POT BEARING**

QUANTITY: 2
LOCATION: ABUTMENT 1, GIRDERS 2 & 3
VERTICAL LOAD CAPACITY: 170 KIPS
TRANSVERSE LOAD CAPACITY: 34 KIPS
LONGITUDINAL LOAD CAPACITY: N/A
MOVEMENT CAPACITY: 2 1/2"
ROTATION CAPACITY: .020 RADIAN

BEARING NOTES

1. ALL MATERIALS USED IN THE FABRICATION OF THESE BEARINGS SHALL BE MADE IN THE U.S.A.
2. BEARINGS ARE TO BE SHIPPED AS COMPLETE UNITS, STEEL BANDED, AND SHALL BE WRAPPED TO PROTECT FROM MOISTURE AND DIRT DURING TRANSIT AND STORAGE.
3. LOCATION OF FABRICATION PLANT - 70 SOUTH STREET WALPOLE, MA 02081
4. COSMEC, INC. REPRESENTATIVE - MR. MATT McANDREWS (508) 668-6600
5. BEARINGS SHALL BE STORED IN A CLEAN, DRY, LEVEL UPRIGHT POSITION.
6. BEARINGS MUST NOT BE DISASSEMBLED
7. PROTECT PTFE & S.S. SURFACES FROM DIRT, WELD SPATTER, & ANY OTHER FOREIGN SUBSTANCES.



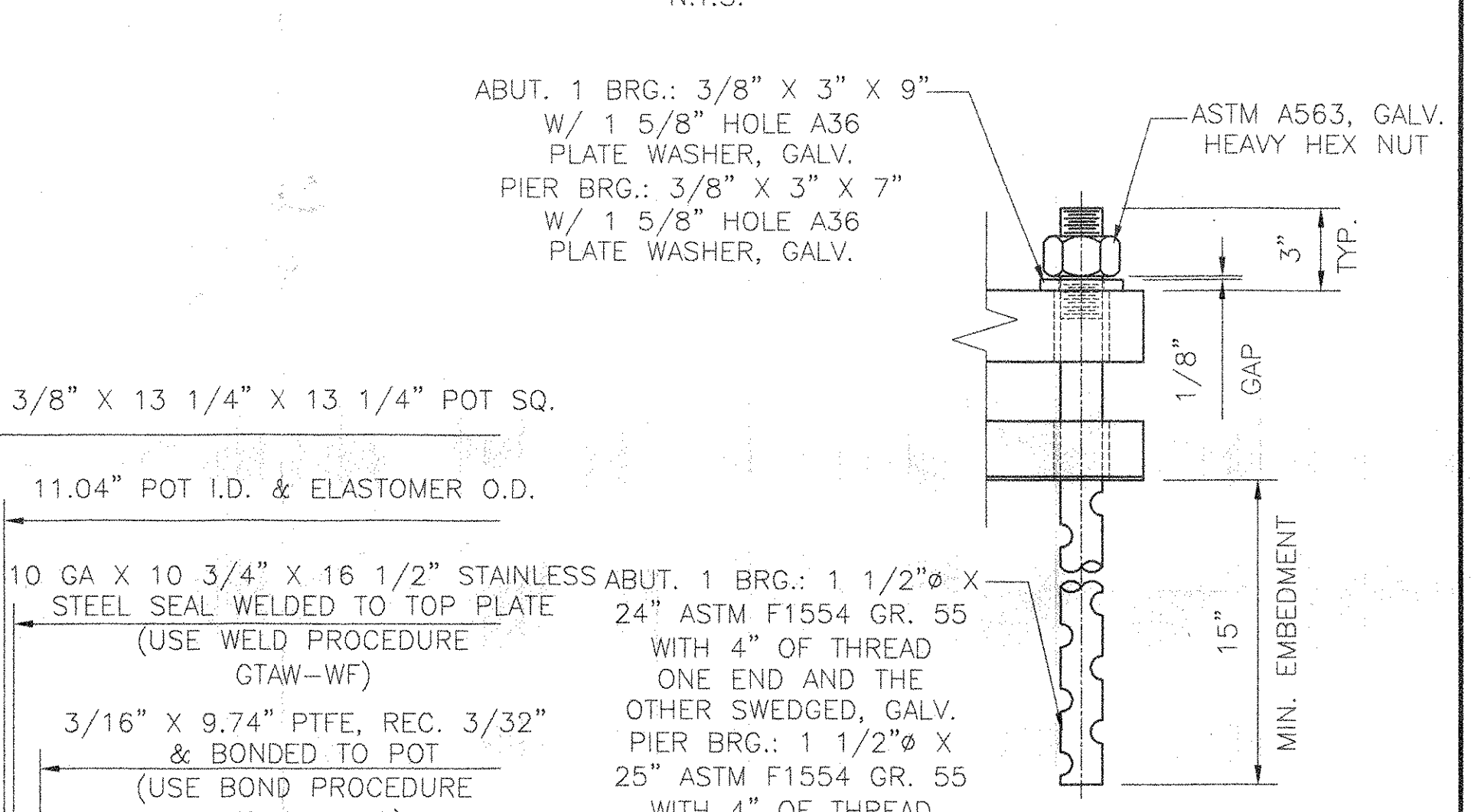
SECTION B - B

**COSMEC GUIDED
EXPANSION
POT BEARING**

QUANTITY: 2
LOCATION: PIER, GIRDERS 2 & 3
VERTICAL LOAD CAPACITY: 335 KIPS
TRANSVERSE LOAD CAPACITY: 67 KIPS
LONGITUDINAL LOAD CAPACITY: N/A
MOVEMENT CAPACITY: 1 1/2"
ROTATION CAPACITY: .015 RADIAN

MATERIALS

STEEL - ASTM A709 GRADE 36, ZINC METALLIZED
STAINLESS STEEL - ASTM A240 TYPE 304, WITH 10 RMS FINISH OR LESS
PREFORMED FABRIC PAD - AASHTO DIV. II SPEC. 18.4.9.1
ANCHOR BOLTS - SEE ANCHOR BOLT DETAIL
PTFE - ASTM D.4894 VIRGIN UNFILLED
ELASTOMER - AASHTO SHORE A DUROMETER 50 ± 5 DUROMETER
BRASS SEALING RINGS - ASTM B.36 HALF HARD



DETAIL B
N.T.S.

ANCHOR BOLT DETAIL

ABUT. 1 BRG.: 3/8" X 3" X 9"
W/ 1 5/8" HOLE A36
PLATE WASHER, GALV.
PIER BRG.: 3/8" X 3" X 7"
W/ 1 5/8" HOLE A36
PLATE WASHER, GALV.
ASTM A563, GALV.
HEAVY HEX NUT
3" TYP.
1/8" GAP
15" MIN. EMBEDMENT

**VERMONT
AGENCY OF TRANSPORTATION
HUNTINGTON
PROJECT BRO 1445(29)
EAST STREET (T.H.#4) OVER
HUNTINGTON RIVER
BRIDGE NO. 42**

COSMEC, INC.		70 SOUTH STREET WALPOLE, MA. 02081	
SCALE: 3/16"=1"	DRAWN BY: MRR	CHECKED BY: MCM	
DATE: 11/16/06	DATE: 11/16/06	DATE: 12/8/06	
COSMEC POT BEARINGS			
CUSTOMER PARENT CONSTRUCTION INC.	S.O. NUMBER 60630	DRAWING NUMBER 5057	REV.

RECEIVED
CHK'D BY: *[Signature]*
DEC 14 2006
RESUBMIT: _____ APPROVED: *[Signature]*
BY: *[Signature]* DATE: 12/27/06

REV.	BY	DATE	CHK'D	DATE