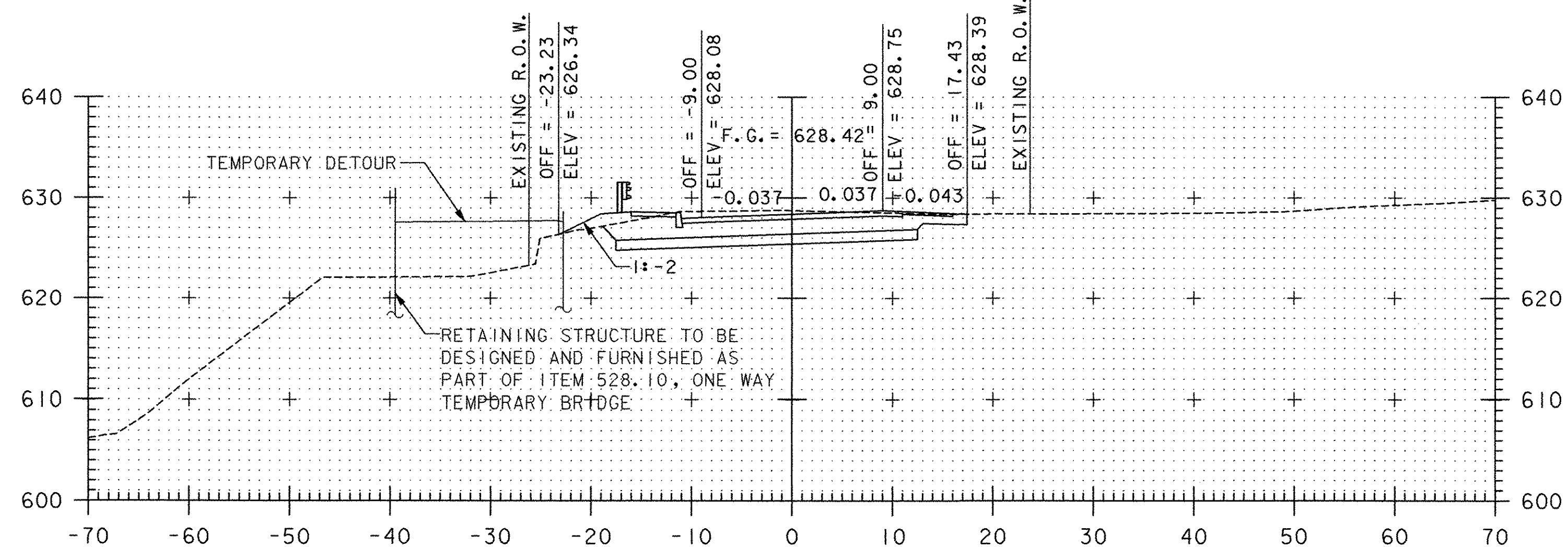
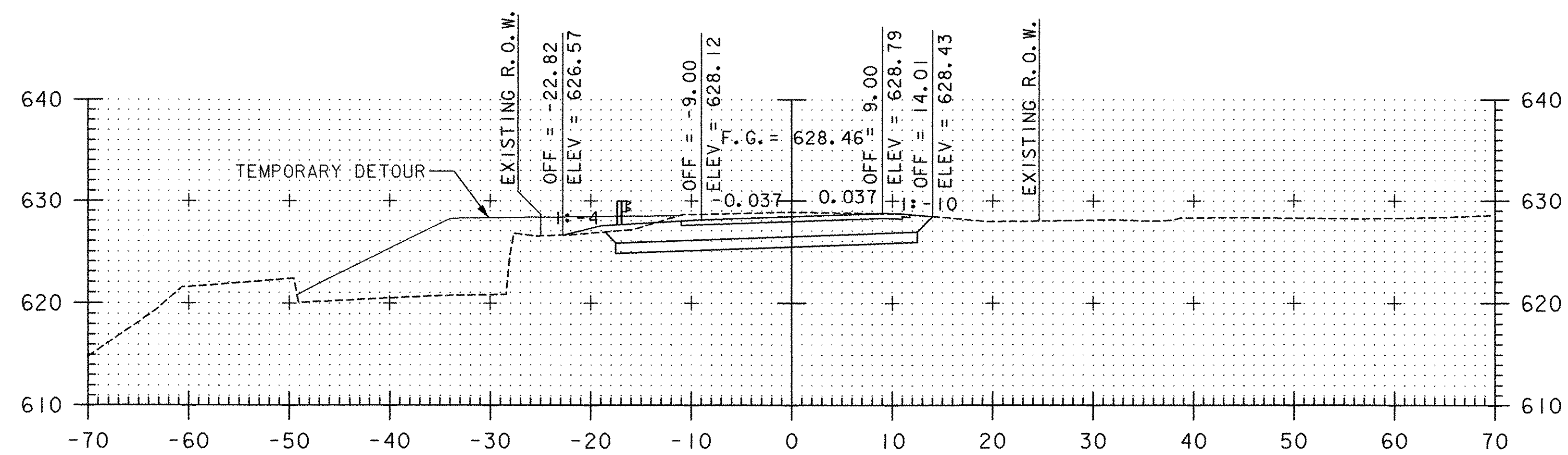


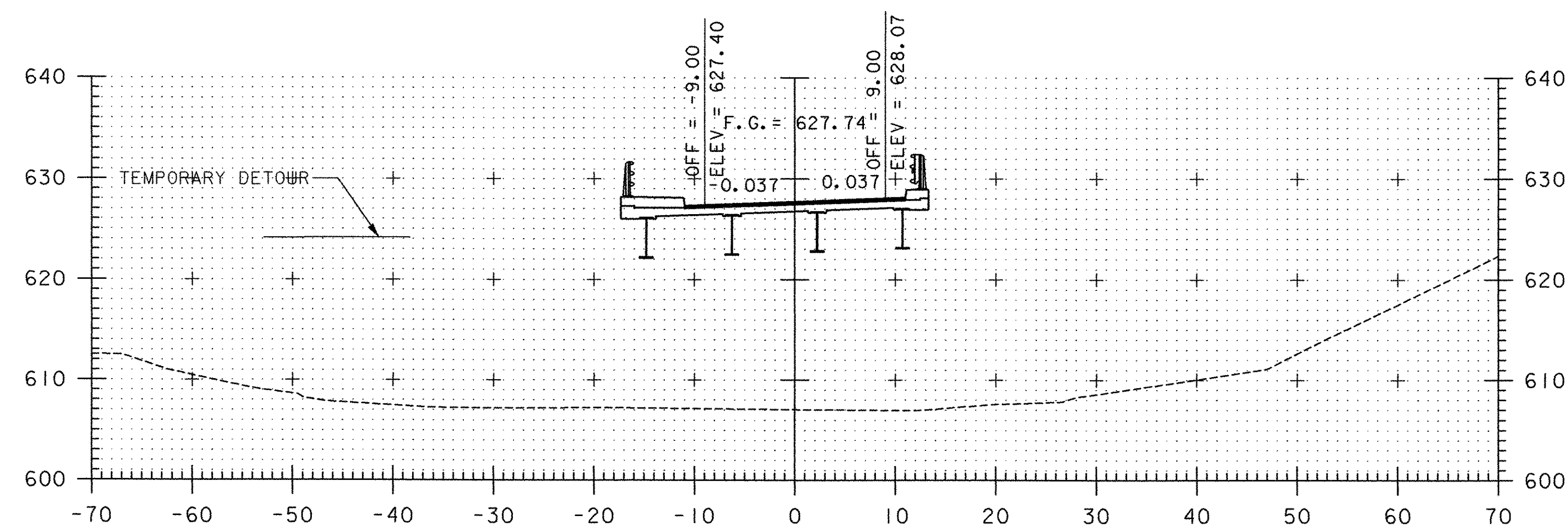
9+00



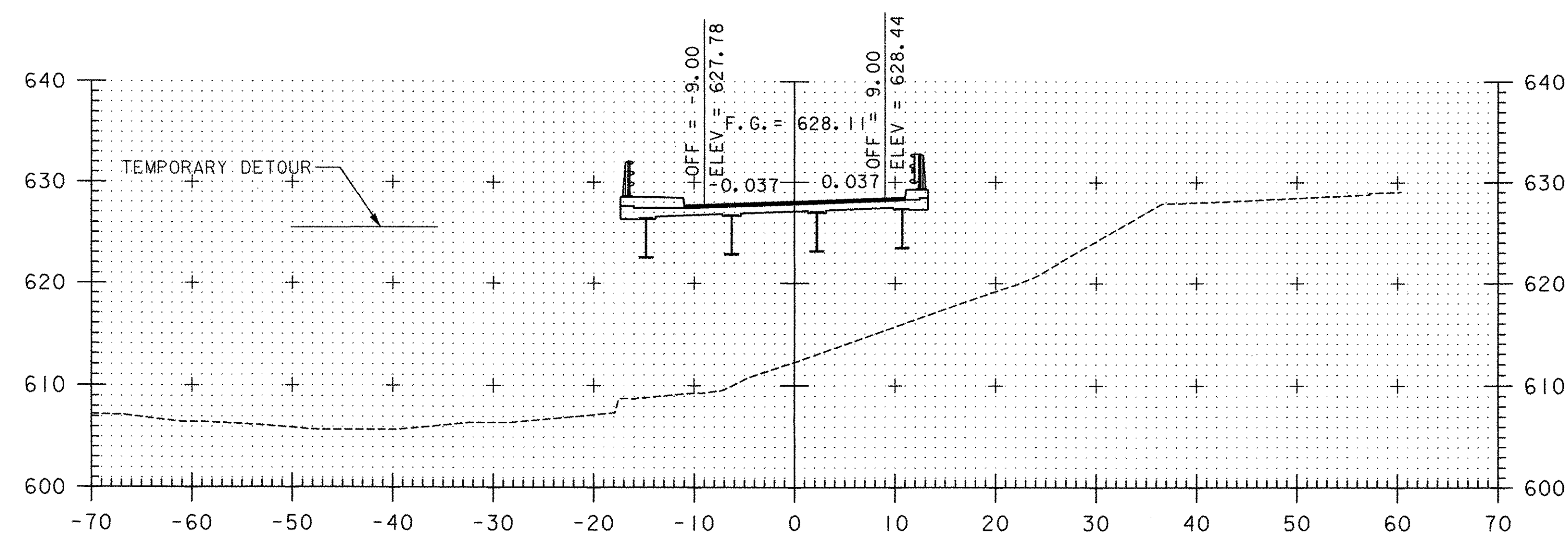
8+75



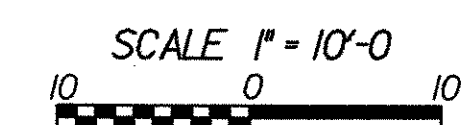
8+50



10+00



9+50



STA. 8+50 TO STA. 10+00



PROJECT NAME: HUNTINGTON  
PROJECT NUMBER: BRO 1445 (29)

FILE NAME: ...Cadd\Trans\z01j302xsl.dgn  
PROJECT LEADER: M. CHENETTE  
DESIGNED BY: D. ALTERI  
ROADWAY CROSS SECTION

PLOT DATE: 1/12/2006  
DRAWN BY: J. OAKMAN  
CHECKED BY: D. ALTERI  
SHEET 57 OF 63