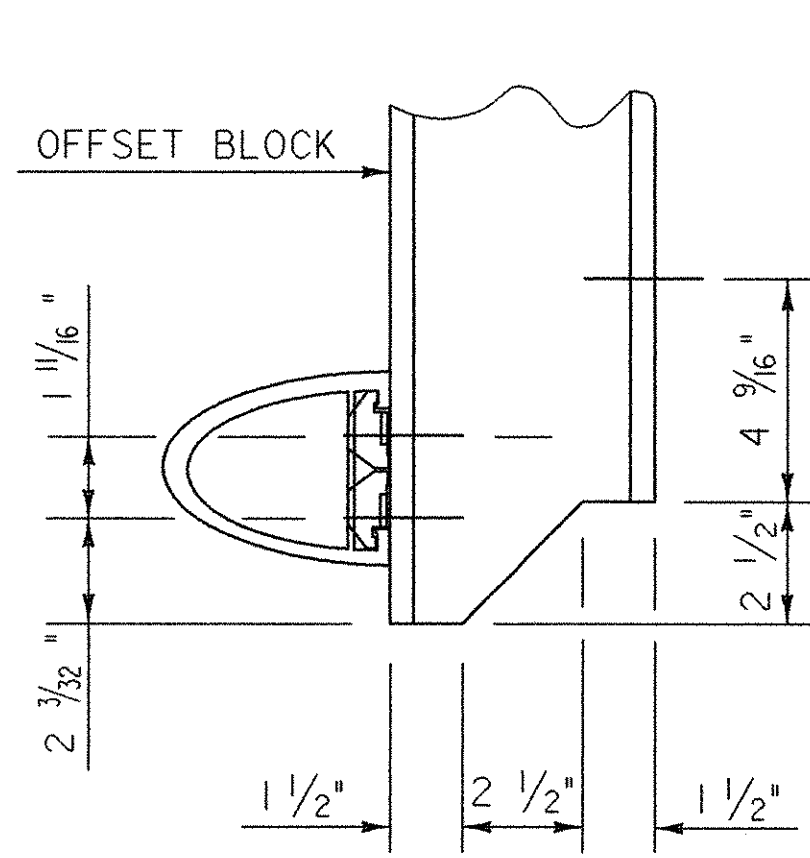
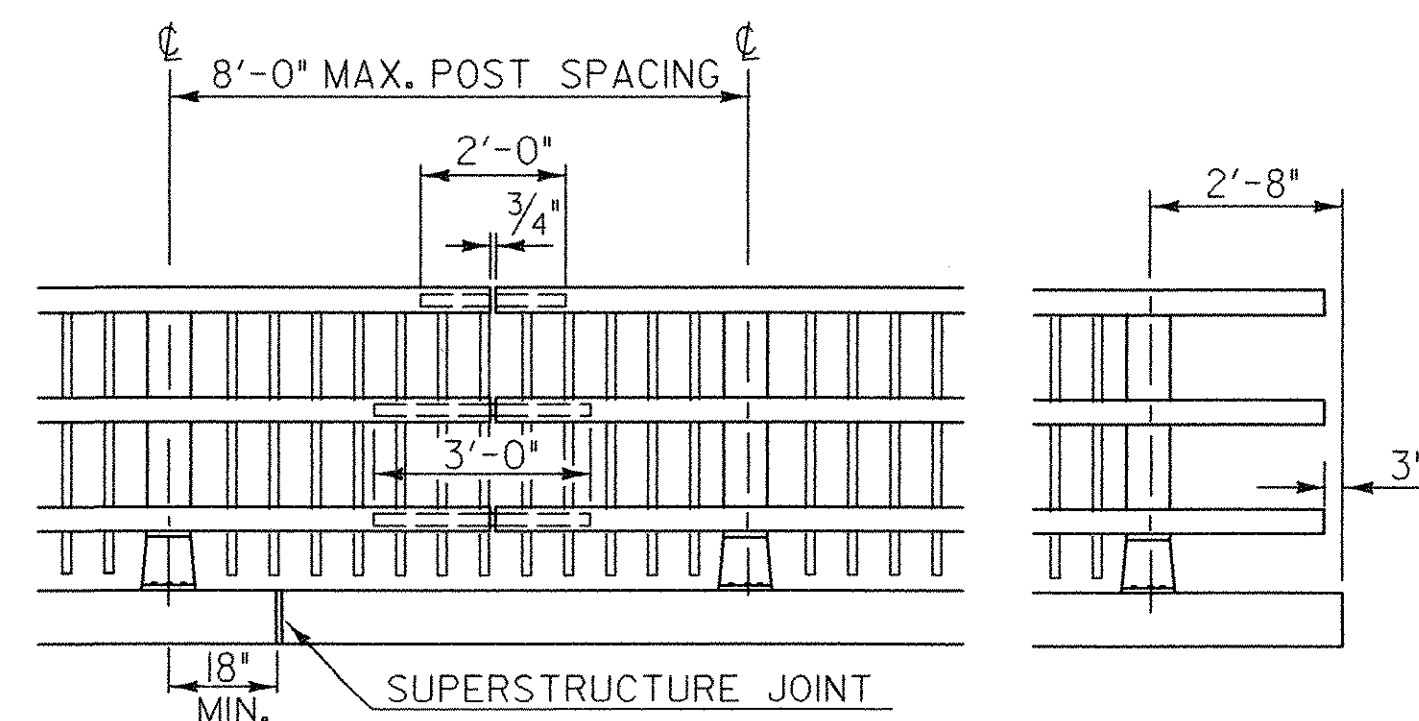


POST SIDE VIEW

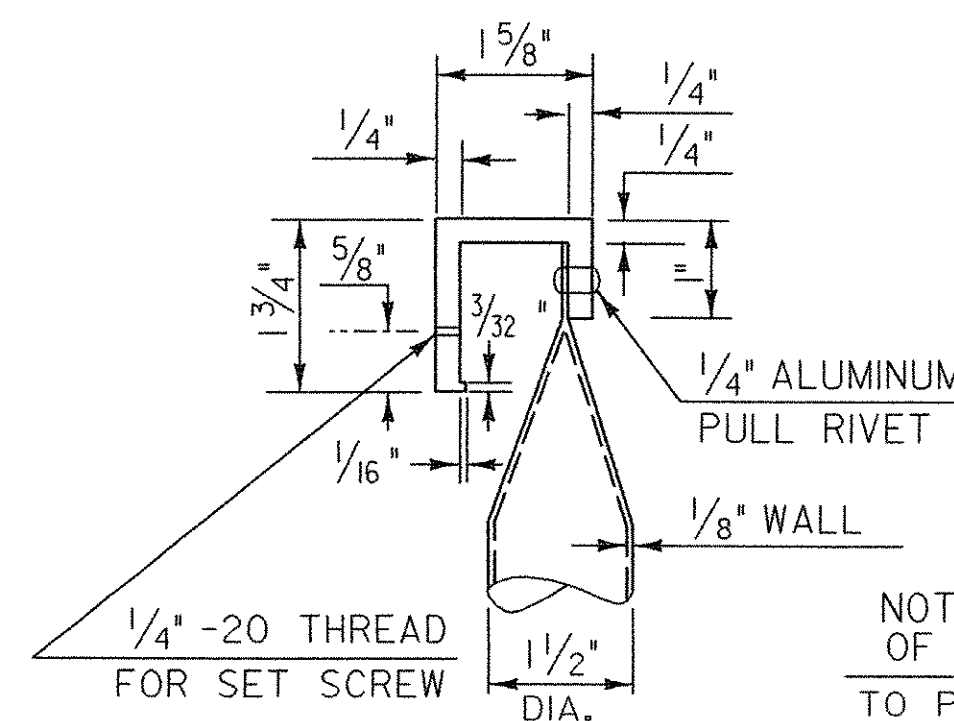


COPING DETAIL



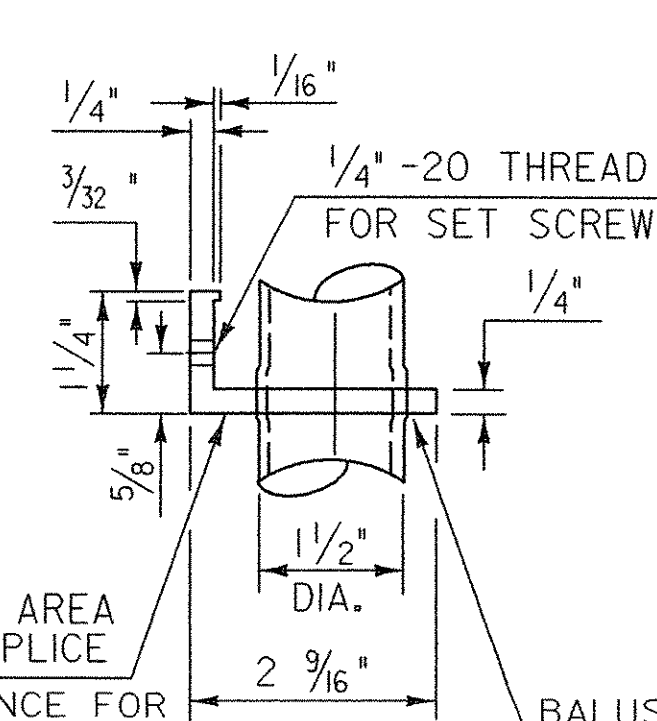
FRONT ELEVATION OF THREE RAIL WITH SPINDLES

NOTE : RAIL POSTS ARE TO BE SET NORMAL TO GRADE UNLESS OTHERWISE DESIGNATED ON BRIDGE PLANS. ALL DIMENSIONS ARE TYPICAL UNLESS OTHERWISE DESIGNATED ON BRIDGE PLANS.

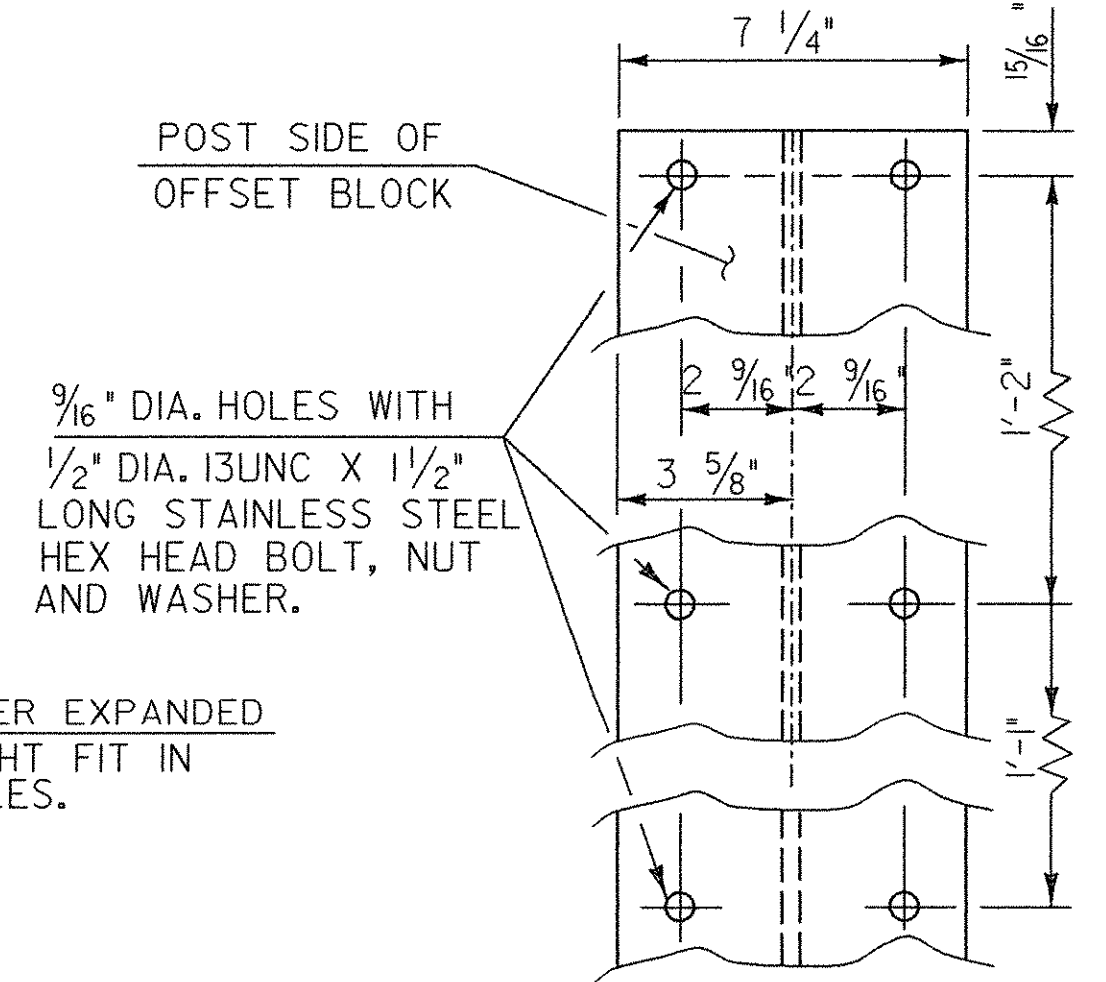


DETAIL A

NOTCH BRACKET IN AREA OF BARRIER RAIL SPLICE TO PROVIDE CLEARANCE FOR BOLT HEADS USED IN SPLICE (BRACKET TO BE NOTCHED IN FIELD)

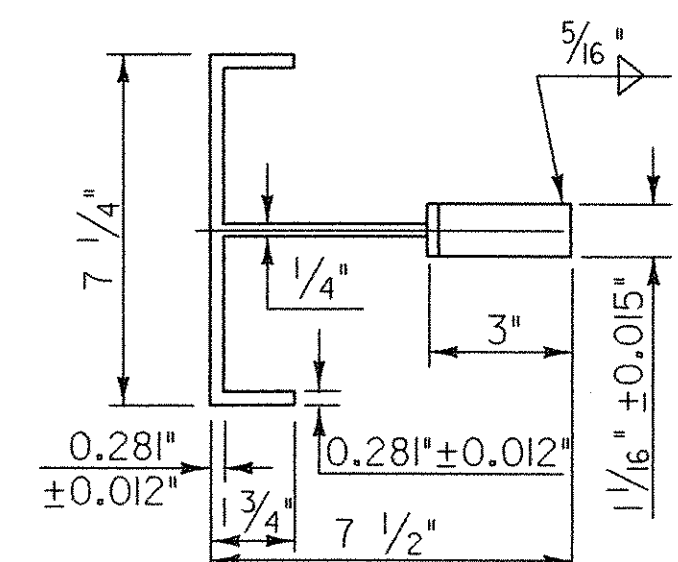


DETAIL B



OFFSET BLOCK CONNECTION

ALLOWABLE STRESSES:
RAILING : 21,000 PSI TENSION
22,000 PSI COMPRESSION
POSTS : 17,000 PSI TENSION
19,000 PSI COMPRESSION



POST PLAN VIEW

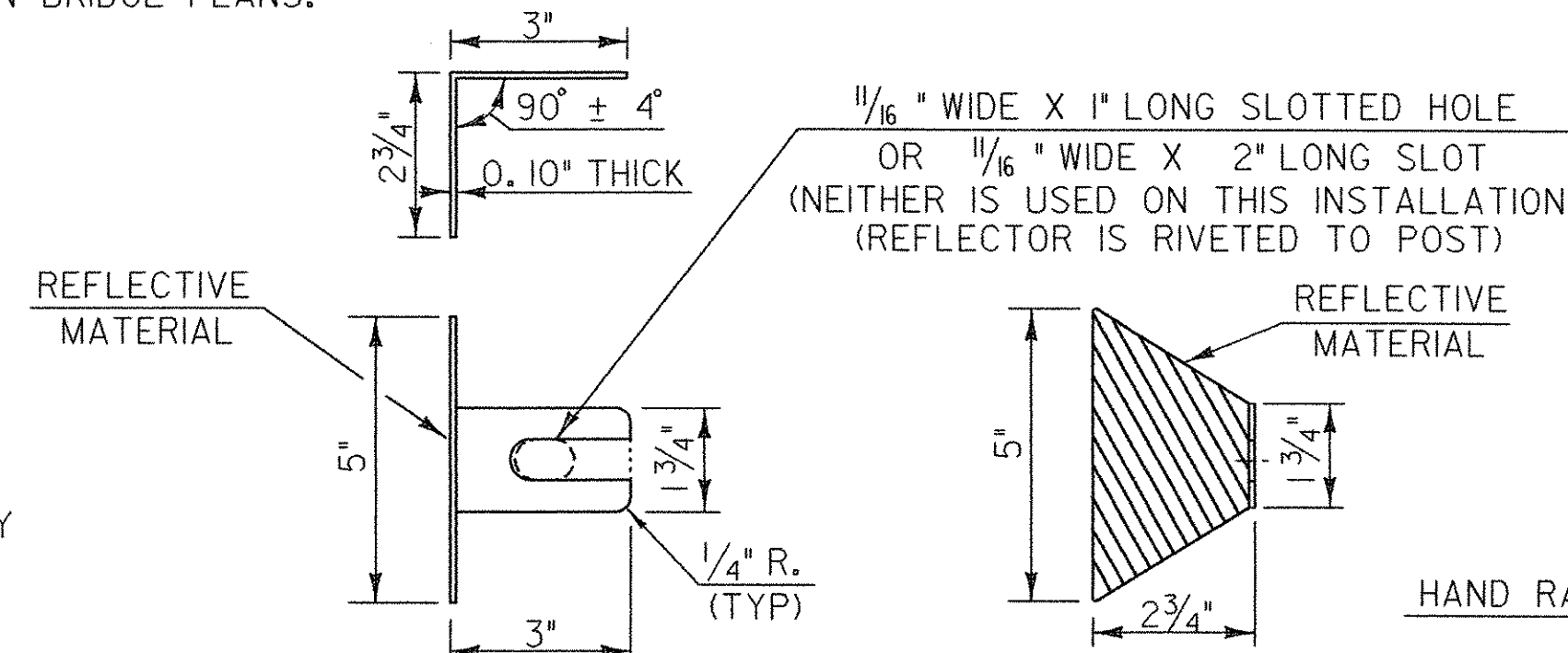
THIS REFLECTORIZED ALUMINUM DELINEATOR IS TO BE ERECTED EVERY 30 FEET (OR CLOSEST POST) WITH 2 NO. 8 X 3/4" SELF-TAPPING SCREWS.

DELINEATORS SHALL MEET SPECIFICATION REQUIREMENTS FOR ASTM B209 ALLOY 5052-H32.

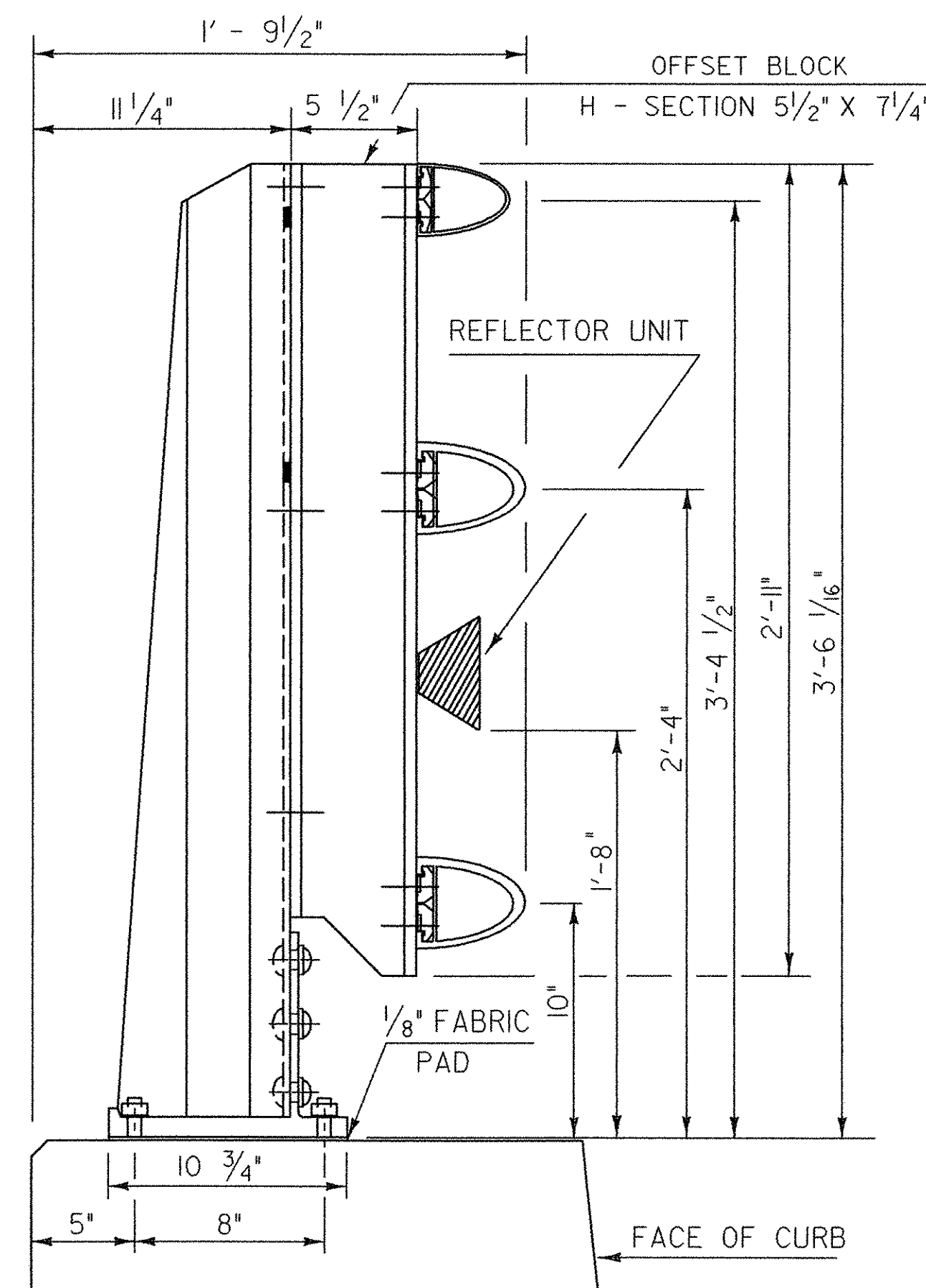
REFLECTIVE MATERIAL SHALL MEET THE REQUIREMENTS OF SUBSECTION 750.08 AND SHALL BE OF ENCAPSULATED LENS SILVER OR AMBER. AMBER IS TO BE INSTALLED ON THE DRIVER'S LEFT AND SILVER ON THEIR RIGHT.

ON BRIDGES WITH A SIDEWALK, DELINEATORS ARE NOT TO BE INSTALLED ON THE SIDEWALK SIDE OF THE BRIDGE (I.E. DELINEATORS INSTALLED ONLY ON THE CURB SIDE AND ON THE APPROACH RAIL ON THE CURB SIDE)

PAYMENT SHALL BE INCIDENTAL TO ALL OTHER ITEMS.

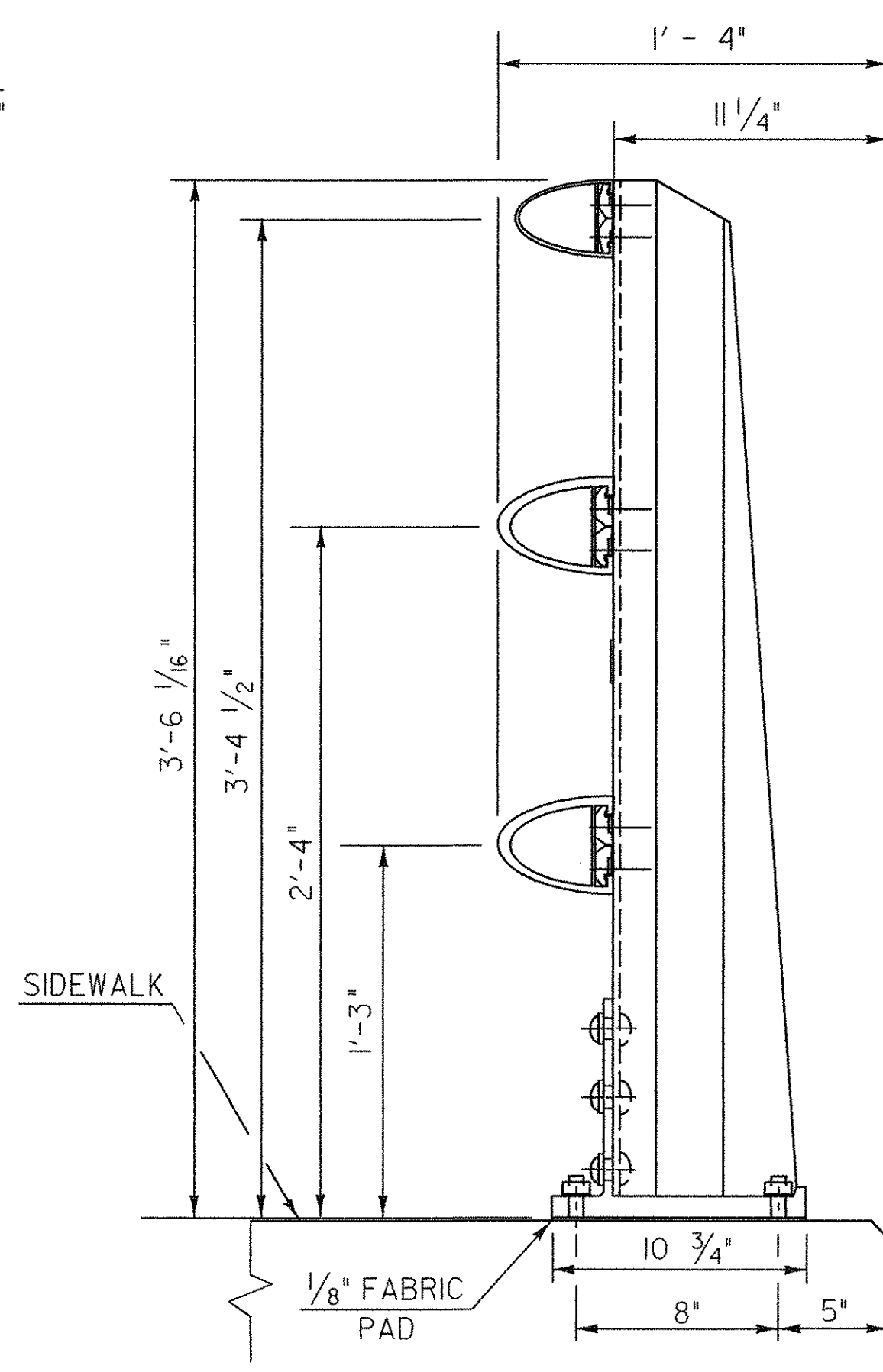


REFLECTOR DETAILS

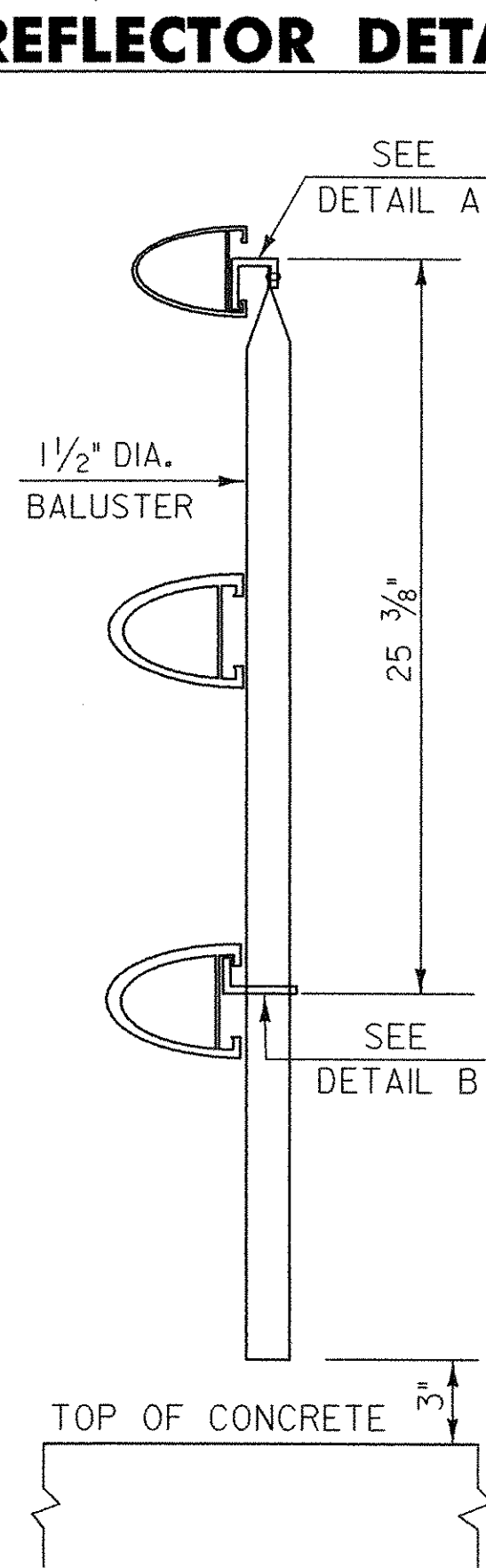


SIDE ELEVATION OF THREE RAIL TO BE USED ON CURB SIDE

RAIL POST DETAILS ON SUPERSTRUCTURE

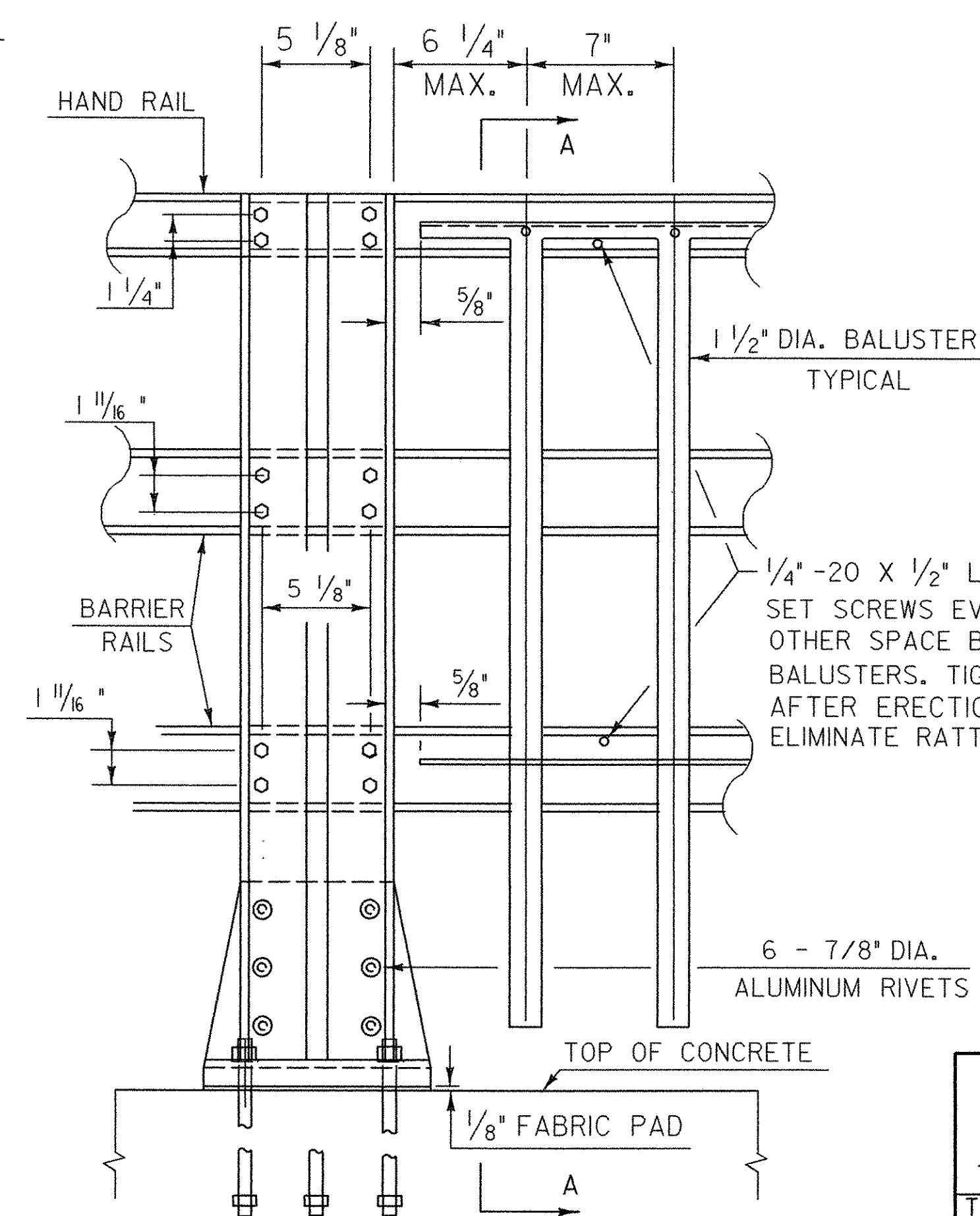


SIDE ELEVATION OF THREE RAIL TO BE USED ON CURB SIDE

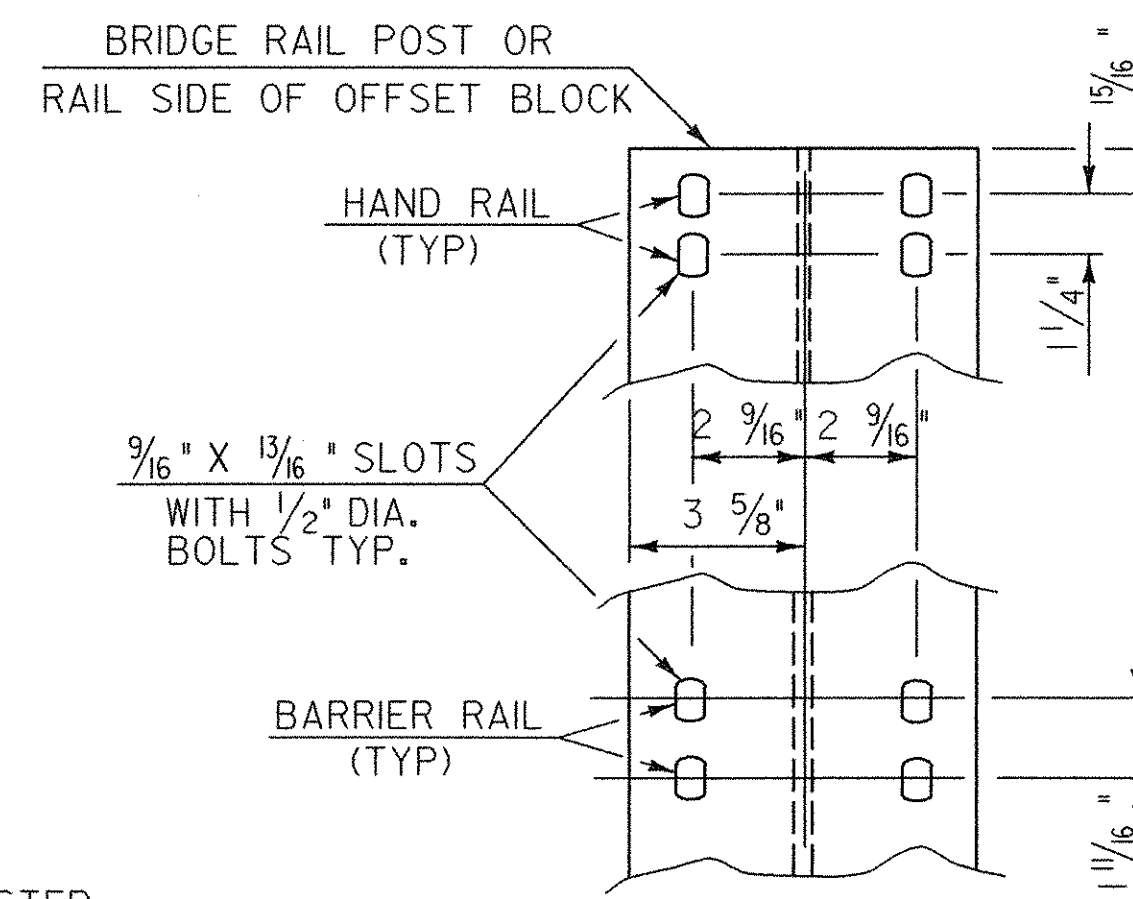


SECTION AA

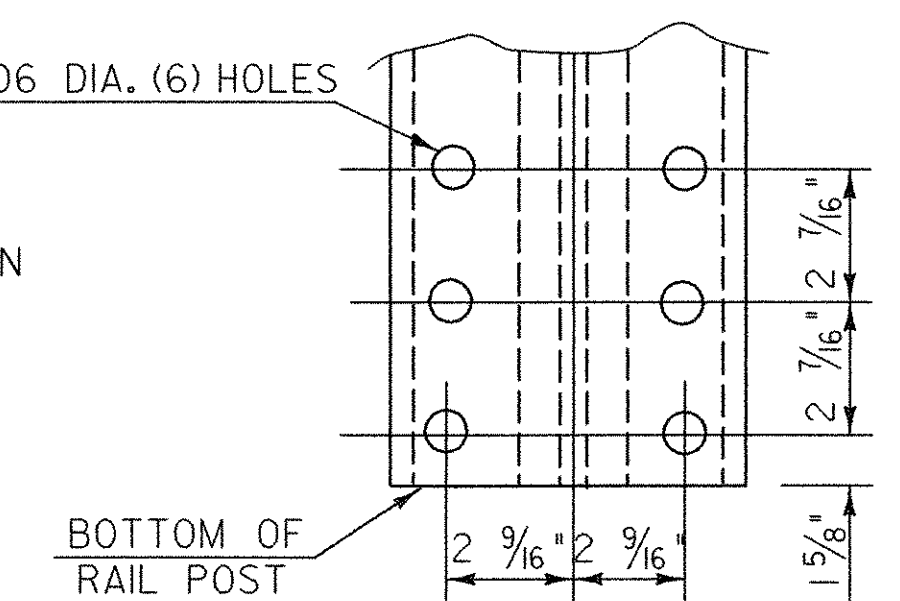
DETAILS OF SPINDLES FOR ALUMINUM RAILING



OUTSIDE ELEVATION OF THREE RAIL POST & SPINDLES



RAIL CONNECTION



POST BASE BOLT HOLE DETAILS

| | | | |
|--|----------------------|--------------------------|----------------|
| STATE OF VERMONT AGENCY OF TRANSPORTATION | | | |
| Town Of | HUNTINGTON | Bridge No. | 42 |
| Highway No. | T.H. 4 | Log Sta. | |
| | | Surv. Sta. | |
| EAST STREET (T.H. #4) OVER HUNTINGTON RIVER | | | |
| ALUMINUM BRIDGE RAIL DETAILS | | | |
| Designed By | VTrans | Drawn By | VTrans |
| Checked By | Date | Bridge Design Supervisor | Date |
| M. CHENETTE | 08/05 | M. CHENETTE | 09/05 |
| PROJECT | HUNTINGTON | PROJECT NO. | BRO 1445 (29) |
| DH Dgn.: ...Cadd\Trans\z01j302airrail.dgn | Plot Date: 1/12/2006 | Bridge Sheet No. | Sheet 50 of 63 |