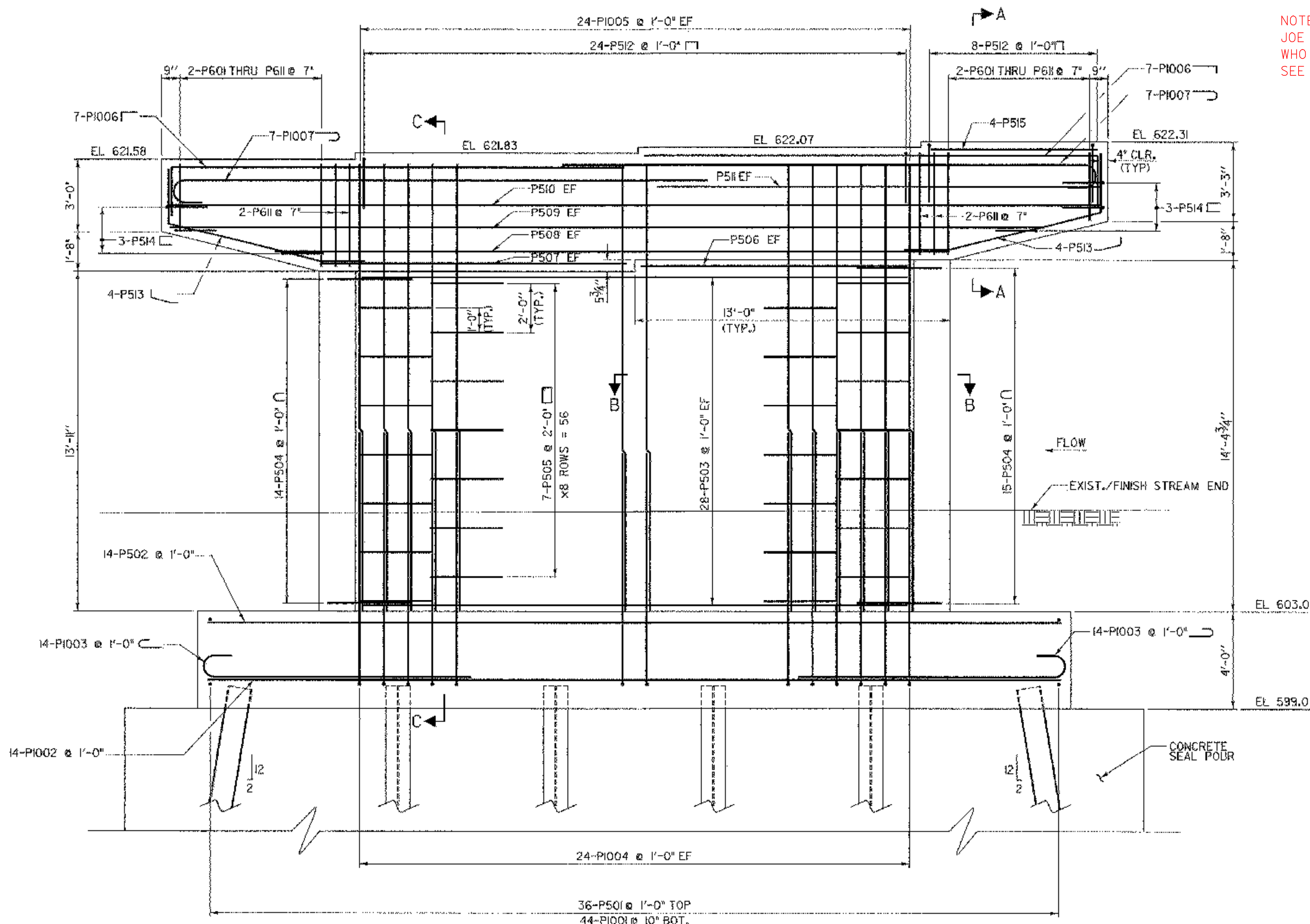
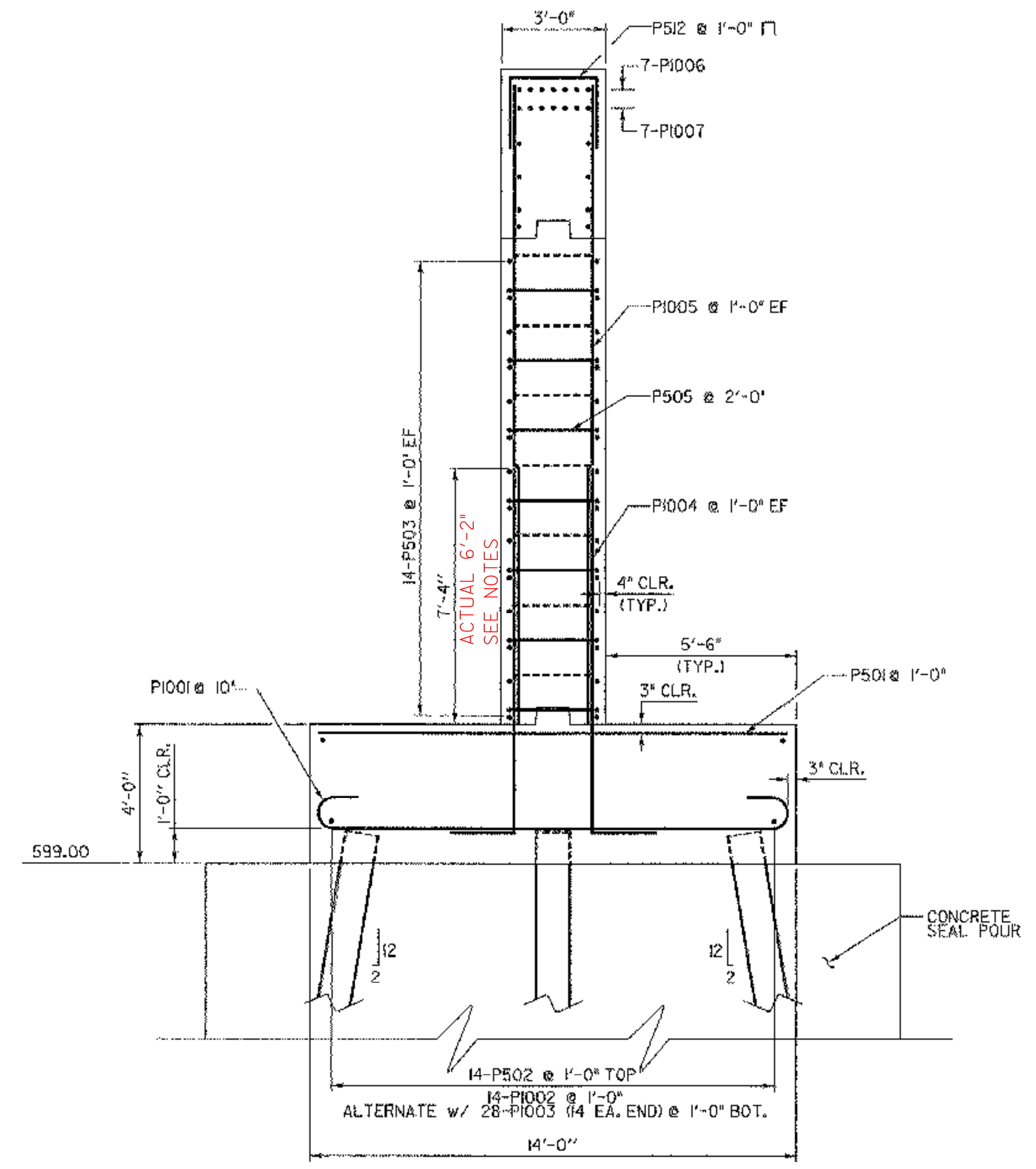


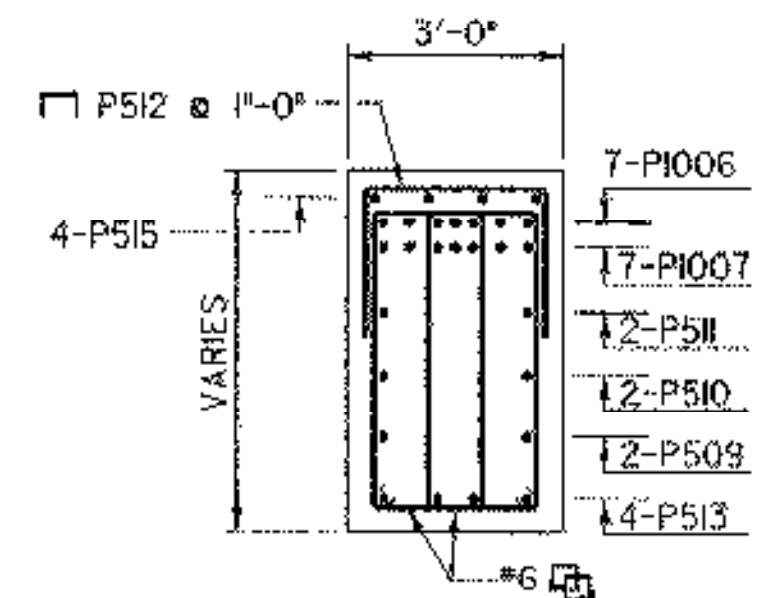
NOTES:
 JOE L. IDENTIFIED DISCREPANCY, CALLED MICKE CHEVETTE,
 WHO OK'D STARTER LENGTH DUE TO CLOSE DOWEL SPACING.
 SEE BRIDGE CORRESPONDANCE FILE.



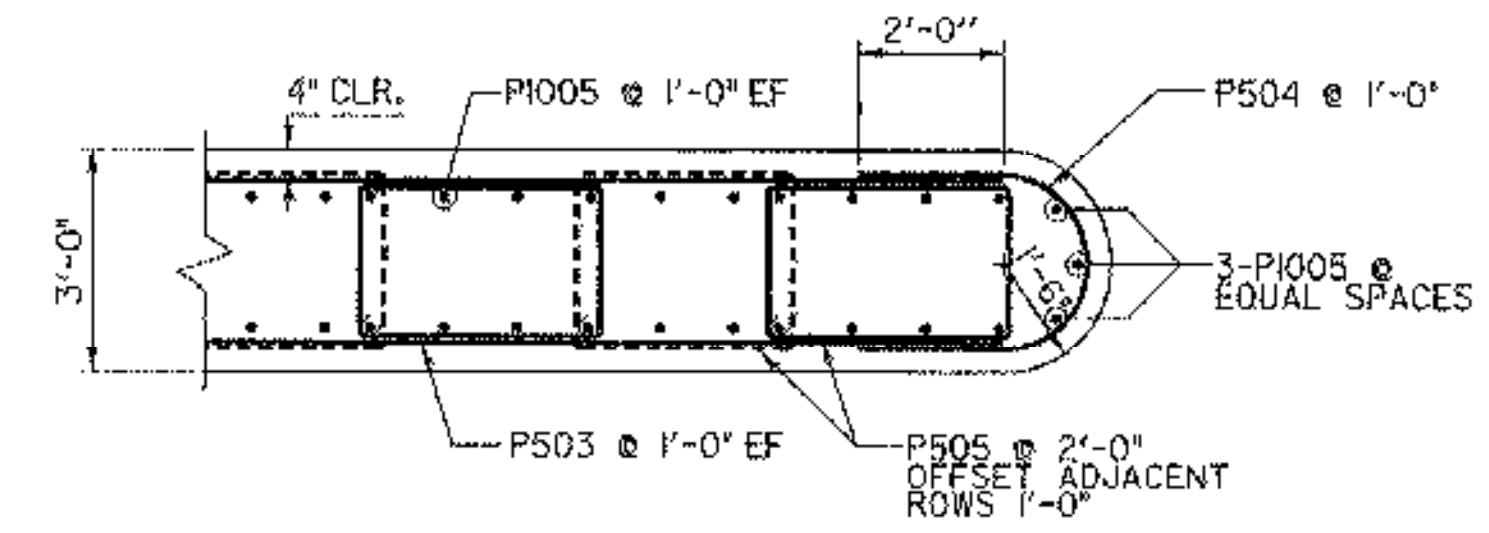
ELEVATION
 SCALE 3/8" = 1'-0"
 1 0 1 2 3 4



SECTION C-C
 SCALE 3/8" = 1'-0"
 1 0 1 2 3 4



SECTION A-A
 SCALE 3/8" = 1'-0"
 1 0 1 2 3 4



SECTION B-B
 SCALE 3/8" = 1'-0"
 1 0 1 2 3 4

**STATE OF VERMONT
 AGENCY OF TRANSPORTATION**

Town Of	HUNTINGTON	Bridge No.	42
Highway No.	T.H. 4	Log Sta.	
		Surv. Sta.	
EAST STREET (T.H. #4) OVER HUNTINGTON RIVER			
PIER DETAILS 2			
Designed By	M. CHENETTE	Drawn By	J. SOTER
Checked By	G. BOGUE	Date	06/05
		Bridge Design Supervisor	M. CHENETTE
		Date	09/05
PROJECT	HUNTINGTON	PROJECT NO.	BRO 1445 (29)
DH Dgnr: ...Cadd\Trans\201302pter2.dgn		Plot Date	1/12/2006
Bridge Sheet No.		Sheet	49 of 63

